

AL15SM / AL15 LED PANEL AREA LIGHT

AL15SM / AL15LEDP

PROJECT: _____ TYPE: _____ DATE: _____

CATALOG NUMBER: _____



AL15SMLEDPBLT
(Aluminum Only)



AL15LED52PBAR
(Brass Version)

CATALOG ORDER LOGIC

EXAMPLE: **AL15LEDPBLT**

FIXTURE

AL Area Light

TYPE

- 15 Standard Version Tiki Hat (8.00" dia.)
- 15SM Small Version Tiki Hat (5.75" dia.)—Aluminum Only

12 VOLT LED WATT SOCKET KELVIN LUMEN

12 VOLT LED	WATT	SOCKET	KELVIN	LUMEN
<input type="checkbox"/> LEDP	4w	None	3000K	480lm
<input type="checkbox"/> LEDP52	4w	None	5200K	480lm

120V OPTION

- 120V

120V includes external LED driver. Must be installed in a FA26 mounting post or approved sealed weatherproof junction box.

OPTIONS

- 25F 25 Feet Lead Wire (12V Only)
- NS No Stake

STEM OPTIONS

- 9" 9.00" Standard Stem Length (SM Version)
- 15" 15.00" Standard Stem Length

- Custom Length _____ (S)
(State Custom Length On the Line Above)

FINISH (STANDARD FINISHES LISTED)

- BLT Aluminum: Black Texture
- BRT Aluminum: Bronze Texture
- BRS Brass: Unfinished

Optional powder coat & acid finishes available. See page 3 for more information.

SHIP WEIGHT / CARTON DIMENSIONS

Aluminum 6061	3.0lbs	16" x 6" x 6" / 12" x 6" x 4" (SM)
Brass C27200	7.0lbs	16" x 6" x 6"

ADDITIONAL INFORMATION

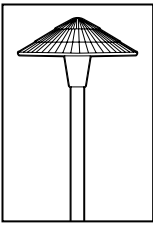
- Plug-N-Play LED options available.
See AL15 spec sheet for more information

IP65



FOCUS INDUSTRIES INC.
25301 COMMERCENTRE DRIVE
LAKE FOREST, CA. 92630
949.830.1350 | TOLL FREE: 888.882.1350
WWW.FOCUSINDUSTRIES.COM

DESIGNED. 
MANUFACTURED. 
IN THE USA.



AL15SM / AL15 LED PANEL AREA LIGHT

AL15SM / AL15LEDP

PROJECT:

TYPE:

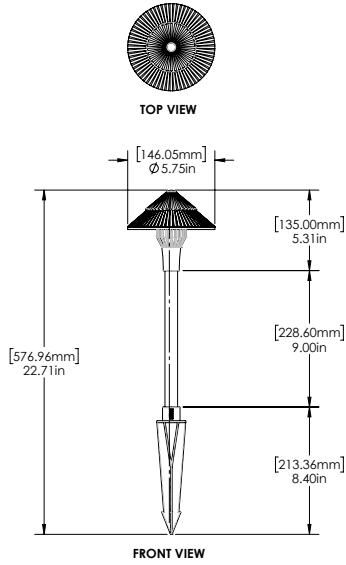
DATE:

CATALOG NUMBER:

DIMENSIONS

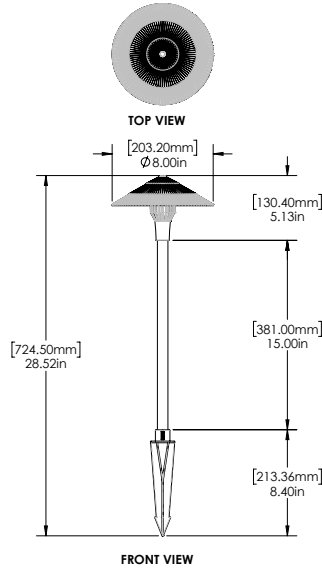
Dimensions Shown AL15SM with FA03 Stake

Aluminum Version Only



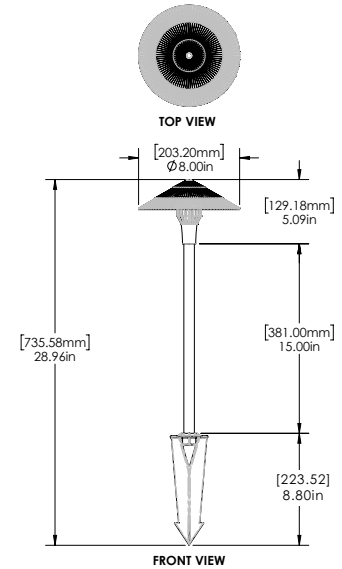
Dimensions Shown AL15 with FA03 Stake

Aluminum Version



Dimensions Shown AL15 with FA03LG Stake

Brass Version



SPECIFICATIONS

INTERNALS	VOLTAGE WIRING	12V: Standard 48.00" Black AWG 2/C, SPT1-W, 300V UL (Power with magnetic transformer) 120V: Standard 24.00" 18g, black, white, green (ground) (Power with line voltage)
	DRIVER	12V: HW12535012LED – 4.9W 350mA Led Driver, 12V (9V-15V) AC/DC IN, 12V DC OUT, DIMMABLE 120V: HW126350120LED – 5W 350mA Led Driver, 120-277V IN, 12V DC OUT, DIMMABLE 120V: 25' max distance to fixture, must be sealed in FA26 or weatherproof Jbox
	CONNECTOR	Close ended cimp cap nylon, 22-14 AWG, Clear
EXTERNALS	HAT	Die cast 6061 aluminum or C27200 brass china hat 5.75" dia. (SM Version), 8.00" dia. (Regular Version)
	HUB	Die cast aluminum or brass LED center hub
	LENS	Clear acrylic tube lens
	STEM	Extrusion, aluminum 6061, round sch 40 pipe, .840" OD x .622" ID x 9.00" L x .109" W (SM Version), 15.00" L (Regular Version) Extrusion, brass, C27200, round sch 40 pipe, .840" OD, .622" ID x 15.00" L x .109" W (Regular Version)
	MOUNT (See page 3- for more options)	12V: Aluminum version: FA03 ABS black stake, 1/2-14 NPS tapped 12V: Brass version: FA03LG ABS large black stake, 1/2-14 NPS tapped 120V: No mounting included
FINISH (See page 3- for more options)	Aluminum: Standard BLT/BRT- Black or Bronze Texture polyester powder coat Brass: Standard Unfinished	
LISTINGS	IP65. IES files available for download.	



Click Icon to Download

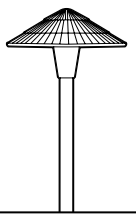
IP65



landscape • architectural • hospitality • entertainment • illumination

FOCUS INDUSTRIES INC.
25301 COMMERCENTRE DRIVE
LAKE FOREST, CA. 92630
949.830.1350 | TOLL FREE: 888.882.1350
WWW.FOCUSINDUSTRIES.COM

DESIGNED. 
MANUFACTURED. 
IN THE USA.



AL15SM / AL15 LED PANEL AREA LIGHT

AL15SM / AL15LEDP

PROJECT:

TYPE:

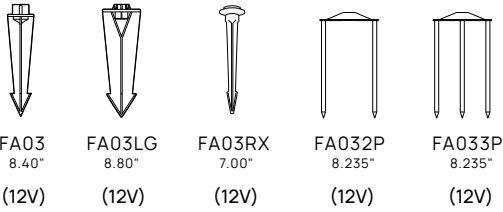
DATE:

CATALOG NUMBER:

ACCESSORIES

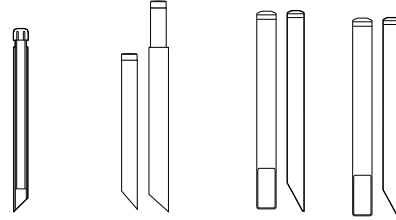
(Configure and order accessories separately) If ordering alternative mounting accessory, check (NS) No Stake box on page 1, to avoid double mounting accessories.

Stakes



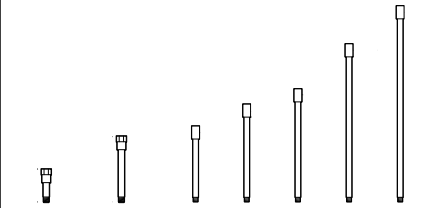
FA03 8.40" (12V)	FA03LG 8.80" (12V)	FA03RX 7.00" (12V)	FA032P 8.235" (12V)	FA033P 8.235" (12V)
------------------------	--------------------------	--------------------------	---------------------------	---------------------------

Mounting Posts



FA01 15.00" (12V)	FA24MDCSTPOST 13.00" to 16.00" (12V)	FA25 20.00" (12V)	FA26 20.00" (120-277V)
-------------------------	--	-------------------------	------------------------------

Extension Wands & Couplers



FA30-4 4.00"	FA30-8 8.00"	FA30 10.00"	FA31 13.00"	FA32 16.00"	FA33 21.00"	FA34 26.00"
(12-277V)						

Canopies



FA24 3.00" dia. (12V)	FA24MDCST 2.65" dia. (12V)	FA24MDCSTPC 2.65" dia. (12V)	FA24LGSPUN 4.50" dia. (12-277V)	FA24LGCST 4.75" dia. (12-277V)	FA22CST 5.75" (12-277V)
-----------------------------	----------------------------------	------------------------------------	---------------------------------------	--------------------------------------	-------------------------------

FINISH

STANDARD FINISHES



Black Texture (-BLT)	Bronze Texture (-BRT)
-------------------------	--------------------------

PREMIUM FINISHES



Dark Bronze (-DBZ)	Black Magic (-BKM)	White Gloss (-WHT)	White Texture (-WTX)	Stucco (-STU)
Chrome Powder (-CPR)	Weathered Iron (-WIR)	Weathered Brown (-WBR)	Rust (-RST)	Luna (-LUN)
Rubbed Verde (-RBV)	Hunter Texture (-HTX)	Mineral Bronze (-BRZ)	Semi-Gloss Black (-BLK)	

CUSTOM FINISHES Supply RAL or Pantone here

RAL #:

Need help finding a RAL color?
<https://www.ralcolor.com/>

PANTONE #:

Need help finding a Pantone color?
<https://www.pantone.com/color-finder>

ACID FINISHES Brass and Copper fixtures only



Acid Rust Brass (-BAR) Copper (-CAR)	Black Acid Treatment Brass (-BAT) Copper (-BAT)	Acid Verde Brass (-BAV) Copper (-CAV)
--	---	---



landscape • architectural • hospitality • entertainment • illumination

FOCUS INDUSTRIES INC.
25301 COMMERCENTRE DRIVE
LAKE FOREST, CA. 92630
949.830.1350 | TOLL FREE: 888.882.1350
WWW.FOCUSINDUSTRIES.COM

DESIGNED. 
MANUFACTURED. 
IN THE USA.