

# AL12 COMMERCIAL POST AREA LIGHT

AL12CP

PROJECT:

TYPE:

DATE:

CATALOG NUMBER:



**AL12CP36MRL48BRS**  
(AL12 Mushroom Hat)

## CATALOG ORDER LOGIC

**EXAMPLE: AL12CP36MRL48BRS**

## FIXTURE

AL

## TYPE

12 Cast Mushroom Hat 8" dia.

## POST OPTIONS

- CP24 Commercial Post 24" Height
- CP36 Commercial Post 36" Height
- Custom Height CP \_\_\_\_\_(S)  
(State Custom Height On the Line Above)

## MOUNT OPTIONS

- Blank Standard U-Bracket Assembly
- S Stake Mount

## 12 VOLT LED WATT SOCKET DEGREE KELVIN LUMEN

12 VOLT LED	WATT	SOCKET	DEGREE	KELVIN	LUMEN
<input type="checkbox"/> MR16NL (No Lamp)		GU5.3 Bi-Pin			
<input type="checkbox"/> L22	3w	GU5.3 Bi-Pin	15°	2700K	270lm
<input type="checkbox"/> L24	3w	GU5.3 Bi-Pin	36°	2700K	270lm
<input type="checkbox"/> L26	3w	GU5.3 Bi-Pin	80°	2700K	270lm
<input type="checkbox"/> L34	5w	GU5.3 Bi-Pin	15°	2700K	450lm
<input type="checkbox"/> L36	5w	GU5.3 Bi-Pin	36°	2700K	450lm
<input type="checkbox"/> L38	5w	GU5.3 Bi-Pin	80°	2700K	450lm
<input type="checkbox"/> L40 TF	5w	GU5.3 Bi-Pin	36°	Amber	585-595nm
<input type="checkbox"/> L46	7w	GU5.3 Bi-Pin	15°	2700K	550lm
<input type="checkbox"/> L48	7w	GU5.3 Bi-Pin	36°	2700K	550lm
<input type="checkbox"/> L50	7w	GU5.3 Bi-Pin	80°	2700K	550lm

(TF) Turtle Friendly Light Source

## 120 VOLT LED WATT SOCKET DEGREE KELVIN LUMEN

120 VOLT LED	WATT	SOCKET	DEGREE	KELVIN	LUMEN
<input type="checkbox"/> GU10NL (No Lamp)		GU10			
<input type="checkbox"/> L106	3w	GU10	15°	2700K	270lm
<input type="checkbox"/> L108	3w	GU10	36°	2700K	270lm
<input type="checkbox"/> L110	3w	GU10	80°	2700K	270lm
<input type="checkbox"/> L114	5w	GU10	15°	2700K	450lm
<input type="checkbox"/> L116	5w	GU10	36°	2700K	450lm
<input type="checkbox"/> L118	5w	GU10	80°	2700K	450lm
<input type="checkbox"/> L119 TF	5w	GU10	36°	Amber	585-595nm
<input type="checkbox"/> L124	7w	GU10	15°	2700K	550lm
<input type="checkbox"/> L126	7w	GU10	36°	2700K	550lm
<input type="checkbox"/> L128	7w	GU10	80°	2700K	550lm

(TF) Turtle Friendly Light Source

## FINISH (STANDARD FINISHES LISTED)

- BLT Aluminum: Black Texture Polyester Powder Coat
- BRT Aluminum: Bronze Texture Polyester Powder Coat
- BRS Brass: Standard Unfinished

Optional powder coat & acid finishes available. See page 3 for more information.

## SHIP WEIGHT / CARTON DIMENSIONS

Aluminum 6061 7lbs 32" x 8" x 8" (24" Height) / 10lbs 56" x 8" x 8" (36" Height)  
 Brass C27200 14lbs 32" x 8" x 8" (24" Height) / 17lbs 56" x 8" x 8" (36" Height)

## ADDITIONAL INFORMATION

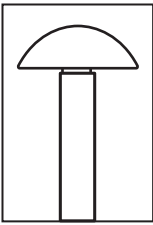
- Integrated LED options available  
See AL12CP LED Module spec sheet for more information



landscape • architectural • hospitality • entertainment • illumination

FOCUS INDUSTRIES INC.  
 25301 COMMERCENTRE DRIVE  
 LAKE FOREST, CA. 92630  
 949.830.1350 | TOLL FREE: 888.882.1350  
 WWW.FOCUSINDUSTRIES.COM

DESIGNED.   
 MANUFACTURED.   
 IN THE USA.



# AL12 COMMERCIAL POST AREA LIGHT

AL12CP

PROJECT:

TYPE:

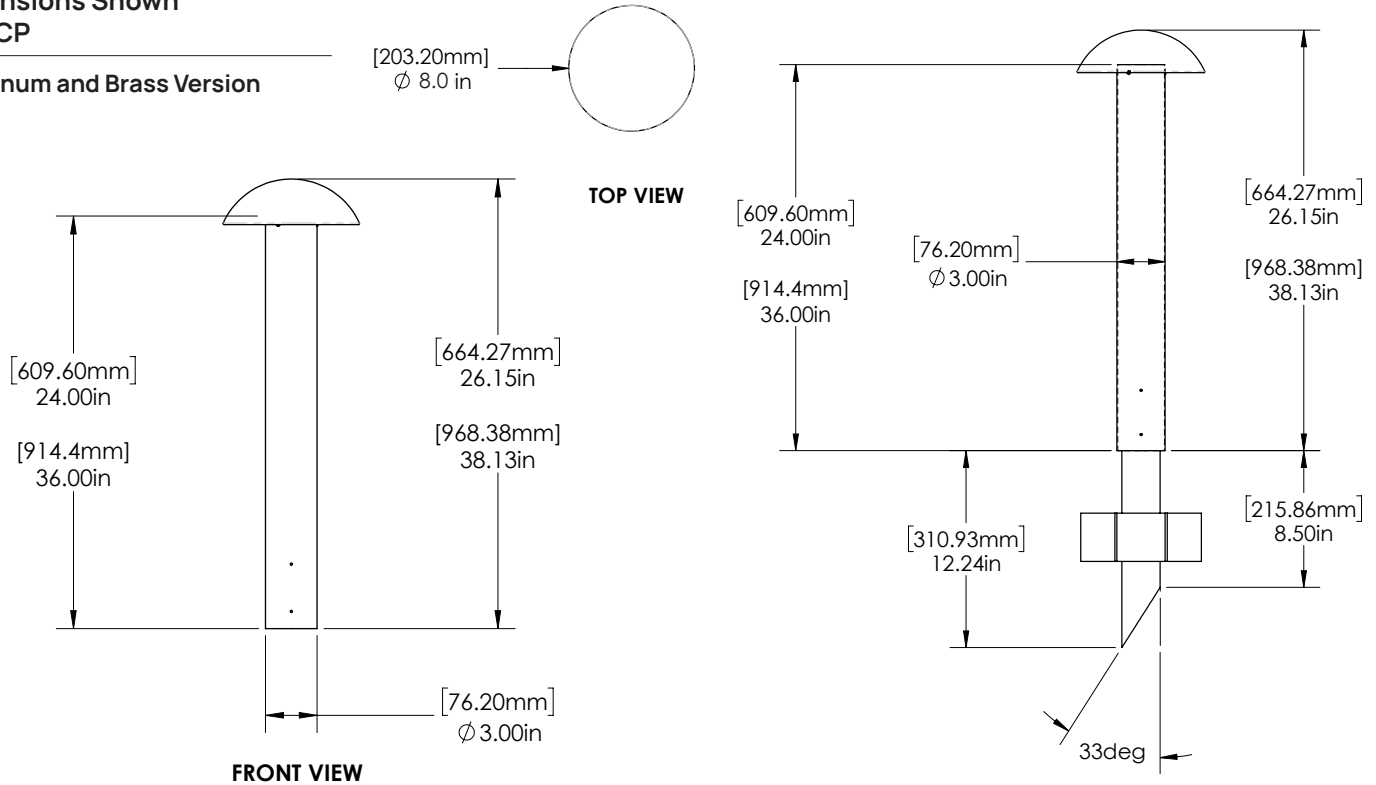
DATE:

CATALOG NUMBER:

## DIMENSIONS

### Dimensions Shown AL12CP

Aluminum and Brass Version



## SPECIFICATIONS

INTERNALS	VOLTAGE WIRING	12V: 24" Height- Standard 36" Black AWG 18/2, SPT1-W, 300V UL (Power with magnetic transformer) 12V: 36" Height- Standard 48" Black AWG 18/2, SPT1-W, 300V UL (Power with magnetic transformer) 120V: 24" Height- Standard 36" 18AWG Black, White, and Green (ground) wire (Power with line voltage) 120V: 36" Height- Standard 48" 18AWG Black, White, and Green (ground) wire (Power with line voltage)
	CONNECTOR	Terminal parallel, non-insulated, 16-14 awg
EXTERNALS	MATERIAL	Cast 6061 aluminum, C27200 Brass: AL12CP, 8" dia. Mushroom hat
	POST	Extrusion, 6061 aluminum, C27200 brass, round tube, 3" dia. x 24"/36" (standard), 0.063" wall
	POST CAP	6061 aluminum, C27200 brass 3" OD x 1.25" (2.840" ID)
	LENS	Clear tempered step glass, AL12CP (2" dia. x 1.67", 3mm +3mm th)
	MOUNT (See page 3 - for more options)	12V-120V: Standard Deck Mount: #8 gauge U-bracket galvanized steel & stake mount (SDM) Stake Deck Mount ABS stake sleeve 2.875" OD
IP54	FINISH (See page 3 - for more options)	Aluminum: Standard BLT/BRT- Black or Bronze Texture polyester powder coat Brass: Standard Unfinished
	LISTINGS	IP54. IES files available for download.

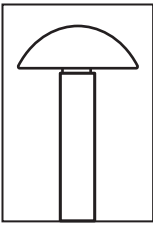


IP54



FOCUS INDUSTRIES INC.  
25301 COMMERCENTRE DRIVE  
LAKE FOREST, CA. 92630  
949.830.1350 | TOLL FREE: 888.882.1350  
WWW.FOCUSINDUSTRIES.COM

DESIGNED.   
MANUFACTURED.   
IN THE USA.



# AL12 COMMERCIAL POST AREA LIGHT

AL12CP

PROJECT:

TYPE:

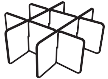
DATE:

CATALOG NUMBER:

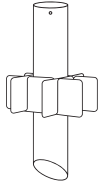
## ACCESSORIES

(Configure and order accessories separately)

### ABS Mounting Sleeve & Fins

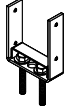


**FA42FIN**  
ABS Stabilizing Fins  
(12V-277V)




**FAS25**  
ABS Stabilizing Fins & Sleeve  
(12V-277V)

### U-Bracket




**FACPUBSS**  
(12V-277V)

### Direct Burials & JBoxes




**DBR55JB**  
(12V-277V)




**FA-JBOX**  
(12V-277V)

## FINISH

### STANDARD FINISHES



Black Texture  
(-BLT)



Bronze Texture  
(-BRT)

### PREMIUM FINISHES

 Dark Bronze (-DBZ)	 Black Magic (-BKM)	 White Gloss (-WHT)	 White Texture (-WTX)	 Stucco (-STU)
 Chrome Powder (-CPR)	 Weathered Iron (-WIR)	 Weathered Brown (-WBR)	 Rust (-RST)	 Luna (-LUN)
 Rubbed Verde (-RBV)	 Hunter Texture (-HTX)	 Mineral Bronze (-BRZ)	 Semi-Gloss Black (-BLK)	

### CUSTOM FINISHES Supply RAL or Pantone here

RAL #:

Need help finding a RAL color?  
<https://www.ralcolor.com/>

PANTONE #:

Need help finding a Pantone color?  
<https://www.pantone.com/color-finder>

### ACID FINISHES Brass and Copper fixtures only

 Acid Rust Brass (-BAR) Copper (-CAR)	 Black Acid Treatment Brass (-BAT) Copper (-BAT)	 Acid Verde Brass (-BAV) Copper (-CAV)
---	---	--



FOCUS INDUSTRIES INC.  
25301 COMMERCENTRE DRIVE  
LAKE FOREST, CA. 92630  
949.830.1350 | TOLL FREE: 888.882.1350  
WWW.FOCUSINDUSTRIES.COM

DESIGNED.   
MANUFACTURED.   
IN THE USA.