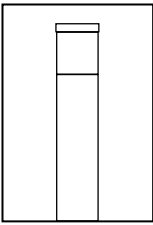


AL08MDS2 BOLLARD WITH ACRYLIC ACCENT

AL08MDS2



PROJECT: _____ TYPE: _____ DATE: _____

CATALOG NUMBER: _____



AL08MDDMS2L24BLT
(Aluminum Version)



AL08MDDMS2L24BRS
(Brass Version)



AL08MDDMS2L24COP
(Copper Version)

CATALOG ORDER LOGIC

EXAMPLE: AL08MDDMS2L24BLT

FIXTURE

AL Area Light

TYPE

08MD Medium Bollard Deck Mount (Standard 2.63" Diameter)
- Medium Bollard Angle cut (2.63" Diameter)

MOUNTING OPTIONS

None Angle cut: include FA42FIN
 DM Deck Mount: stainless steel u-bracket
 SDM ABS stake sleeve 2.875" OD

ACRYLIC ACCENT

S2 Frosted Acrylic Accent

12 VOLT LED	WATT	SOCKET	BEAM ANGLE	KELVIN	LUMEN
<input type="checkbox"/> NL (MR16)		GU5.3 Bi-Pin			
<input type="checkbox"/> L22	3w	GU5.3 Bi-Pin	15°	2700K	270lm
<input type="checkbox"/> L24	3w	GU5.3 Bi-Pin	36°	2700K	270lm
<input type="checkbox"/> L26	3w	GU5.3 Bi-Pin	80°	2700K	270lm
<input type="checkbox"/> L34	5w	GU5.3 Bi-Pin	15°	2700K	450lm
<input type="checkbox"/> L36	5w	GU5.3 Bi-Pin	36°	2700K	450lm
<input type="checkbox"/> L38	5w	GU5.3 Bi-Pin	80°	2700K	450lm
<input type="checkbox"/> L40	5w TF	GU5.3 Bi-Pin	36°	Amber	585-595nm
<input type="checkbox"/> L46	7w	GU5.3 Bi-Pin	15°	2700K	550lm
<input type="checkbox"/> L48	7w	GU5.3 Bi-Pin	36°	2700K	550lm
<input type="checkbox"/> L50	7w	GU5.3 Bi-Pin	80°	2700K	550lm

(TF) Turtle Friendly Light Source

120 VOLT LED	WATT	SOCKET	BEAM ANGLE	KELVIN	LUMEN
<input type="checkbox"/> GU10NL		GU10			
<input type="checkbox"/> L106	3w	GU10	15°	2700K	270lm
<input type="checkbox"/> L108	3w	GU10	36°	2700K	270lm
<input type="checkbox"/> L110	3w	GU10	80°	2700K	270lm
<input type="checkbox"/> L114	5w	GU10	15°	2700K	450lm
<input type="checkbox"/> L116	5w	GU10	36°	2700K	450lm
<input type="checkbox"/> L118	5w	GU10	80°	2700K	450lm
<input type="checkbox"/> L119	5w TF	GU10	36°	Amber	585-595nm
<input type="checkbox"/> L124	7w	GU10	15°	2700K	550lm
<input type="checkbox"/> L126	7w	GU10	36°	2700K	550lm
<input type="checkbox"/> L128	7w	GU10	80°	2700K	550lm

(TF) Turtle Friendly Light Source

OPTIONS

25F 25 Foot Lead Wire (12V only)
 NS No Stake

FIXTURE HEIGHT

26" 26" Standard Angle Height
18" 18" Standard Deck Mount Height
 Custom height _____ (S)
(State number of inches on the line above)

FINISH (STANDARD FINISHES LISTED)

BLT Aluminum: Black Texture Polyester Powder Coat
 BRT Aluminum: Bronze Texture Polyester Powder Coat
 BRS Brass: Unfinished
 COP Copper: Unfinished

Optional powder coat & acid finishes available. See page 3 for more information.

SHIP WEIGHT / CARTON DIMENSIONS

Aluminum 6061 3lbs 32" x 4" x 4"
Brass C27200 4lbs 32" x 4" x 4"
Copper C12200 4lbs 32" x 4" x 4"

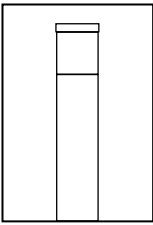
IP65



landscape • architectural • hospitality • entertainment • illumination

FOCUS INDUSTRIES INC.
25301 COMMERCENTRE DRIVE
LAKE FOREST, CA. 92630
949.830.1350 | TOLL FREE: 888.882.1350
WWW.FOCUSINDUSTRIES.COM

DESIGNED. 
MANUFACTURED. 
IN THE USA.



AL08MDS2 BOLLARD WITH ACRYLIC ACCENT

AL08MDS2

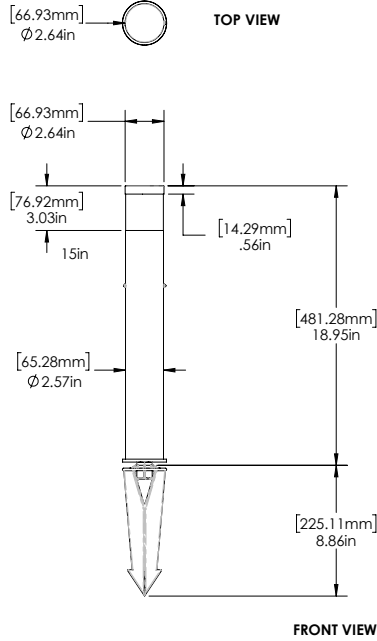
PROJECT: _____ TYPE: _____ DATE: _____

CATALOG NUMBER: _____

DIMENSIONS

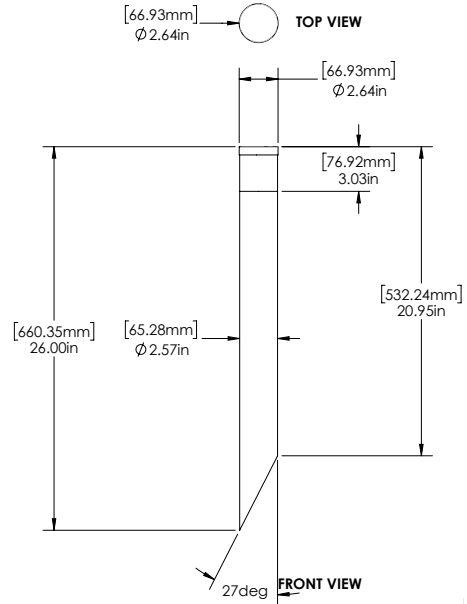
Dimensions Shown AL08MDDMS2 with FA03LG Stake

Aluminum Version
Brass Version
Copper Version



Dimensions Shown AL08MDS2 with Angle Cut Version

Brass Version
Copper Version



SPECIFICATIONS

INTERNALS	VOLTAGE WIRING	12V: Standard 48" black AWG 18/2, SPT1-W, 300V UL (Power with magnetic transformer) 120V: 48" 18AWG Black, White, and Green (ground) wire (Power with line voltage)
	CONNECTOR	Terminal butt, insulated vinyl, 22-18 AWG #8, Red
EXTERNALS	CAP	Spun 6061 aluminum, C27200 brass, 12200 copper round cap, 2.98" dia. x 0.55"
	BODY	Extrusion 6061 aluminum 2.5" x 15"; C27200 brass 2.5" dia. x 15", copper 12200 2.625" dia. x 15" round tube Brass C27200, Copper 12200 2.5" dia. x 29" bollard angle cut
	ACRYLIC ACCENT	Acrylic snoot, sandblasted, machined end with polished edges, 2.56" dia. x 3.74 H"
	MOUNT (See page 3 - for more options)	12V: DM (Deck Mount): Aluminum, Brass, Copper version: FA03LG ABS black stake, 1/2-14 NPS tapped 120V: No Mounting Included.
	FINISH (See page 3 - for more options)	Aluminum: Standard BLT/BRT - Black or Bronze Texture polyester powder coat Brass: Standard Unfinished Copper: Standard Unfinished
	LISTINGS	IP65. IES files available for download.



Click Icon to Download

IP65



FOCUS INDUSTRIES INC.
25301 COMMERCENTRE DRIVE
LAKE FOREST, CA. 92630
949.830.1350 | TOLL FREE: 888.882.1350
WWW.FOCUSINDUSTRIES.COM

DESIGNED. 
MANUFACTURED. 
IN THE USA.

AL08MDS2 BOLLARD WITH ACRYLIC ACCENT

AL08MDS2

PROJECT: _____ TYPE: _____ DATE: _____
 CATALOG NUMBER: _____

ACCESSORIES

(Configure and order accessories separately) If ordering alternative mounting accessory, check (NS) No Stake box on page 1, to avoid double mounting accessories.

Stakes

FA03 8.40" (12V)	FA03LG 8.80" (12V)	FA03RX 7.00" (12V)	FA032P 8.235" (12V)	FA033P 8.235" (12V)
------------------------	--------------------------	--------------------------	---------------------------	---------------------------

Mounting Posts

FA01 15" (12V)	FA24MDCSTPOST 13" to 16" (12V)	FA25 20" (12V)	FA26 20" (120V-277V)
----------------------	--------------------------------------	----------------------	----------------------------

Extension Wands & Couplers

FA30-4 4" (12V-277V)	FA30-8 8" (12V-277V)	FA30 10" (12V-277V)	FA31 13" (12V-277V)	FA32 16" (12V-277V)	FA33 21" (12V-277V)	FA34 26" (12V-277V)
----------------------------	----------------------------	---------------------------	---------------------------	---------------------------	---------------------------	---------------------------

Canopies

FA24 3.00" dia. (12V)	FA24MDCST 2.65" dia. (12V)	FA24MDCSTPC 2.65" dia. (12V)	FA24LGSPUN 4.50" dia. (120V-277V)	FA24LGCST 4.75" dia. (120V-277V)	FA22CST 5.75" (120V-277V)
-----------------------------	----------------------------------	------------------------------------	---	--	---------------------------------

Direct Burials & JBoxes

DBR55JB 5" x 5" dia. (120V-277V)	FAJBOX (120V-277V)
--	-----------------------

Lenses

FA1133AMBER (Tempered Glass Lens) 2" OD X 0.125" ± 0.03" TH	FA1133RED (Tempered Glass Lens) 2" OD X 0.125" ± 0.03" TH	FA1133GREEN (Tempered Glass Lens) 2" OD X 0.125" ± 0.03" TH	FA1133BLUE (Tempered Glass Lens) 2" OD X 0.125" ± 0.03" TH
---	---	---	--

FINISH

STANDARD FINISHES

Black Texture (-BLT) Bronze Texture (-BRT)

PREMIUM FINISHES

Dark Bronze (-DBZ)	Black Magic (-BKM)	White Gloss (-WHT)	White Texture (-WTX)	Stucco (-STU)
Chrome Powder (-CPR)	Weathered Iron (-WIR)	Weathered Brown (-WBR)	Rust (-RST)	Luna (-LUN)
Rubbed Verde (-RBV)	Hunter Texture (-HTX)	Mineral Bronze (-BRZ)	Semi-Gloss Black (-BLK)	

CUSTOM FINISHES Supply RAL or Pantone here

RAL #: _____

Need help finding a RAL color?
<https://www.ralcolor.com/>

PANTONE #: _____

Need help finding a Pantone color?
<https://www.pantone.com/color-finder>

ACID FINISHES Brass and Copper fixtures only

Acid Rust Brass (-BAR)	Black Acid Treatment Brass (-BAT)	Acid Verde Brass (-BAV) Copper (-CAV)
------------------------	-----------------------------------	---------------------------------------



FOCUS INDUSTRIES INC.
 25301 COMMERCENTRE DRIVE
 LAKE FOREST, CA. 92630
 949.830.1350 | TOLL FREE: 888.882.1350
 WWW.FOCUSINDUSTRIES.COM

DESIGNED. 
 MANUFACTURED. 
 IN THE USA.