

# AL06SM / AL06 LED PANEL AREA LIGHT

AL06SM / AL06LEDP

PROJECT:

TYPE:

DATE:

CATALOG NUMBER:



**AL06SMLEDPBRS**  
(Brass Version Only)



**AL06LEDPBLT**  
(Aluminum Version Only)

## CATALOG ORDER LOGIC

EXAMPLE: AL06LEDPBLT

## FIXTURE

AL Area Light

## TYPE

- 06 5.5" Mushroom Hat (Aluminum Only)
- 06SM 3.5" Mushroom Hat (Brass Only)

12 VOLT LED	WATT	SOCKET	KELVIN	LUMEN
<input type="checkbox"/> LEDP	4w	-	3000K	480lm
<input type="checkbox"/> LEDP52	4w	-	5200K	480lm

## 120 VOLT OPTION

- 120V

120V includes external LED driver. Must be installed 25' max distance to fixture & sealed in FA26 mounting post or approved weatherproof junction box.

## OPTIONS

- 25F 25 Feet Lead Wire (12V Only)
- NS No Stake

## STEM OPTIONS

- 9" 9" Standard Stem Height (Standard AL06SM)
- 12" 12" Standard Stem Height (Standard AL06)
- Custom Height \_\_\_\_\_ (S)  
(State Number of Inches On the Line Above)

## FINISH (STANDARD FINISHES LISTED)

- BLT Aluminum: Black Texture polyester powder coat finish
- BRT Aluminum: Bronze Texture polyester powder coat finish
- BRS Brass: Standard Unfinished

Optional powder coat & acid treatment finishes available. See page 3 for more information

## SHIP WEIGHT / CARTON DIMENSIONS

Aluminum 6061	2 lbs.	12" x 6" x 4" (AL06)
Brass C27200	3 lbs.	10" x 4" x 4" (AL06SM)

## ADDITIONAL INFORMATION

- Plug-N-Play LED options available.  
See AL06 spec sheet for more information

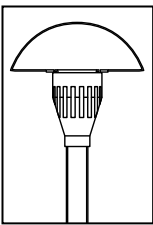
**IP65**



landscape • architectural • hospitality • entertainment • illumination

FOCUS INDUSTRIES INC.  
 25301 COMMERCENTRE DRIVE  
 LAKE FOREST, CA. 92630  
 949.830.1350 | TOLL FREE: 888.882.1350  
 WWW.FOCUSINDUSTRIES.COM

DESIGNED.   
 MANUFACTURED.   
 IN THE USA.



# AL06SM / AL06 LED PANEL AREA LIGHT

AL06SM / AL06LEDP

PROJECT:

TYPE:

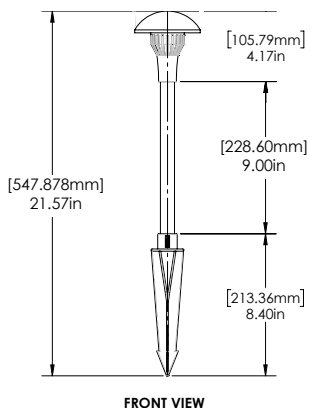
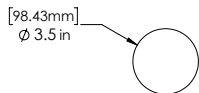
DATE:

CATALOG NUMBER:

## DIMENSIONS

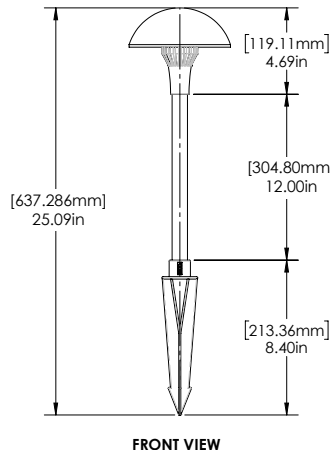
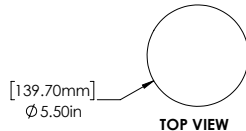
### Dimensions Shown AL06SMBRS with FA03 Stake

Brass Version Only



### Dimensions Shown AL06BLT with FA03 Stake

Aluminum Version Only



## SPECIFICATIONS

INTERNALS	VOLTAGE WIRING	12V: Standard 48" Black 18 AWG 2/C, SPT1-W, 300V UL (Power with magnetic transformer) 120V: 48" Standard 18g, Black, White, Green (ground) (Power with line voltage)
	DRIVER	12V: Internal Driver - HW12535012LED: 4.9W 350mA LED Driver, 12V (9V-15V) AC/DC IN, 12V DC OUT, Dimmable 120V: External Driver - HW126350120LED: 5W 350mA LED Driver, 120-277V IN, 12V DC OUT, Dimmable 120V: 25' max distance to fixture, must be sealed in FA26 or weatherproof Jbox.
	CONNECTOR	Close ended cimp cap nylon, 22-14 AWG, Clear
EXTERNALS	HAT	Die cast 6061 aluminum or C27200 brass china hat, 3.50" dia. (AL06SM Version), 5.50" dia. (AL06 Version)
	HUB	Die cast aluminum or brass LED hub.
	LENS	Clear acrylic tube, 1.75" OD x 1.63" ID x 0.063" wall (12V and 120V)
	STEM	Extrusion, aluminum 6061, round sch 40 pipe, .840" OD x .622" ID x 12.00" L x .109" W (AL06) Extrusion, brass, C27200, round sch 40 pipe, .840" OD, .622" ID x 9.00" L x .109" W (AL06SM)
	MOUNT (See page 3- for more options)	12V: Aluminum & Brass version: FA03 ABS black stake, 1/2-14 NPS tapped 120V: No mounting included
FINISH (See page 3- for more options)	Aluminum: Standard BLT/BRT- Black or Bronze Texture polyester powder coat Brass: Standard Unfinished	
IP65	LISTINGS	IP65, CE IES files available for download.



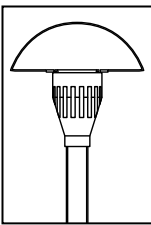
Click Icon to Download



landscape • architectural • hospitality • entertainment • illumination

FOCUS INDUSTRIES INC.  
25301 COMMERCENTRE DRIVE  
LAKE FOREST, CA. 92630  
949.830.1350 | TOLL FREE: 888.882.1350  
WWW.FOCUSINDUSTRIES.COM

DESIGNED.   
MANUFACTURED.   
IN THE USA.



# AL06SM / AL06 LED PANEL AREA LIGHT

# AL06SM / AL06LEDP

PROJECT:

TYPE:

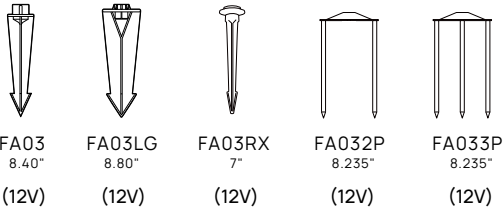
DATE:

CATALOG NUMBER:

## ACCESSORIES

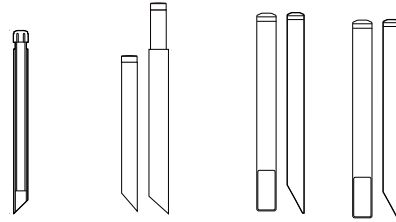
(Configure and order accessories separately) If ordering alternative mounting accessory, check (NS) No Stake box on page 1, to avoid double mounting accessories.

### Stakes



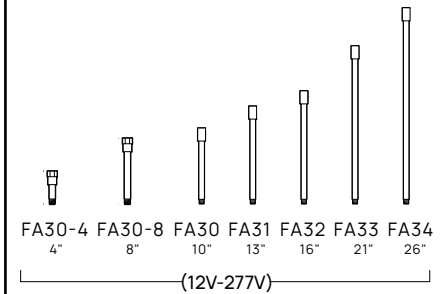
FA03 8.40" (12V)	FA03LG 8.80" (12V)	FA03RX 7" (12V)	FA032P 8.235" (12V)	FA033P 8.235" (12V)
------------------------	--------------------------	-----------------------	---------------------------	---------------------------

### Mounting Posts



FA01 15.00" (12V)	FA24MDCSTPOST 13" to 16" (12V)	FA25 20" (12V)	FA26 20" (12V-277V)
-------------------------	--------------------------------------	----------------------	---------------------------

### Extension Wands & Couplers



FA30-4 4"	FA30-8 8"	FA30 10"	FA31 13"	FA32 16"	FA33 21"	FA34 26"
(12V-277V)						

### Canopies



FA24 3" dia. (12V)	FA24MDCST 2.65" dia. (12V)	FA24MDCSTPC 2.65" dia. (12V)	FA24LGSPUN 4.50" dia. (12V-277V)	FA24LGCST 4.75" dia. (12V-277V)	FA22CST 5.75" (12V-277V)
--------------------------	----------------------------------	------------------------------------	--	---------------------------------------	--------------------------------

## FINISH

### STANDARD FINISHES



Black Texture (-BLT)	Bronze Texture (-BRT)
-------------------------	--------------------------

### PREMIUM FINISHES



### CUSTOM FINISHES

 Supply RAL or Pantone here

RAL #:   
Need help finding a RAL color?   
<https://www.ralcolor.com/>

PANTONE #:   
Need help finding a Pantone color?   
<https://www.pantone.com/color-finder>

### ACID FINISHES

 Brass and Copper fixtures only

Acid Rust Brass (-BAR) Copper (-CAR)	Black Acid Treatment Brass (-BAT) Copper (-BAT)	Acid Verde Brass (-BAV) Copper (-CAV)
--	---	---

**IP65**



landscape • architectural • hospitality • entertainment • illumination

FOCUS INDUSTRIES INC.  
25301 COMMERCENTRE DRIVE  
LAKE FOREST, CA. 92630  
949.830.1350 | TOLL FREE: 888.882.1350  
WWW.FOCUSINDUSTRIES.COM

DESIGNED.   
MANUFACTURED.   
IN THE USA.