

AL06 / AL06SM AREA LIGHT

AL06

PROJECT: _____ TYPE: _____ DATE: _____

CATALOG NUMBER: _____



AL06SML12BRS
(Brass Version Only)



AL06L12BBLT
(Aluminum Version Only)

CATALOG ORDER LOGIC

EXAMPLE: AL06L12BLT

FIXTURE

AL Area Light

TYPE

- 06 5.5" Mushroom Hat Aluminum Only
- 06SM 3.5" Mushroom Hat Brass Only

12 VOLT LED	WATT	SOCKET	KELVIN	LUMEN
<input type="checkbox"/> NL (No Lamp)		Ba15s Single Contact		
<input type="checkbox"/> NLBP (No Lamp)		G4 Bi-Pin		
<input type="checkbox"/> L10	3w	G4 Bi-Pin	3000K	300lm
<input type="checkbox"/> L12	3w	Ba15s Single Contact	3000K	300lm
<input type="checkbox"/> L13	3w	G4 Bi-Pin	2700K	270lm
<input type="checkbox"/> L14	3w	G4 Bi-Pin	3000K	270lm
<input type="checkbox"/> L15	3w	Ba15s Single Contact	2700K	270lm
<input type="checkbox"/> L16	3w	Ba15s Single Contact	3000K	270lm
<input type="checkbox"/> L17	3w TF	G4 Bi-Pin	Amber	585-595nm
<input type="checkbox"/> L18	3w TF	Ba15s Single Contact	Amber	585-595nm

(TF) Turtle Friendly Light Source

120 VOLT LED	WATT	SOCKET	KELVIN	LUMEN
<input type="checkbox"/> NL120VDC		Ba15d Double Contact		
<input type="checkbox"/> NL120VBP		GY6.35 Bi-Pin		
<input type="checkbox"/> L160	3w	GY6.35 Bi-Pin	3000K	440lm

OPTIONS

- 25F 25 Feet Lead Wire (12V Only)
- NS No Stake

STEM OPTIONS

- 9" 9.00" Standard Stem Length (Standard AL06SM)
- 12" 12.00" Standard Stem Length (Standard AL06)

- Custom Length _____(S)
(State Custom Length On the Line Above)

FINISH (STANDARD FINISHES LISTED)

- BLT Aluminum: Black Texture polyester powder coat finish
- BRT Aluminum: Bronze Texture polyester powder coat finish
- BRS Brass: Unfinished

Optional powder coat & acid treatment finishes available. See page 3 for more information

SHIP WEIGHT / CARTON DIMENSIONS

Aluminum 6061	2 lbs.	12" x 6" x 4" (AL06)
Brass C27200	3 lbs.	10" x 4" x 4" (AL06SM)

ADDITIONAL INFORMATION

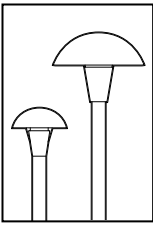
- Integrated LED options available.
See AL06LEDP spec sheet for more information

IP65



FOCUS INDUSTRIES INC.
25301 COMMERCENTRE DRIVE
LAKE FOREST, CA. 92630
949.830.1350 | TOLL FREE: 888.882.1350
WWW.FOCUSINDUSTRIES.COM

DESIGNED. 
MANUFACTURED. 
IN THE USA.



AL06 / AL06SM AREA LIGHT

AL06

PROJECT:

TYPE:

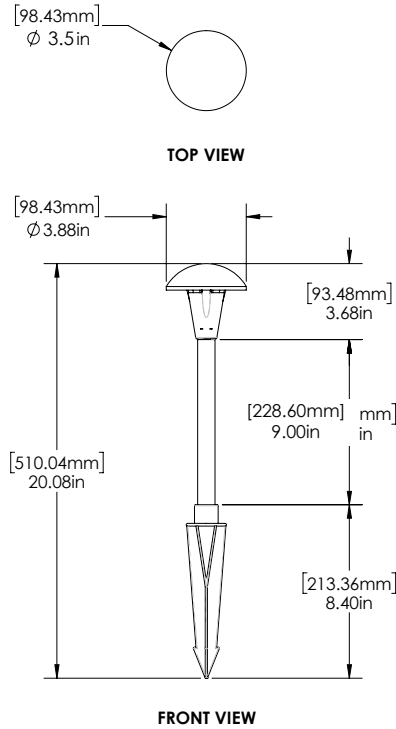
DATE:

CATALOG NUMBER:

DIMENSIONS

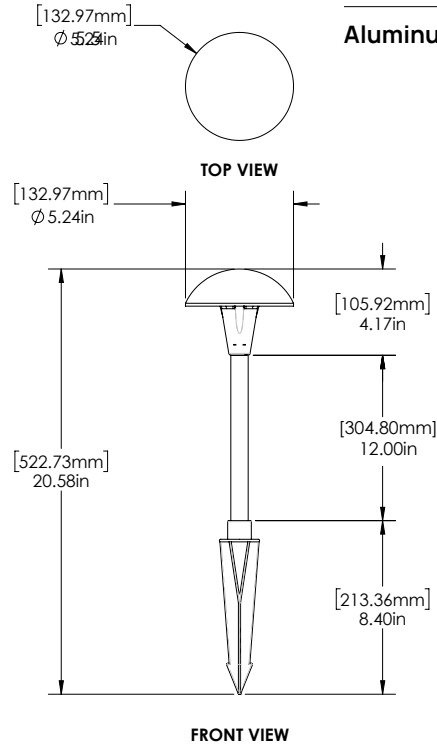
Dimensions Shown AL06SMBRS with FA03 Stake

Brass Version Only



Dimensions Shown AL06BLT with FA03 Stake

Aluminum Version Only



SPECIFICATIONS

INTERNALS	VOLTAGE WIRING	12V: Standard 48" Black AWG 2/C, SPT1-W, 300V UL (Power with magnetic transformer) 120V: 16" Standard 18g, black, white, green (ground) (Power with line voltage)
	CONNECTOR	Terminal ring star, insulated vinyl, 22-18 AWG #8, Red
EXTERNALS	HAT	Die cast 6061 aluminum or C27200 brass china hat, 3.50" dia. (AL06SM Version), 5.50" dia. (AL06 Version)
	HUB	Die cast aluminum or brass center hub
	STEM	Extrusion, aluminum 6061, round sch 40 pipe, .840" OD x .622" ID x 12.00" L x .109" W (AL06) Extrusion, brass, C27200, round sch 40 pipe, .840" OD, .622" ID x 9.00" L x .109" W (AL06SM)
	MOUNT (See page 3- for more options)	12V: Aluminum & Brass: FA03 ABS black stake, 1/2-14 NPS tapped 120V: No mounting included
	FINISH (See page 3- for more options)	Aluminum: Black or Bronze Texture (Standard) Brass: Unfinished (Standard)
	LISTINGS	IP65. IES files available for download.

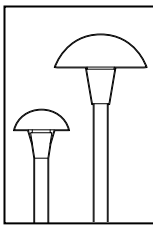


IP65



FOCUS INDUSTRIES INC.
25301 COMMERCENTRE DRIVE
LAKE FOREST, CA. 92630
949.830.1350 | TOLL FREE: 888.882.1350
WWW.FOCUSINDUSTRIES.COM





AL06 / AL06SM AREA LIGHT

AL06

PROJECT:

TYPE:

DATE:

CATALOG NUMBER:

ACCESSORIES

(Configure and order accessories separately) If ordering alternative mounting accessory, check (NS) No Stake box on page 1, to avoid double mounting accessories.

Stakes

FA03 8.40"	FA03LG 8.80"	FA03RX 7.00"	FA032P 8.235"	FA033P 8.235"
(12V)	(12V)	(12V)	(12V)	(12V)

Mounting Posts

FA01 15.00"	FA24MDCSTPOST 13.00" to 16.00"	FA25 20.00"	FA26 20.00"
(12V)	(12V)	(12V)	(120V-277V)

Extension Wands & Couplers

FA30-4 4.00"	FA30-8 8.00"	FA30 10.00"	FA31 13.00"	FA32 16.00"	FA33 21.00"	FA34 26.00"
(12V-277V)						

Canopies

FA24 3.00" dia.	FA24MDCST 2.65" dia.	FA24MDCSTPC 2.65" dia.	FA24LGSPUN 4.50" dia.	FA24LGCST 4.75" dia.	FA22CST 5.75"
(12V)	(12V)	(12V)	(12V-277V)	(12V-277V)	(12V-277V)

Sprinkler Shield

FA97 1.75" dia.	
Note: Included in 120V	(12V Option)

FINISH

STANDARD FINISHES

Black Texture (-BLT)	Bronze Texture (-BRT)

PREMIUM FINISHES

Dark Bronze (-DBZ)	Black Magic (-BKM)	White Gloss (-WHT)	White Texture (-WTX)	Stucco (-STU)
Chrome Powder (-CPR)	Weathered Iron (-WIR)	Weathered Brown (-WBR)	Rust (-RST)	Luna (-LUN)
Rubbed Verde (-RBV)	Hunter Texture (-HTX)	Mineral Bronze (-BRZ)	Semi-Gloss Black (-BLK)	

CUSTOM FINISHES Supply RAL or Pantone here

RAL #: _____
 Need help finding a RAL color?
<https://www.ralcolor.com/>

PANTONE #: _____
 Need help finding a Pantone color?
<https://www.pantone.com/color-finder>

ACID FINISHES Brass and Copper fixtures only

Acid Rust Brass (-BAR) Copper (-CAR)	Black Acid Treatment Brass (-BAT) Copper (-BAT)	Acid Verde Brass (-BAV) Copper (-CAV)



FOCUS INDUSTRIES INC.
 25301 COMMERCENTRE DRIVE
 LAKE FOREST, CA. 92630
 949.830.1350 | TOLL FREE: 888.882.1350
 WWW.FOCUSINDUSTRIES.COM

DESIGNED.
 MANUFACTURED.
 IN THE USA.