

# SL69 POST TOP LIGHTS SPEC SHEET

SL69


PROJECT: \_\_\_\_\_ TYPE: \_\_\_\_\_ DATE: \_\_\_\_\_

CATALOG NUMBER: \_\_\_\_\_



**SL69LGPFTL12WHT**  
(Shown with Flat Top)



**SL69LGPATL12WHT**  
(Shown with Angle Top)  
Aluminum Only

## CATALOG ORDER LOGIC

EXAMPLE: SL69LGPFTL12WHT

## FIXTURE

SL Area Light

## TYPE

69

## SIZE

LG 4.00" L x 4.00" W

Custom Height \_\_\_\_\_ (H)  
(State Custom Length On the Line Above)

## SLOTS

Blank Standard 2 slots, cut out on 4 sides

Custom Slots \_\_\_\_\_ (SL)  
(State Custom Slots On the Line Above) Use only with larger height.

## TOP TYPE

PAT Post Angle Top (Aluminum Only)  
 PFT Post Flat Top

12 VOLT LED	WATT	SOCKET	KELVIN	LUMEN
<input type="checkbox"/> NL (No Lamp)		Ba15s Single Contact		
<input type="checkbox"/> NLBP (No Lamp)		G4 Bi-Pin		
<input type="checkbox"/> L10	3w	G4 Bi-Pin	3000K	300lm
<input type="checkbox"/> L12	3w	Ba15s Single Contact	3000K	300lm
<input type="checkbox"/> L13	3w	G4 Bi-Pin	2700K	270lm
<input type="checkbox"/> L14	3w	G4 Bi-Pin	3000K	270lm
<input type="checkbox"/> L15	3w	Ba15s Single Contact	2700K	270lm
<input type="checkbox"/> L16	3w	Ba15s Single Contact	3000K	270lm
<input type="checkbox"/> L17	3w TF	G4 Bi-Pin	Amber	585-595nm
<input type="checkbox"/> L18	3w TF	Ba15s Single Contact	Amber	585-595nm

(TF) Turtle Friendly Light Source

120 VOLT LED	WATT	SOCKET	KELVIN	LUMEN
<input type="checkbox"/> NL120VDC		Double Contact		
<input type="checkbox"/> NL120VBP		Bi-Pin		
<input type="checkbox"/> L160	3w	Bi-Pin	3000K	400lm

## OPTIONS

25F 25 Foot Fixture Lead Wire

## FINISH (standard finishes listed)

BLT (Aluminum - Black Texture Powder Coat)  
 BRT (Aluminum - Bronze Texture Powder Coat)  
 BRS (Unfinished- Brass)

Premium and Acid Finishes (See page 4 for more color options)  
Pantone & RAL Colors (Enter RAL or Pantone number at end of part number)

## SHIP WEIGHT

Aluminum 6061 (3.0lbs)  
Brass C27200 (4.0lbs)

## ADDITIONAL INFORMATION

Angle top option available in aluminum only



landscape • architectural • hospitality • entertainment • illumination

**FOCUS INDUSTRIES INC.**  
25301 COMMERCENTRE DRIVE  
LAKE FOREST, CA. 92630  
949.830.1350 | TOLL FREE: 888.882.1350  
WWW.FOCUSINDUSTRIES.COM



# SL69 POST TOP LIGHTS SPEC SHEET

SL69

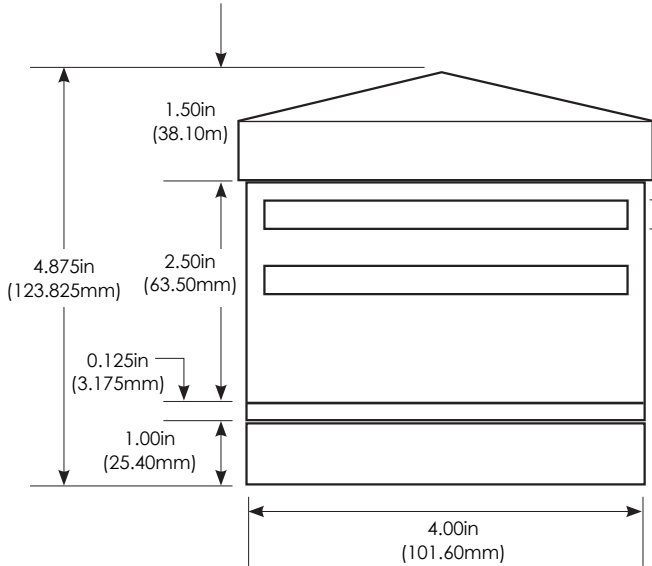
PROJECT: \_\_\_\_\_ TYPE: \_\_\_\_\_ DATE: \_\_\_\_\_

CATALOG NUMBER: \_\_\_\_\_

## DIMENSIONS

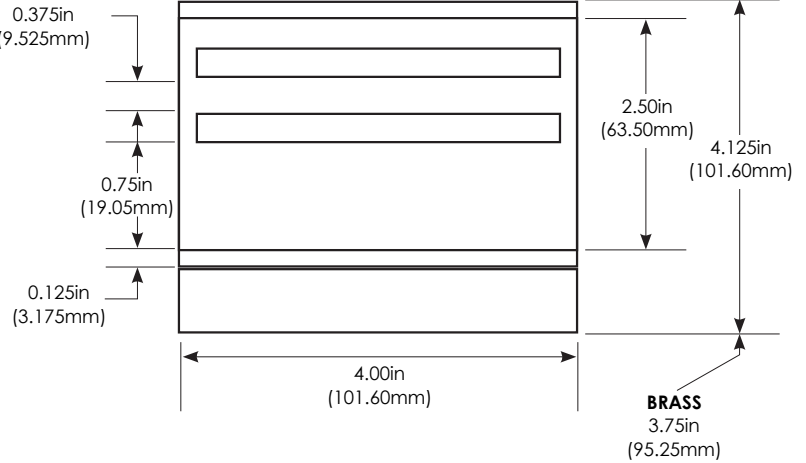
### Dimensions Shown with Angle Top

SL69LGPAT



### Dimensions Shown with Flat Top

SL69LGPFT



## SPECIFICATIONS

INTERNALS	VOLTAGE	12 Volt (Power with magnetic transformer) / 120 Volt
	WIRING	12 Volt: Standard black 3ft 18/2 zip cord from base of fixture. 120 Volt: Standard 18g, black, white, green (ground)
	LENS	White acrylic 7328
	CONNECTOR	Terminal ring star, insulated vinyl, 22-18 AWG #8, Red
	GROMMET	Black SBR rubber .50" HD x 1/16" MT x 3/8" ID x 5/8" FD x 1/4" OH
	DRIVER	HW1260LED Keystone Driver
EXTERNALS	HOUSING	Extrusion, aluminum 6061, 4.00"L x 4.00"W x 2.50"H Extrusion, brass, C27200, 4.00"L x 4.00"W x 2.50"H
	TOP	Aluminum 6061 flat or angle top, Angle Top (4-7/8"H) Flat Top (4-1/8"H) Brass C27200 flat top only (3-3/4" H)
	CANOPY	Aluminum 6061 Brass C27200
	HARDWARE	Phillips pan head #8 x 1.00" Type "A" stainless steel
	FINISH	Aluminum: Black or Bronze texture (Standard) See page 4 for more powder coat options. Brass: Unfinished (Standard) See page 4 for more powder coat and acid treatment options.
	LISTINGS	ETL, IP65, CE IES files available for download.

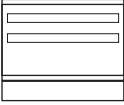


**FOCUS INDUSTRIES INC.**  
25301 COMMERCENTRE DRIVE  
LAKE FOREST, CA. 92630  
949.830.1350 | TOLL FREE: 888.882.1350  
WWW.FOCUSINDUSTRIES.COM



# SL69 POST TOP LIGHTS SPEC SHEET

SL69



PROJECT:

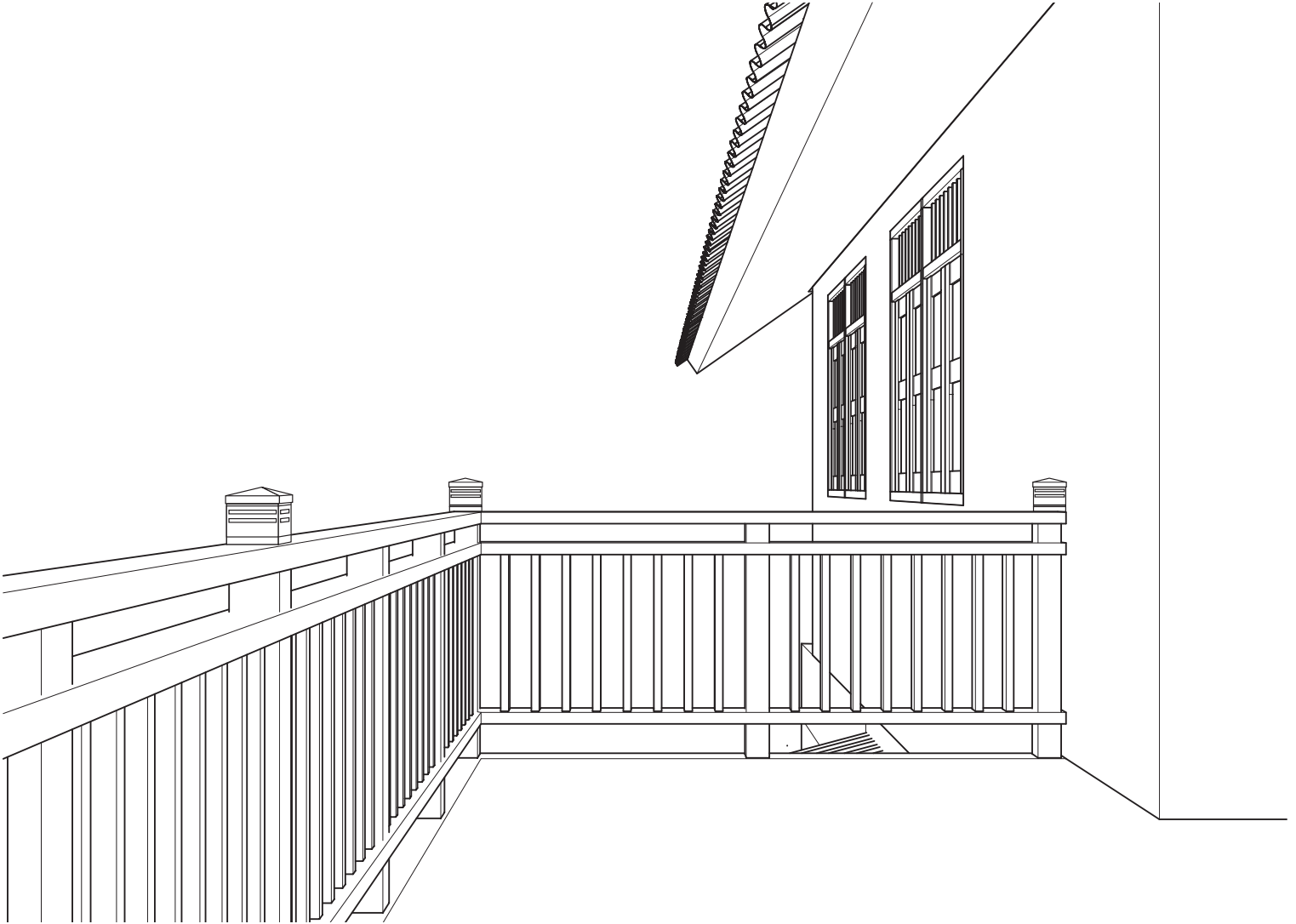
TYPE:

DATE:

CATALOG NUMBER:

## APPLICATION EXAMPLE

Images not to scale. Used to show how fixture is applied.



**FOCUS INDUSTRIES INC.**  
25301 COMMERCENTRE DRIVE  
LAKE FOREST, CA. 92630  
949.830.1350 | TOLL FREE: 888.882.1350  
WWW.FOCUSINDUSTRIES.COM

DESIGNED  
MANUFACTURED  
IN THE USA



# SL69 POST TOP LIGHTS SPEC SHEET

SL69

PROJECT: \_\_\_\_\_ TYPE: \_\_\_\_\_ DATE: \_\_\_\_\_  
 CATALOG NUMBER: \_\_\_\_\_

## LED DATA

### 12v OMNI 3 DATA

L#	CCT	CRI	WATTS	LUMENS	RATED HOURS
L10	3000K	80	3	300	50,000
L12	3000K	80	3	300	50,000
L13	2700K	80	3	270	50,000
L14	3000K	80	3	270	50,000
L15	2700K	80	3	270	50,000
L16	3000K	80	3	270	50,000
L17	Amber	~	3	(585-595nm)	50,000
L18	Amber	~	3	(585-595nm)	50,000

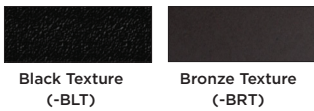
### 120v OMNI 3 DATA

L#	CCT	CRI	WATTS	LUMENS	RATED HOURS
L160	3000K	80	3	400	50,000

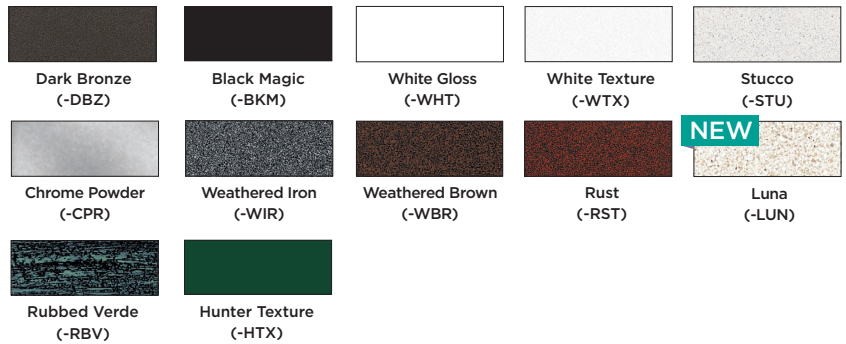


## FINISHES

### STANDARD FINISHES



### PREMIUM FINISHES

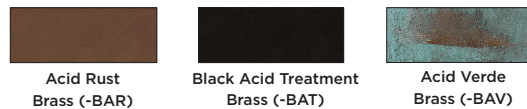


### CUSTOM FINISHES Supply RAL or Pantone here

**RAL #:** \_\_\_\_\_  
 Need help finding a RAL color?  
<https://www.ralcolor.com/>

**PANTONE #:** \_\_\_\_\_  
 Need help finding a Pantone color?  
<https://www.pantone.com/color-finder>

### ACID FINISHES Brass and Copper fixtures only



**FOCUS INDUSTRIES INC.**  
 25301 COMMERCENTRE DRIVE  
 LAKE FOREST, CA. 92630  
 949.830.1350 | TOLL FREE: 888.882.1350  
 WWW.FOCUSINDUSTRIES.COM

