

AL18LG AUTO IGNITE COPPER TORCH SPEC SHEET

AL18LGA1

PROJECT: _____ TYPE: _____ DATE: _____

CATALOG NUMBER: _____



CATALOG ORDER LOGIC

EXAMPLE: AL18LGNGAI120VCOP

FIXTURE

AL Area Light

TYPE

18LG

HAT TYPE

- BLANK Smooth Hat
- HH Hammered Hat

GAS TYPE

- NG Natural Gas
- P Propane

TORCH FEATURE

AI Auto Ignition

VOLTAGE TYPE

- 12V 12 Volt
- 120V 120 Volt

FINISH (standard finishes listed)

COP Unfinished-Copper

Premium and Acid Finishes (See page 4 for more color options)

SHIP WEIGHT

Copper ~

ADDITIONAL INFORMATION

Sleeve options available in simulated bamboo (2 color options) or copper tube.
Automatic ignition system
Natural Gas or Propane

Automatic ignition system provides a flip-off-switch convenience for igniting and turning off your gas torch. Can be linked to your existing exterior 12-volt or 120-volt lighting system, or placed on a separate circuit. Timer may be used to plug into and use or controlled by an app.



Hammered Hat
(Bamboo Sleeve)



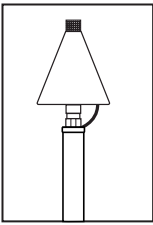
Smooth Hat
(Copper Sleeve)

LAYOUT AND INSTALLATION MUST BE CONSULTED BY A LICENSED PLUMBER AND ELECTRICIAN



FOCUS INDUSTRIES INC.
25301 COMMERCENTRE DRIVE
LAKE FOREST, CA. 92630
949.830.1350 | TOLL FREE: 888.882.1350
WWW.FOCUSINDUSTRIES.COM





AL18LG AUTO IGNITE COPPER TORCH SPEC SHEET

AL18LGA1

| | | |
|-----------------|-------|-------|
| PROJECT: | TYPE: | DATE: |
| CATALOG NUMBER: | | |

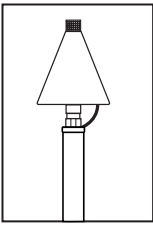
SPECIFICATIONS

| | | |
|-------------------------------|--|--|
| <p>TORCH INTERNALS</p> | <p>VOLTAGE GAS SOLENOID FLAME SENSOR IGNITOR NIPPLE VENTURI BURNER CAP RING INSERT WIRING SCREW</p> | <p>12 Volt / 120 Volt Brass 3/8" normally closed solenoid valve for natural gas or propane Active flame detection sensor Nitried silicon hot surface ignitor sensor Black steel nipple, 1/2" NPT x 1.5" L / 1/2" NPT x 6.00" L Brass venturi gas controller pin for propane .050" thru hole Brass gas burner cap with holes 1" x .875", 1/2" NPT female 304 stainless steel perforated ring insert 29mm OD 18AWG UL3071 SF2 green (ground), 18AWG UL1015 16 STRN 600v 105°C red Pan head phillips 8-32 x 1/4" PP stainless steel</p> |
| <p>BOX INTERNALS</p> | <p>TRANSFORMER CORE GASKET CONTROLLER</p> | <p>25VA, 12.5V out, 120V 50/60Hz In with conformal coating (For 120V) DB12-300 9" x 9" x .190th black close cell sponge Ignition control module (By Channel Products)</p> |
| <p>TORCH EXTERNAL</p> | <p>HAT BOTTOM PLATE DIFFUSER ADAPTER MOUNTING ADAPTER BODY MOUNT COUPLER TUBING TUBING SCREWS</p> | <p>Copper housing, smooth or hammered Copper bottom plate accessory 7.4" OD x 0.050" with 4 holes 304 stainless steel flame diffuser cylinder , 2" OD x 1.70" H Brass stem adapter, 1" OD x .75", 0.504" ID Brass mounting adapter, 1" NPT female / 1" NPT male Brass body mount, 1/2" NPT female, 3 mounting holes Brass threaded air coupler, 1/2" NPT female Extrusion, Aluminum 6063, round tube, .5" OD x .37" ID x 12' L, 0.065" W Extrusion, Brass, C27200, round tube, 0.5" OD, .37" ID x 12' L, 0.065" W Pan head phillips 8-32 x 1/4" PP stainless steel (x6)</p> |
| <p>BOX EXTERNAL</p> | <p>BOX COVER DIRECT BURIAL BOX BREATHER POWER CORD FITTINGS SCREWS</p> | <p>Bronze cover DB 10" x 10" ABS UV stabilized Bronze box DB 9" x 9" x 7" ABS UV stabilized 1/2" NPS submersable breather vent 3WC 18/3 SJOOW #5431-2071X Black wire PG9 nickel plated brass liquid fitting, PG9 size hex plug nickel plated brass Buna-n o-ring Phillips flat head #10 x 3/4" type "B" stainless steel (x4)</p> |



FOCUS INDUSTRIES INC.
 25301 COMMERCENTRE DRIVE
 LAKE FOREST, CA. 92630
 949.830.1350 | TOLL FREE: 888.882.1350
 WWW.FOCUSINDUSTRIES.COM





AL18LG AUTO IGNITE COPPER TORCH SPEC SHEET

AL18LGA1

PROJECT:

TYPE:

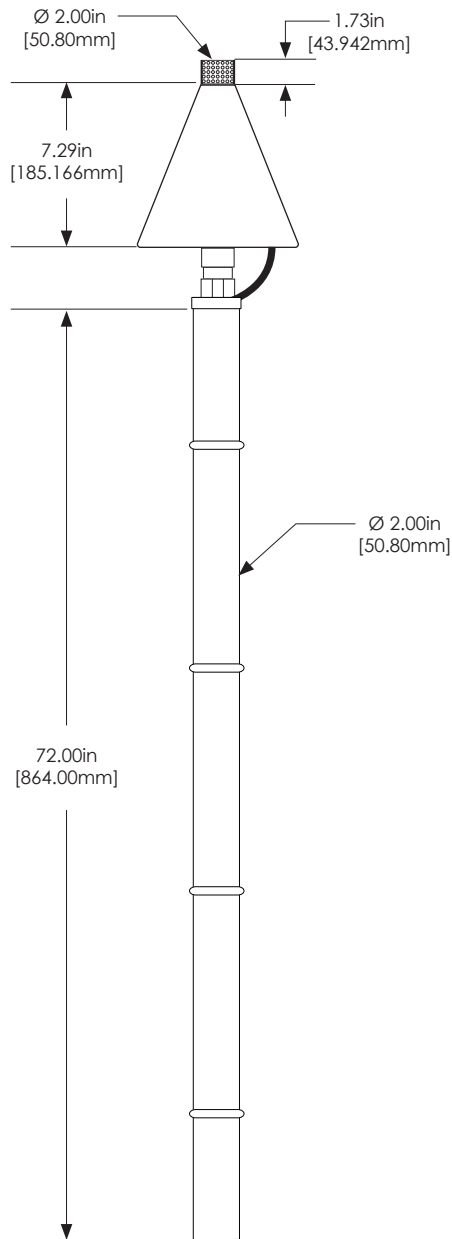
DATE:

CATALOG NUMBER:

DIMENSIONS

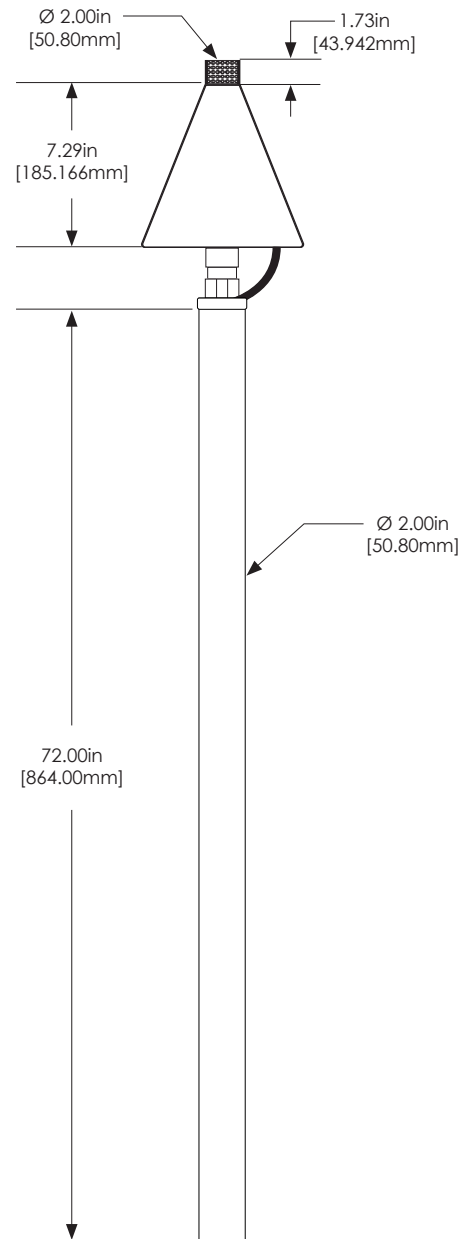
Dimensions Shown with Bamboo Sleeve (12V/120V)

2" dia. Bamboo Sleeve



Dimensions Shown with Copper Sleeve (12V/120V)

2" dia. Copper Sleeve



FOCUS INDUSTRIES INC.
 25301 COMMERCENTRE DRIVE
 LAKE FOREST, CA. 92630
 949.830.1350 | TOLL FREE: 888.882.1350
 WWW.FOCUSINDUSTRIES.COM





AL18LG AUTO IGNITE COPPER TORCH SPEC SHEET

AL18LGA1

PROJECT:

TYPE:

DATE:

CATALOG NUMBER:

ACCESSORIES

(Configure and order accessories separately)

Sleeves



FAAIS6FCOP
6.00" x 2.00" dia.
(12-120v)



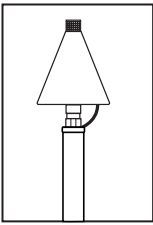
FASBUVR62MB
6.00" x 2.00" dia.
(12-120v)



FOCUS INDUSTRIES INC.
25301 COMMERCENTRE DRIVE
LAKE FOREST, CA. 92630
949.830.1350 | TOLL FREE: 888.882.1350
WWW.FOCUSINDUSTRIES.COM

DESIGNED
MANUFACTURED
IN THE USA

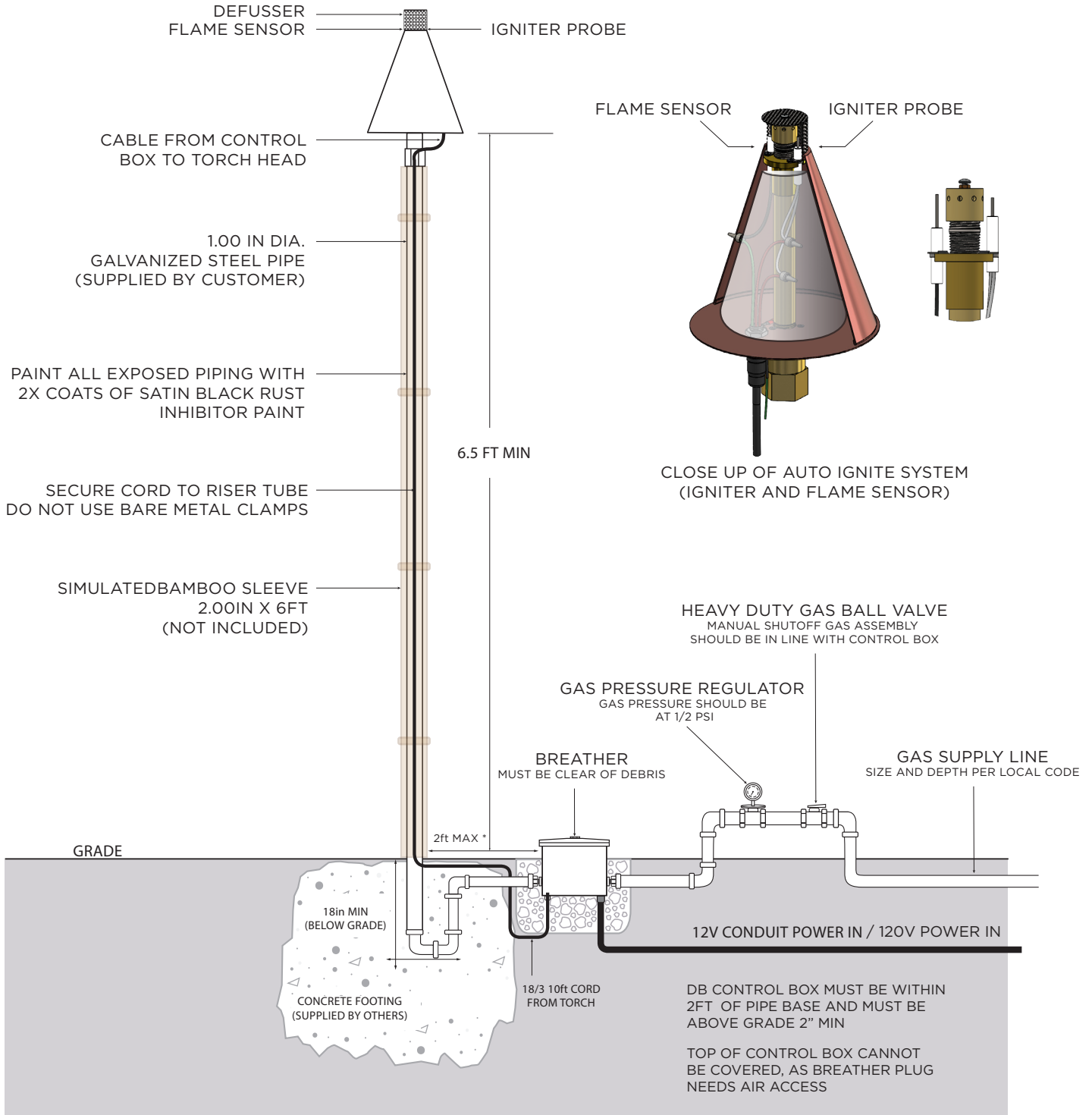




AL18LG AUTO IGNITE COPPER TORCH SPEC SHEET

AL18LGA1

| | | |
|-----------------|-------|-------|
| PROJECT: | TYPE: | DATE: |
| CATALOG NUMBER: | | |

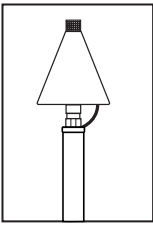


LAYOUT AND INSTALLATION MUST BE CONSULTED BY A LICENSED PLUMBER AND ELECTRICIAN



FOCUS INDUSTRIES INC.
 25301 COMMERCENTRE DRIVE
 LAKE FOREST, CA. 92630
 949.830.1350 | TOLL FREE: 888.882.1350
 WWW.FOCUSINDUSTRIES.COM





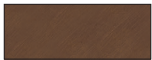
AL18LG AUTO IGNITE COPPER TORCH SPEC SHEET

AL18LGA1

| | | |
|-----------------|-------|-------|
| PROJECT: | TYPE: | DATE: |
| CATALOG NUMBER: | | |

FINISHES

ACID FINISHES Brass and Copper fixtures only



Acid Rust
Brass (-BAR)
Copper (-CAR)



Black Acid Treatment
Brass (-BAT)
Copper (-BAT)



Acid Verde
Brass (-BAV)
Copper (-CAV)



landscape • architectural • hospitality • entertainment • illumination

FOCUS INDUSTRIES INC.
25301 COMMERCENTRE DRIVE
LAKE FOREST, CA. 92630
949.830.1350 | TOLL FREE: 888.882.1350
WWW.FOCUSINDUSTRIES.COM

DESIGNED
MANUFACTURED
IN THE USA

