



landscape • architectural • hospitality • entertainment • illumination

INSTALLATION INSTRUCTIONS - AUTO IGNITE TORCH

120 VOLT

AUTO IGNITE TORCH WITH DIRECT BURIAL CONTROL BOX: INSTALLATION INSTRUCTIONS FOR 120-VOLT

BEFORE YOU BEGIN

If you smell gas:

- 1) Extinguish any open flame
- 2) Do not light any other appliance or Torch
- 3) Call gas company immediately
- 4) Make sure gas is turned off at source and gate valve.



CAUTION

Ensure manual gas valve is completely closed after shutdown, and turn off switch. Improper installations, adjustment, alteration, or service can cause injury and/or property damage, and may void warranty. For assistance or additional safety information, consult a qualified licensed installer.

Auto Torch is a direct ignition device. If unsupervised, gas flow is detected DO NOT LIGHT. Shut off the manual valve, and the on/off switch to lighting the torch.

CLEARANCES

Minimum of 4ft around combustible walls, plants, etc.

No obstructions overhead such as roof overhangs, patio covers, tree limbs, etc.

For burn hazard potential, bottom of torch body MUST be no lower than 6.5ft from any type of flooring and no greater than 7.5ft

INSTALLATION

Install connections into control box with proper fittings for gas and electrical. (See page 4-5) The gas supply lines must meet the requirements of the latest National Fuel Gas Code (ANSI Z223.1) Check that a proper gas pressure regulator is supplied upstream of the whole assembly to maintain proper gas flow and pressure. 1in diameter galvanized steel pipe, Tee fitting, regulator, hose, and brass half union fitting (Flairx NPT) are used. See attached diagram on pages 2-3 for more installation details.

LIGHTING AND SHUT DOWN

Turn on manual gas valve. If torch does not ignite after 15 seconds, or you begin to smell gas, turn off the valve and wait 5 minutes. Check diffuser, and burner inside for any obstructions before attempting to ignite again. To turn off completely, close the manual valve all the way and turn off the on/off switch. Ensure it is completely closed, and switch is turned off.

PRECAUTIONS

Each torch requires a specific orifice for Propane Gas. Orifice is stamped with "P" for Propane Gas. Call Focus Industries before attempting to convert gas type.

Shut down Torch in the event of moderate to severe storm conditions

Ensure rigidity of the steel pipe conduit/support with another anchored device. DO NOT install Torch in a location where general public or heavy objects may lean or bump into any part of the Torch housing, pipe, and valve.

Torch housing can become very hot after long operation. Use caution around Torch to avoid burn.

The flame should appear yellow with some blue at the base of the flame. This indicates that fuel is burning properly and there are diminished amounts of dangerous burned particles of combustion.

Propane Gas requires normal inlet pressure of 7in water column.

For replacement parts or questions please contact Focus Industries Toll Free at (888)882-1350.

DO NOT INSTALL DIRECT BURIAL IN TURF! (WARRANTY WILL BE VOID)

BREATHING PLUG ON TOP OF LID MUST BE CLEAR OF ALL DEBRIS FOR PROPER VENTILATION! (WARRANTY WILL BE VOID)

DIRECT BURIAL MUST BE INSTALLED 2-3IN MINIMUM ABOVE GRADE! (WARRANTY WILL BE VOID)

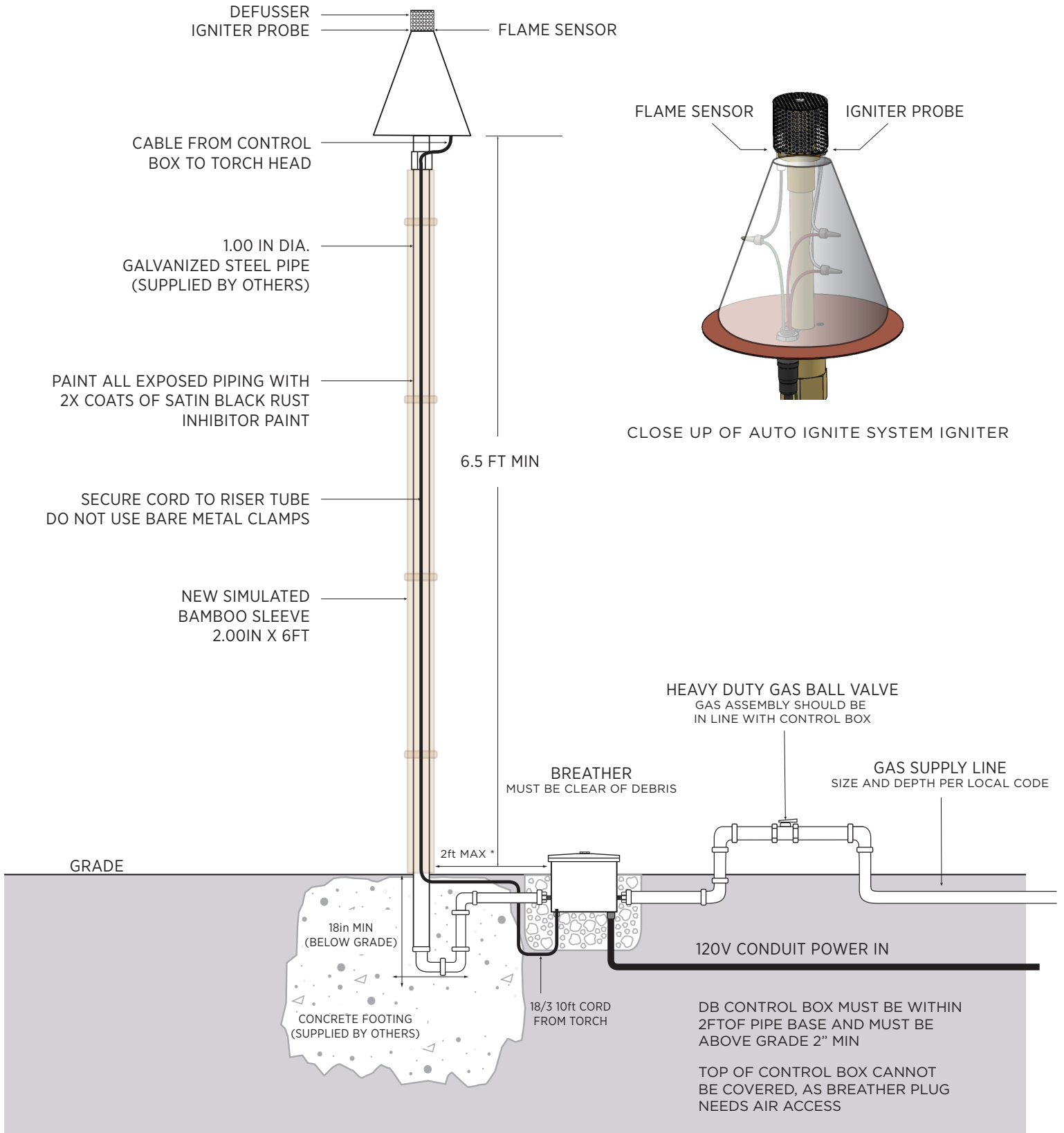


landscape • architectural • hospitality • entertainment • illumination

INSTALLATION INSTRUCTIONS - AUTO IGNITE TORCH

120 VOLT

AUTO IGNITE TORCH WITH DIRECT BURIAL CONTROL BOX: INSTALLATION INSTRUCTIONS





landscape • architectural • hospitality • entertainment • illumination

INSTALLATION INSTRUCTIONS - AUTO IGNITE TORCH

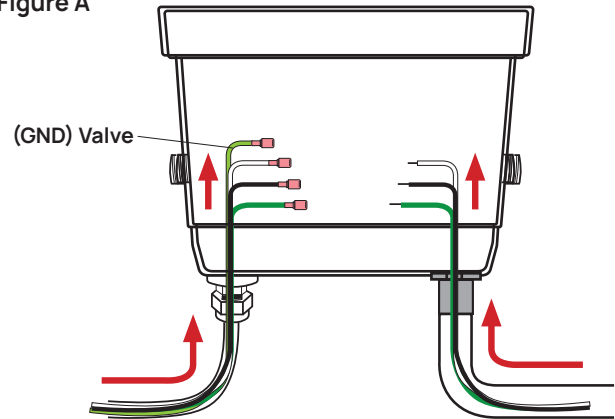
120 VOLT

AUTO IGNITE TORCH WITH DIRECT BURIAL CONTROL BOX: INSTALLATION INSTRUCTIONS FOR 120-VOLT

DB WIRE INSTALLATION: Figure A

1. Feed torch wire through the bottom of the Direct Burial Unit.
2. Use supplied 10ft cord and GND wire with liquid tight connector through 1/2in threaded port. (Quick connect supplied)
3. Feed 120-Volt input power through 1/2in NPS port.
4. Use 120-Volt wire from transformer.
5. White wire to white wire.
6. Black wire to black wire
7. Ground wire to all GND wires

Figure A

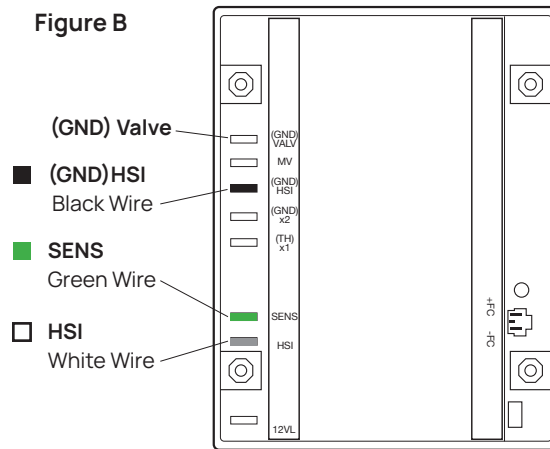


TERMINAL STRIP PLUG-IN: Figure B

1. Place input torch wires into respective terminal strip locations on the controller unit.
2. Black wire connects to - (GND) HSI
3. White wire connects to - HSI
4. Green wire connects to - SENS

Note: See next page for more detail.

Figure B



GAS LINE CONNECTIONS:

1. Use 1/2in NPT gas in.
2. Attach primary hose to 1/2in input from gas line to valve in direct burial.
3. Use 1/2in NPT gas out.
4. Attach secondary hose to 1/2in output from torch to valve in direct burial.

SUPPLYING POWER:

1. Connect direct burial unit to power supply.
2. Turn on at gas source.
3. Test torch by auto igniting to ensure everything is working properly.

BEFORE YOU BEGIN

If you smell gas:

- 1) Extinguish any open flame
- 2) Do not light any other appliance or Torch
- 3) Call gas company immediately
- 4) Make sure gas is turned off at source and gate valve.



CAUTION

Ensure manual gas valve is completely closed after shutdown, and turn off switch. Improper installations, adjustment, alteration, or service can cause injury and/or property damage, and may void warranty. For assistance or additional safety information, consult a qualified licensed installer.

Auto Torch is a direct ignition device. If unsupervised, gas flow is detected DO NOT LIGHT. Shut off the manual valve, and the on/off switch to lighting the torch.