

LED BBQ LIGHT

BQ02

PROJECT:

TYPE:

DATE:

CATALOG NUMBER:



CATALOG ORDER LOGIC

EXAMPLE: BQFD02L48SS

FIXTURE

BQ Barbecue Light

MOUNTING

- FD Flex Deck (For 12 Volt and 120 Volt)
- TM Top Mount (For 12 Volt and 120 Volt)
- FC5 Focus Clamp 5 inch (For 12 Volt and 120 Volt)
- QC Quick Connect (For 12 Volt)

TYPE

02 Angled Bullet

12 VOLT LED

WATT

SOCKET

KELVIN

LUMEN

<input type="checkbox"/> L48	7w	GU5.3 Bi-Pin	2700K	550lm
------------------------------	----	--------------	-------	-------

120 VOLT LED

WATT

SOCKET

KELVIN

LUMEN

<input type="checkbox"/> L134	7w	E26 Medium Base	3000K	550lm
-------------------------------	----	-----------------	-------	-------

FINISH (standard finishes listed)

SS 316 Brushed Stainless Steel

POWER SUPPLIES (Order separately)

- BQFA03 Kit 2: FA05 quick connector and 20' 18/2 wire to existing voltage systems
- BQFA04 Kit 3: 9ft power cord 18/3 SJTW with plug

SHIP WEIGHT

Stainless Steel 316 (2.0lbs)

ADDITIONAL INFORMATION

120 volt option uses 7w PAR16 medium base LED

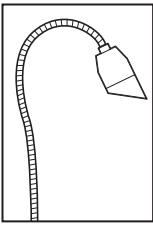


landscape • architectural • hospitality • entertainment • illumination

FOCUS INDUSTRIES Inc.
 25301 COMMERCENTRE DRIVE
 LAKE FOREST, CA. 92630
 949.830.1350 | TOLL FREE: 888.882.1350
 WWW.FOCUSINDUSTRIES.COM

DESIGNED
MANUFACTURED
IN THE USA





LED BBQ LIGHT

BQ02

PROJECT:

TYPE:

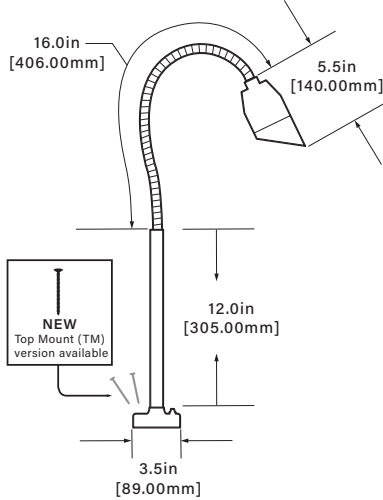
DATE:

CATALOG NUMBER:

DIMENSIONS

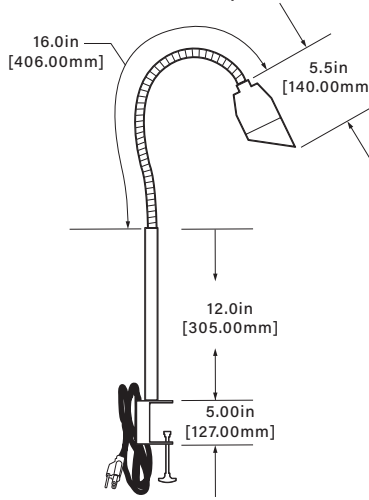
Dimensions Shown with Deck Mount (12-120V)

Standard



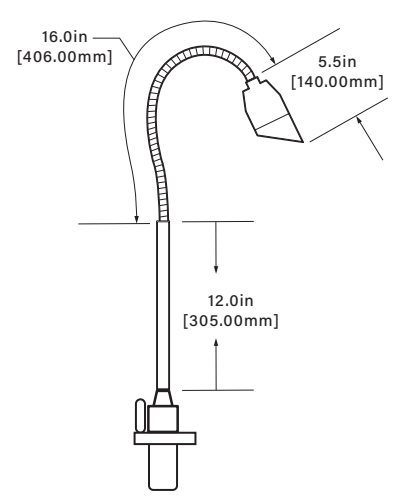
Dimensions Shown with FC3/FC5 (12-120V)

Focus 3" or 5" Clamp



Dimensions Shown with QC (12-120V)

Quick Connect



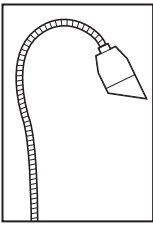
SPECIFICATIONS

INTERNALS	VOLTAGE	12V-120v
	WIRING	12v: Black 4 foot 18/2 zip cord from base of fixture. For 25 foot 16/2 fixture lead wire add -25F to catalog number 120V: 18G Black, White, and Green (Ground) with M4 ring terminal UL 1007-16"
	O-RING	2x - 70 Durometer 400° red silicone, 1.7" ID, 1.75mm th
	NIPPLE	.50" zinc plated steel .25" IPS (A50)
	CONNECTOR	Close ended cimp cap nylon, 22-14 AWG, clear
	HARDWARE	Plastic bushing .25" IPS pipe hole Brass hex nut .125" IPS x .50" dia. x .09375" th Hickey .75" H, with 2 holes threaded .25" IPS-316 Stainless Steel Spring wire dia. .0540 L 2.700 outside dia. 1.3650
EXTERNALS	HOUSING	316 Brushed Stainless Steel body, .125" IPS hole, machine finish
	CAP	316 Brushed Stainless, machine finish
	MATERIALS	316 Stainless Steel
	STEM	16.00" Stainless Steel flex arm, 12.00" Stainless Steel Rod, CLR
	MOUNT	12 volt - 120 volt: Deck mount, Top mount, 5" Clamp, 12 volt Only: Quick Connect
	LENS	Glass lens, clear tempered, 2.18" OD x .125", ± .03"
	SWITCH	Black boot, J961. On/Off switch 12v/120v, 3A 250VAC/6A 125VAC/2A 125VL/6A 14 VT
	FINISH	316 Stainless Steel
	LISTINGS	IP66. ETL rated for Indoor / Outdoor use. Suitable for wet locations



FOCUS INDUSTRIES Inc.
 25301 COMMERCENTRE DRIVE
 LAKE FOREST, CA. 92630
 949.830.1350 | TOLL FREE: 888.882.1350
 WWW.FOCUSINDUSTRIES.COM





LED BBQ LIGHT

BQ02

PROJECT:

TYPE:

DATE:

CATALOG NUMBER:



Power Kits



BQFA03
KIT #2
(12v)

Kit Includes: FA05 Quick Connector
and 20FT 18/2 Wire To Existing
Voltage Systems



BQFA04
KIT #3
(120v)

Kit Includes: 9' Power Cord
18/3 SJTW with Plug

MOUNTING



FD
Deck Mount
(12-120v)



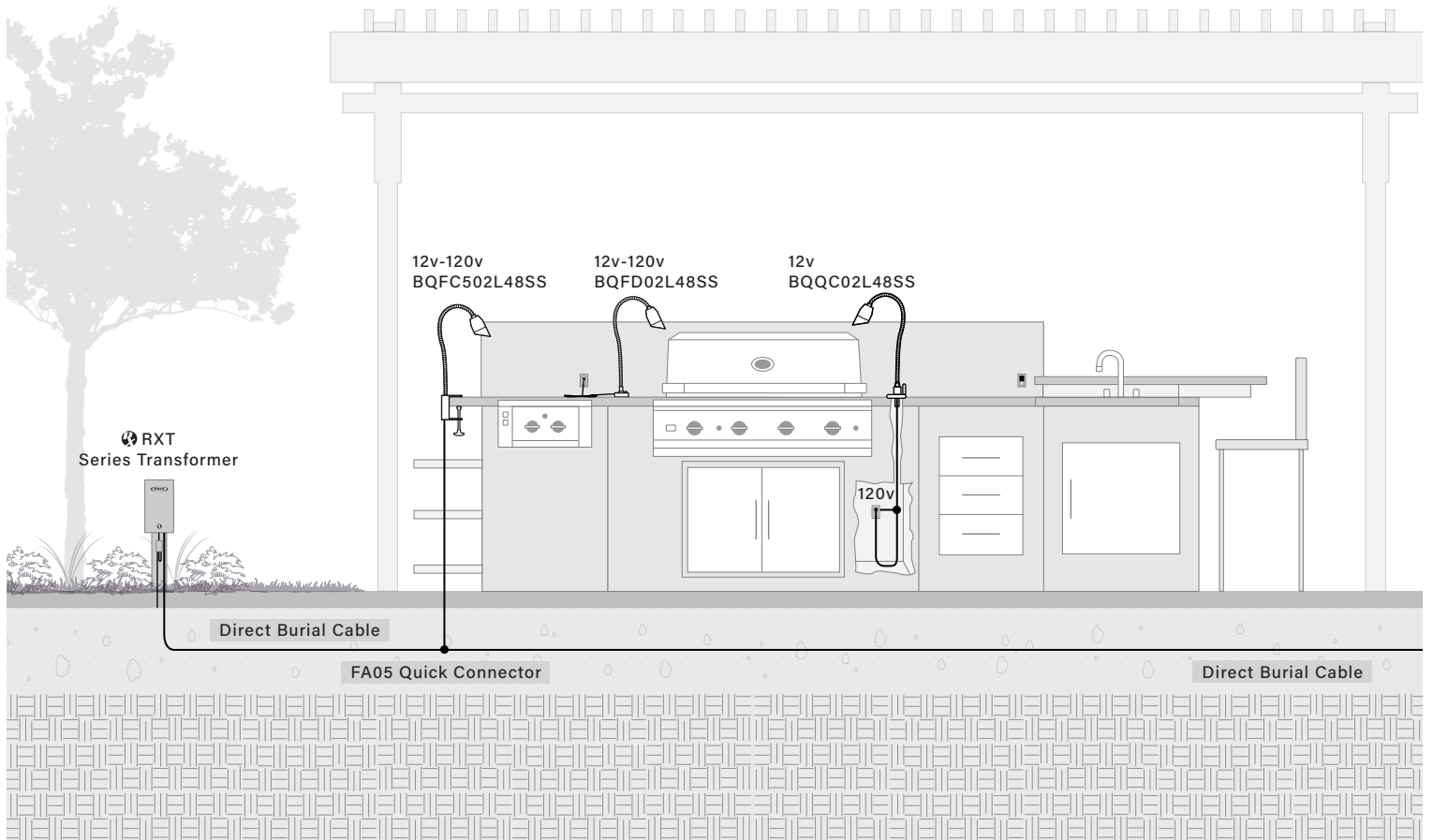
TM
Top Mount
(12-120v)



FC5
5" Clamp
(12-120v)



QC
Quick Connect
(12v)



IP66

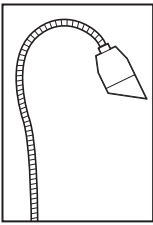


landscape • architectural • hospitality • entertainment • illumination

FOCUS INDUSTRIES Inc.
 25301 COMMERCENTRE DRIVE
 LAKE FOREST, CA. 92630
 949.830.1350 | TOLL FREE: 888.882.1350
 WWW.FOCUSINDUSTRIES.COM

DESIGNED
 MANUFACTURED
 IN THE USA





LED BBQ LIGHT

BQ02

PROJECT:

TYPE:

DATE:

CATALOG NUMBER:

LIGHT DISTRIBUTION



12v MR16 LED DATA

L#	CCT	CRI	WATTS	LUMENS	RATED HOURS
L48	3000K	83	7	550	50,000



120v PAR16 LED DATA

L#	CCT	CRI	WATTS	LUMENS	RATED HOURS
L134	3000K	83	3	550	40,000



landscape • architectural • hospitality • entertainment • illumination

FOCUS INDUSTRIES Inc.
 25301 COMMERCENTRE DRIVE
 LAKE FOREST, CA. 92630
 949.830.1350 | TOLL FREE: 888.882.1350
 WWW.FOCUSINDUSTRIES.COM

DESIGNED
 MANUFACTURED
 IN THE USA

