



Designed
In the USA



landscape • architectural • hospitality • entertainment • illumination



ALUMINUM • BRASS

SL64 Designer Cube

ARCHITECTURAL



STAY FOCUSED... WE'LL MAKE IT YOUR WAY!



SL64CD CUSTOM DESIGN LED CUBE

12 VOLT

Focus Industries Specialty Lights

12-volt 3w MR16 SS LED

Beautiful Aluminum or Brass side and bottom-lit square cube, the Designer Cube with it's high impact frosted acrylic lens, and iridescent gold glass sides emits a warm glow, or stunning color to set the mood of it's surrounding architecture, whether it be interior or exterior, on a wall, columns, posts, accent walls, entrances, gates it can add unique light in a subtle way—12 volt transformer required. Standard design patterns for the designer cube include Hibiscus, Plumeria, and Hawaiian Fish Hook. More custom designs or patterns available. For further information, contact factory.



SL64DL24IGCD502WHT

SL64DL24IGCD502DBZ

Size: 4.00" 4.00" Sq.

Material: Aluminum

Material Option: Brass

Finish: White Gloss | Dark Bronze

LED: 3w MR16 SS LED (L24) (LED options on Back)

CCT: 3000K

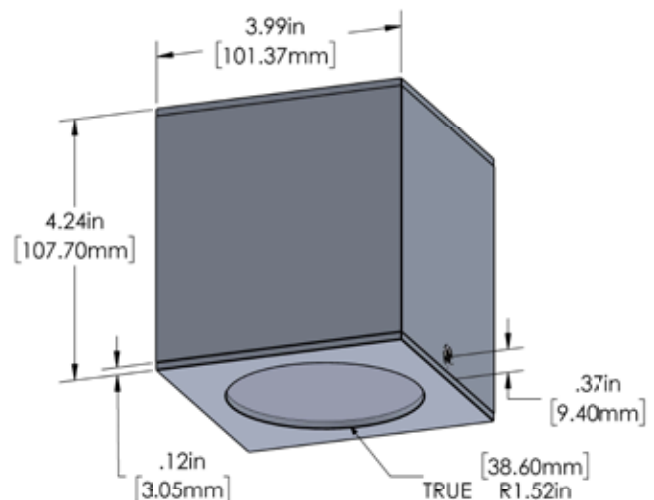
Lumens: 270lm

Lens: Gold Iridescent Glass, White Acrylic, Cracked Ice

Color Options:



AMBER RED BLUE GREEN



TO PLACE ORDERS – TOLL FREE (888)882.1350
ORDERS@FOCUSINDUSTRIES.COM

IP67



ARCHITECTURAL

12Volt



LED & LENS OPTIONS



(FLEEDMR16SS3W)

3W MR16, GU5.3 BI-PIN BASE,
(L22) 15°, (L24) 36°, (L26) 80°
270 Lumen, 3000K, 40,000 hr



(FLEEDMR16SS1203W)

3W MR16, GU10 BASE,
(L106) 15°, (L108) 36°, (L110) 80°
270 Lumen, 3000K, 40,000 hr



(RFLM106R30120)

6W EOS Module
500 Lumen, 3000K



(FLEEDMR16SS5W)

5W MR16, GU5.3 BI-PIN BASE,
(L34) 15°, (L36) 36°, (L38) 80°
270 Lumen, 3000K, 40,000 hr



(FLEEDMR16SS1205W)

5W MR16, GU10 BASE,
(L114) 15°, (L116) 36°, (L118) 80°
270 Lumen, 3000K, 40,000 hr



(RFLM113R30120)

13W EOS Module
900 Lumen, 3000K



(FLEEDMR16SS7W)

7W MR16, GU5.3 BI-PIN BASE,
(L46) 15°, (L48) 36°, (L50) 80°
270 Lumen, 3000K, 40,000 hr

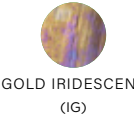


(FLEEDMR16SS1207W)

7W MR16, GU10 BASE,
(L124) 15°, (L126) 36°, (L128) 80°
270 Lumen, 3000K, 40,000 hr



WHITE ACRYLIC
(WL)



GOLD IRIDESCENT
(IG)



CRACKED ICE
(CI)

STANDARD FINISHES



Black Texture
(-BLT)



Bronze Texture
(-BRT)

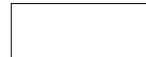
PREMIUM FINISHES



Dark Bronze
(-DBZ)



Black Magic
(-BKM)



White Gloss
(-WHT)



White Texture
(-WTX)



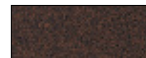
Stucco
(-STU)



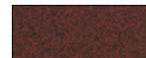
Chrome Powder
(-CPR)



Weathered Iron
(-WIR)



Weathered Brown
(-WBR)



Rust
(-RST)



Luna
(-LUN)



Rubbed Verde
(-RBV)



Hunter Texture
(-HTX)

CUSTOM FINISHES (Supply RAL or Pantone here)

RAL #:

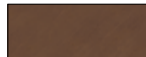
Need help finding a RAL color?
<https://www.ralcolor.com/>

PANTONE #:

Need help finding a Pantone color?
<https://www.pantone.com/color-finder>

ACID FINISHES

Brass and Copper fixtures only



Acid Rust
Copper (-CAR)
Brass (-BAR)



Black Acid Treatment
(-BAT)



Acid Verde
Copper (-CAV)
Brass (-BAV)

* Powder Coat Finishes over Brass are custom and **Non-Returnable**



SCAN FOR FULL SIZE
COLOR SWATCHES



DESIGNED,
MANUFACTURED,
IN THE USA



25301 Commercentre Drive, Lake Forest, CA. 92630
(949) 830-1350 | (888)882-1350 | www.focusindustries.com

TO PLACE ORDERS – TOLL FREE (888)882.1350
ORDERS@FOCUSINDUSTRIES.COM

FOR MORE INFORMATION
MARKETING@FOCUSINDUSTRIES.COM