

FOCUS DRIVERS

12V AC/DC LED DRIVERS

PROJECT:	TYPE:	DATE:
CATALOG NUMBER:		



CATALOG ORDER LOGIC

EXAMPLE: HW121070012LED

OUTPUT POWER

10W

INPUT VOLTAGE

9V to 15V AC

OUTPUT VOLTAGE

12V DC

OUTPUT CURRENT

700mA

DIMMABLE

Standard ELV or Triac Dimmer

POTTED

Yes

CASE

Anodized Aluminum

DIMENSIONS

Ø1.00" x 0.75"

INPUT WIRE SIZE

18 AWG, 6.00" Length

OUTPUT WIRE SIZE

18 AWG, 6.00" Length

INPUT WIRE COLOR

Yellow (No polarity)

OUTPUT WIRE COLOR

Red (+) / Black (-)

INSTALLATION

Inside JBox 25ft of fixture 18/2 wire. Direct Burial if protected in heat shrink

WARRANTY

5 Years

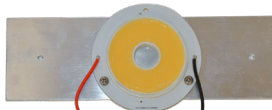
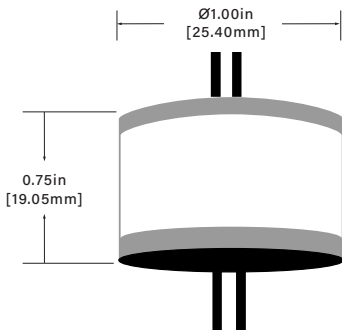
LISTINGS

IP67. UL8750. FCC Compliant

ADDITIONAL INFORMATION

For 8w LED Panels

DIMENSIONS



Powers single 8w Round LED Panel



Powers single 8w LED Panel



FOCUS INDUSTRIES INC.
 25301 COMMERCENTRE DRIVE
 LAKE FOREST, CA. 92630
 949.830.1350 | TOLL FREE: 888.882.1350
 WWW.FOCUSINDUSTRIES.COM

