

# PAR30 LED

PAR30

PROJECT:	TYPE:	DATE:
CATALOG NUMBER:		



### CATALOG ORDER LOGIC

EXAMPLE: FLLEDP3015

### FIXTURE

FL Focus Lamp

### Series

LED

### TYPE

P30 (PAR30 E26)

### TYPE

SS (Super Saver)

### BEAM ANGLE

- 15 L148 (15° Beam Angle)
- 36 L150 (36° Beam Angle)

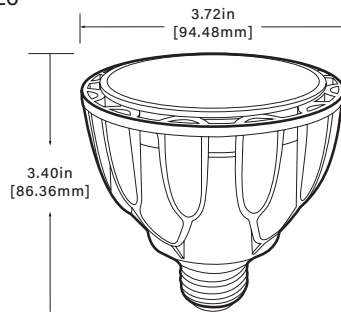
### ADDITIONAL INFORMATION

- Equivalent to 90W halogen
- Cool Beam (No UV or IR)
- Energy Efficient
- Environmentally Friendly
- Must be installed in a sealed fixture
- Assumes No More Than a 12 Hour Operation
- 3 Year Limited Warranty
- RoHS Compliant
- 25,000 Hour Rated Life

### DIMENSIONS

#### Dimensions Shown

PAR30 E26



### 277 VERSION (NON-DIMMABLE)



### BEAM ANGLES

- 15° ..... L152
- 36° ..... L154

### SPECIFICATIONS

INTERNALS	VOLTAGE	277V
	WATTAGE	10W (Equivalent to 90W Halogen)
	LUMENS	1000LM
	CCT	3000K
	CRI	85
	DIMMABLE	To 10% (120V AC Only)
	POWER FACTOR	90%
	RATED LIFE	25,000 Hrs



landscape • architectural • hospitality • entertainment • illumination

**FOCUS INDUSTRIES INC.**  
 25301 COMMERCENTRE DRIVE  
 LAKE FOREST, CA. 92630  
 949.830.1350 | TOLL FREE: 888.882.1350  
 WWW.FOCUSINDUSTRIES.COM