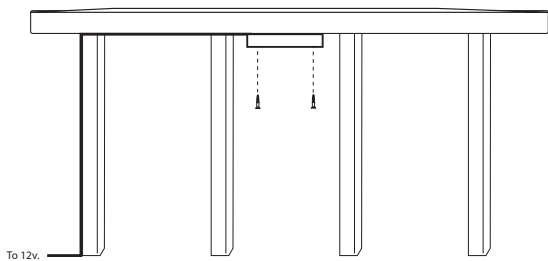


**NOTE: To prevent electrical shock, disconnect transformer from electrical supply before installation or service.**

**RAIL AND DECK MOUNT INSTALLATION:**

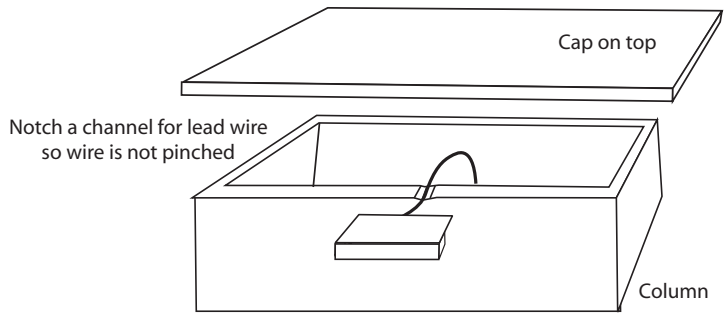
1. Using mounting plate as a template, mark holes for location of mounting screws.
2. Drill pilot holes for two (2) #6 mounting screws (supplied.)
3. Using a Philips #2 screwdriver, attach fixture mounting plate to bottom side of rail, deck overhang or other flat surface.
4. Route lead wire to 12V power source and make connection. We recommend using our FA-05 Quick Connector (sold separately.) Lead wire can be secured to rail or deck surface using staples.
5. Turn on 12V power supply and check for proper operation.



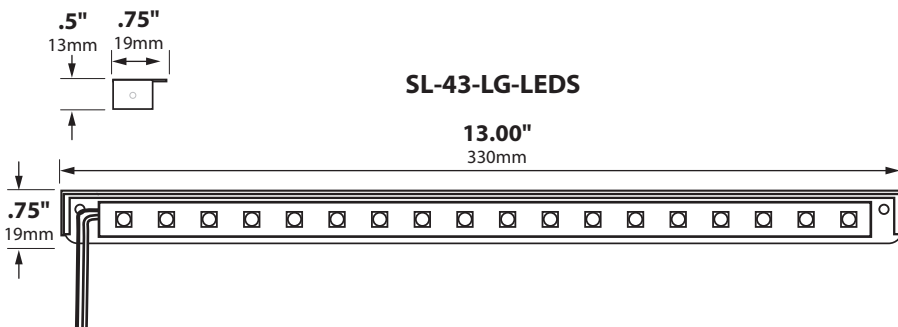
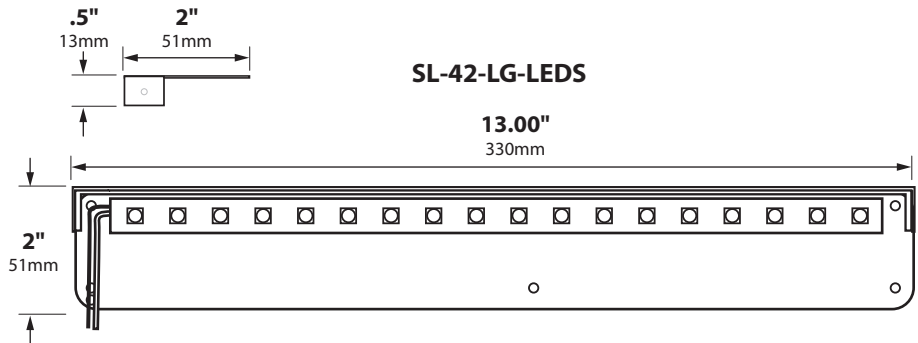
**Rail/deck mount installation**

**HARDSCAPE, BRICK WALL & PAVER INSTALLATION:**

1. Place fixture on surface where it will be installed and note location of 18/2 lead wire exiting back of fixture.
2. Notch a minimum 1/4" wide by 1/8" deep channel at location of 18/2 lead wire.
3. Insert fixture mounting plate between layers of hardscape making sure 18/2 lead wire runs through notch to prevent it from getting pinched. Glue or adhesive may be used to secure the position of fixture if needed.
4. Route lead wire to 12V power source and make connection. We recommend using our FA-05 Quick Connector (sold separately.)
5. Turn on 12V power supply and check for proper operation.



**Hardscape installation**



**LED OPERATION**

The operating voltage range for the LED is 10 to 15 volts AC/DC. The LED driver is integrated into the LED Strip and ensures the LED will operate with equal lumen output when voltage is between 10 to 15 volts.