



landscape • entertainment • architectural • hospitality • illumination

PL-17-S1 SERIES PATH LIGHTS



25301 COMMERCENTRE DRIVE • LAKE FOREST, CA 92630 • 949.830.1350 • 888.882.1350 • FAX 949.830.3390



PATH LIGHTS PL-17-S1 SERIES

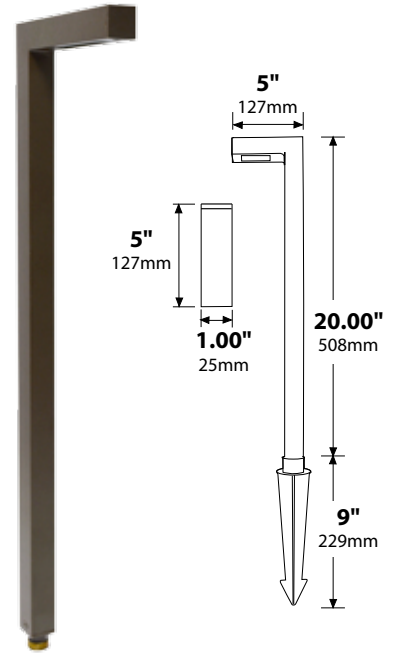


TYPE

SPECIFICATIONS

- CONSTRUCTION:** 1.00" Extruded aluminum or brass L shape design
LENS: High impact sandblasted flat glass
LAMP SUPPLIED: 50,000 hour 3w OMNI-3 Super Saver LED (-LEDSS)
LAMP OPTIONS: 50,000 hour 3w OMNI-3 LED (-LED3) or 40,000 hour 2w LED strip (-LEDS)
SOCKET: Single contact bayonet, brass nickel plated lamp socket screw shell (Ba15s)
WIRING: Black 3 foot 18/2 zip cord from base of fixture (12v only)
 For 25 foot 16/2 fixture lead wire add -25F to catalog number
MOUNTING: FA-03 black 9" ABS stake, tapped 1/2" NPS
FINISH: Aluminum-Black texture polyester powder coat. Optional finishes available.

Note: Not for use with halogen/xenon lamps. Use LED only.



ORDERING INFORMATION

CATALOG NO.	DESCRIPTION	LAMP	SHIP WEIGHT
PL-17-S1-LED3SSBLT	1" Extruded Aluminum Path Light	3w OMNI-3 SS LED	2.0 lbs.
PL-17-S1-LED3BLT	1" Extruded Aluminum Path Light	3w OMNI-3 LED	2.0 lbs.
PL-17-S1-LEDSBLT	1" Extruded Aluminum Path Light	2w LED Strip	2.0 lbs.
PL-17-S1-LED3SSBRS	1" Extruded Brass Path Light	3w OMNI-3 SS LED	2.0 lbs.
PL-17-S1-LED3BRS	1" Extruded Brass Path Light	3w OMNI-3 LED	2.0 lbs.
PL-17-S1-LEDSBRS	1" Extruded Brass Path Light	2w LED Strip	2.0 lbs.

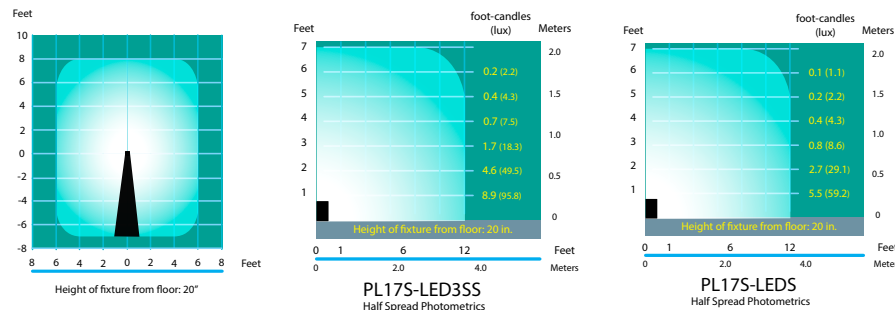


MOUNTING ACCESSORIES

STEM EXTENSIONS

FA-01/BRS (15" 381mm)
 FA-03-RX/-BRS (7.00" 178mm)
 FA-03-3P (4.5" 114mm)
 FA-03-LG (9.00" 229mm)
 FA-03/BRS (2" 51mm)
 FA-22-CST/-BRS (3.5" 89mm)
 FA-22/-BRS (1.125" 28mm)
 FA-24/BRS (3" 76mm)
 DBR-55-JB12NPS (5.00" 127mm)
 FA-JBOX12NPS (3.20" 81mm)
 FA-24-MD-CST/-BRS (2.65" 67mm)
 FA-24-LG-CST / -BRS (4.75" 121mm)
 FA-24-LG-SPUN / -BRS (0.875" 22mm)
 FA-24-MD-CST-PC/-BRS (2.65" 67mm)
 FA-24-MD-CST-POST2/-BRS (telescopic) (1.63" 41mm)
 C/FA-25/-26/BRS (20" 508mm)
 C/FA-26-75W/BRS (20" 508mm)
 C/FA-26-GFIC/BRS (26" 660mm)
 C/FA-39/BRS (20" 508mm)
 FA-24-MD-CST-POST/-BRS (13" 330mm)
 FA-24-LG-SPUN / -BRS (26" 660mm)
 FA-30 (4" 102mm)
 FA-30-4 (8" 203mm)
 FA-31 (10" 254mm)
 FA-32 (13" 330mm)
 FA-33 (16" 406mm)
 FA-34 (21" 533mm)

LIGHT DISTRIBUTIONS AND PHOTOMETRICS



JOB INFORMATION

Type: _____ Date: _____

Job Name: _____

Cat. No.: _____

Lamp(s): _____

Specifier: _____

Contractor: _____

Notes: _____

FOCUS INDUSTRIES INC.
25301 COMMERCENTRE DRIVE
LAKE FOREST, CA 92630

www.focusindustries.com
sales@focusindustries.com
(949) 830-1350 • FAX (949) 830-3390

Black Texture (Standard)	Antique Verde	Bronze Texture	Camel	White Texture	Hunter Texture	Rust	Weathered Iron	Weathered Brown	Stucco	Rubbed Verde	Chrome Powder	Acid Rust	Acid Verde	Black Acid Treatment
-BLT	-ATV	-BRT	-CAM	-WTX	-HTX	-RST	-WIR	-WBR	-STU	-RBV	-CPR	-BAR/CAR	-BAV/CAV	-BAT