



landscape • entertainment • architectural • hospitality • illumination

# SL-60 SERIES STEP LIGHT





# LED STEP LIGHTS SL-60-TF SERIES

GO GREEN

TYPE

## SPECIFICATIONS

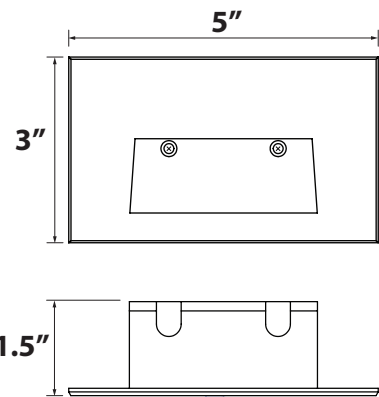
**CONSTRUCTION:** Cast Aluminum, Brass or Stainless Steel Step Light  
**LIGHT SOURCE:** Integrated LED with Driver On Board (DOB)  
**12v AC Input,** 1x 3w, 590 Nonometers (nm) cct 1600K/2000K  
**120v AC Input,** 1x 2w, 590 Nonometers (nm) cct 1600K/2000K, Dimmable  
**LIFETIME RATING:** 50,000 hours  
**GASKET:** Black neosponge closed foam; .190" thickness  
**SUPPLY WIRING 12V AC Input:** 18 AWG SPT1 x 6' OAL  
**SUPPLY WIRING 120V AC Input:** Code Compliant 6" Leads (Black, White Green)

**SINGLE GANG BOX:** Focus FA-SG-BOX fiberglass box included.  
 Fixture insert only without Back Box is available (SL60NB) if back box is supplied by others or is already installed;  
**NOTE: If box is supplied by others it must have minimum inside dimensions of 3"(l) x 2"(w) x 2.5"(d) and plate mounting holes 3.22" to 3.30" apart on center.**

**MOUNTING:** Stainless Steel bracket and hardware for mounting in single gang junction box; Face plate attaches to bracket with two provided screws  
**FINISH:** Aluminum - Black texture polyester powder coat; optional finishes available  
 Brass - Unfinished; optional finishes available  
 Stainless Steel-Brushed



SL-60-LED12TFVBLT



SL60NB insert

## ORDERING INFORMATION

CATALOG NO.	DESCRIPTION	LIGHT SOURCE	WEIGHT
SL60-LED12VTF-BLT	12v Aluminum LED Step Light	3w LED Module	2.0 lbs.
SL60-LED12VTF-BRS	12v Brass LED Step Light	3w LED Module	3.0 lbs.
SL60-LED12VTF-SS	12v Stainless LED Step Light	3w LED Module	2.0 lbs.
SL60-LED120TF-BLT	120v Aluminum LED Step Light	2w LED Module	2.0 lbs.
SL60-LED120TF-BRS	120v Brass LED Step Light	2w LED Module	3.0 lbs.
SL60-LED120TF-SS	120v Stainless LED Step Light	2w LED Module	2.0 lbs.

### NO BACK BOX MODELS:

SL60NB-LED12VTF-BLT	12v Aluminum LED Step Light Insert	3w LED Module	2.0 lbs.
SL60NB-LED12VTF-BRS	12v Brass LED Step Light Insert	3w LED Module	3.0 lbs.
SL60NB-LED12VTF-SS	12v Stainless LED Step Light Insert	3w LED Module	2.0 lbs.

SL60NB-LED120TF-BLT	120v Aluminum LED Step Light Insert	2w LED Module	2.0 lbs.
SL60NB-LED120TF-BRS	120v Brass LED Step Light Insert	2w LED Module	3.0 lbs.
SL60NB-LED120TF-SS	120v Stainless LED Step Light Insert	2w LED Module	2.0 lbs.

FASG-BOX Plastic Single Gang Box only 1.0 lbs.



FA-SG-BOX Single Gang Box



### JOB INFORMATION

Type:	Date:
Job Name:	
Cat. No.:	
Lamp(s):	
Specifier:	
Contractor:	
Notes:	

FOCUS INDUSTRIES INC.  
 25301 COMMERCENTRE DRIVE  
 LAKE FOREST, CA 92630  
 www.focusindustries.com  
 sales@focusindustries.com  
 (949) 830-1350 • FAX (949) 830-3390

Black Texture (Standard)	Antique Verde	Bronze Texture	Camel	White Texture	Hunter Texture	Rust	Weathered Iron	Weathered Brown	Stucco	Rubbed Verde	Chrome Powder	Acid Rust	Acid Verde	Black Acid Treatment
-BLT	-ATV	-BRT	-CAM	-WTX	-HTX	-RST	-WIR	-WBR	-STU	-RBV	-CPR	-BAR/CAR	-BAV/CAV	-BAT

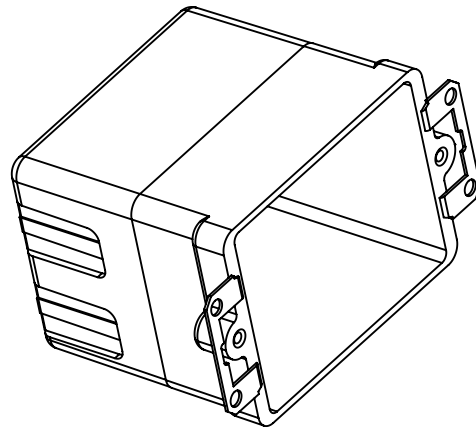
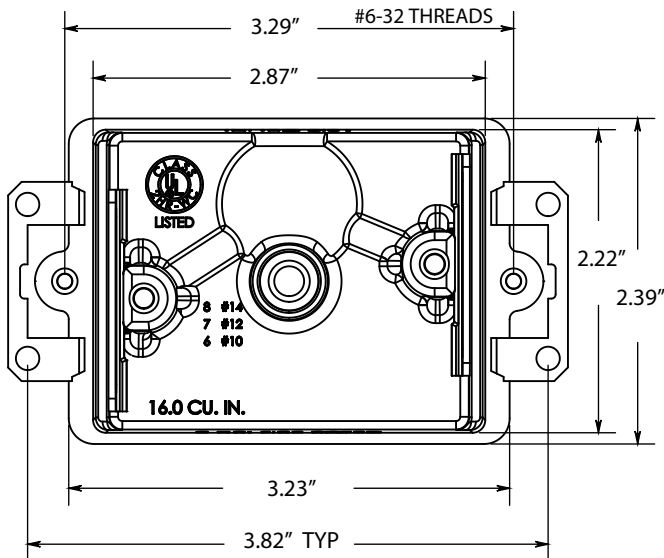
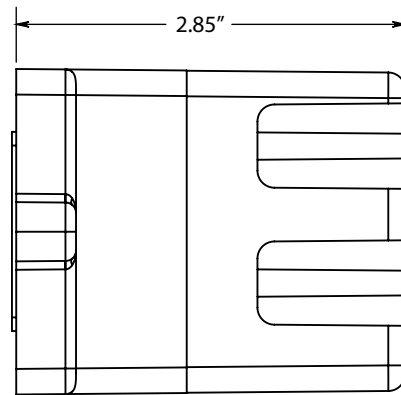
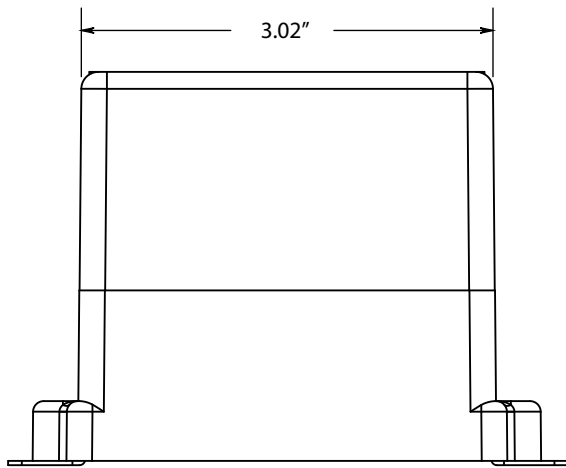
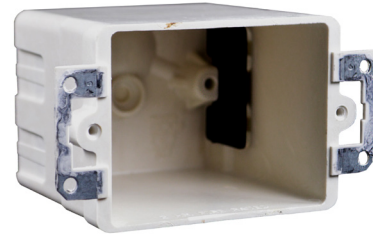


# LED STEP LIGHTS SL-60 SERIES

TYPE



**FA-SG-BOX**  
Single Gang Box



Black Texture (Standard)	Antique Verde	Bronze Texture	Camel	White Texture	Hunter Texture	Rust	Weathered Iron	Weathered Brown	Stucco	Rubbed Verde	Chrome Powder	Acid Rust	Acid Verde	Black Acid Treatment
-BLT	-ATV	-BRT	-CAM	-WTX	-HTX	-RST	-WIR	-WBR	-STU	-RBV	-CPR	-BAR/CAR	-BAV/CAV	-BAT

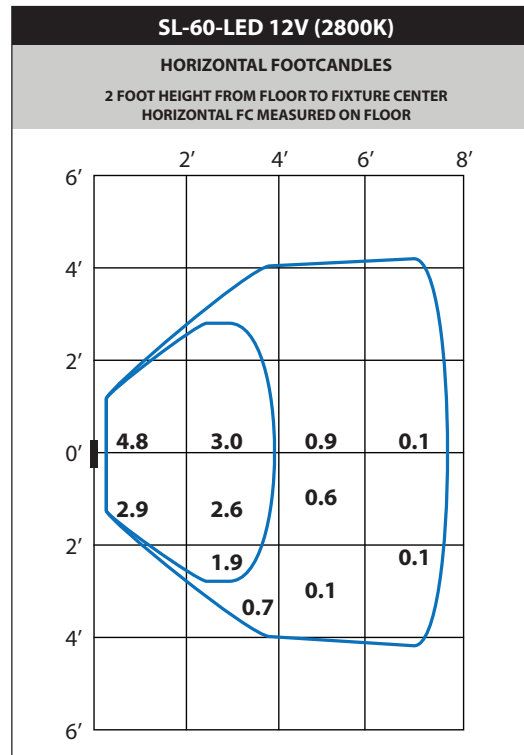
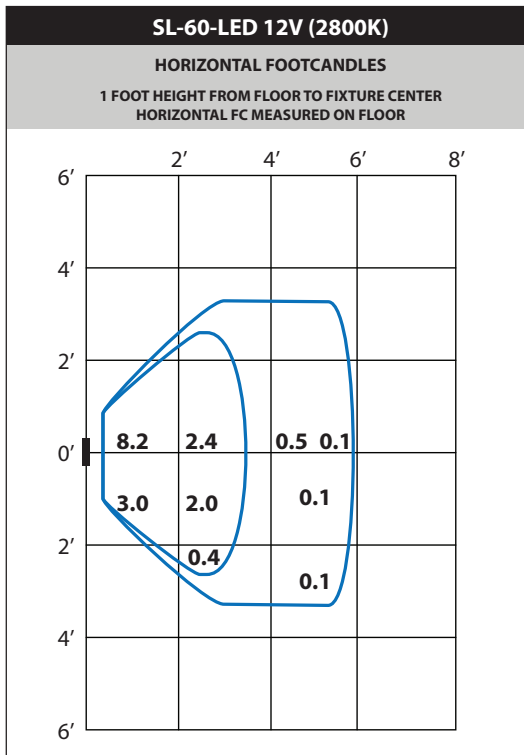
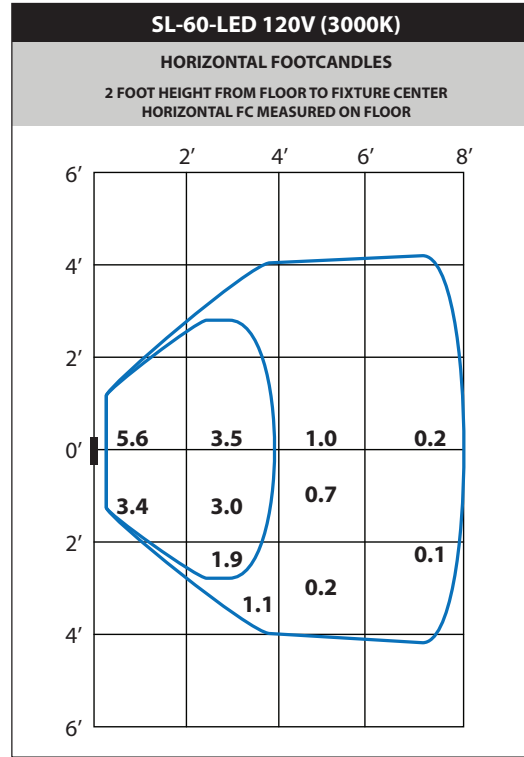
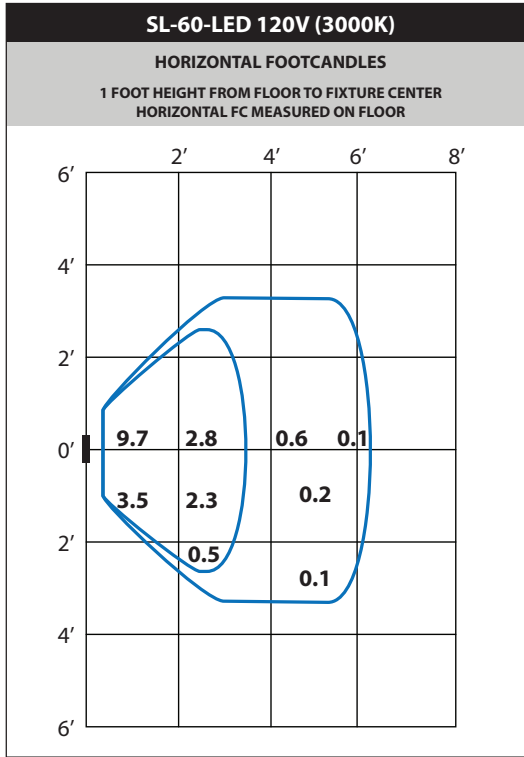


# LED STEP LIGHTS SL-60 SERIES

TYPE



## LIGHT DISTRIBUTIONS AND PHOTOMETRICS



Black Texture (Standard)	Antique Verde	Bronze Texture	Camel	White Texture	Hunter Texture	Rust	Weathered Iron	Weathered Brown	Stucco	Rubbed Verde	Chrome Powder	Acid Rust	Acid Verde	Black Acid Treatment
-BLT	-ATV	-BRT	-CAM	-WTX	-HTX	-RST	-WIR	-WBR	-STU	-RBV	-CPR	-BAR/CAR	-BAV/CAV	-BAT