



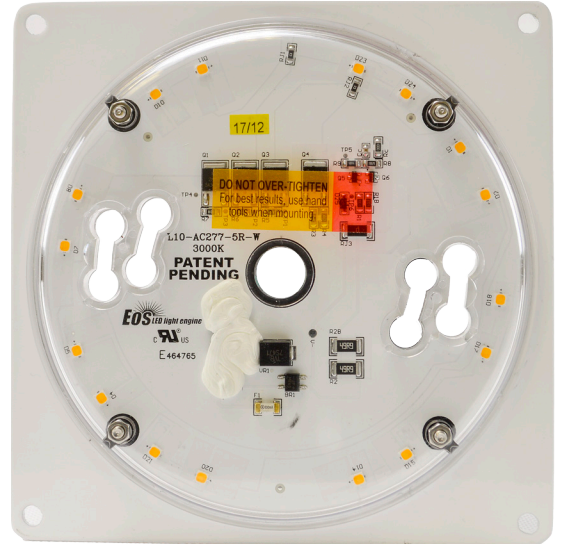
# RETROFIT LED MODULE RFL-M-1-12-R SERIES

TYPE



## GO GREEN

- Voltage: 277v models
- Total Watts: 12
- Lumens: 1020 lumens)
- Lumens Per Watt: 85
- High power factor >0.98
- THD 24% (Total Harmonic Distortion)
- CCT: 3000K
- CRI: 80
- Estimated Life: 50,000 hours (L70)
- Cool Beam, No UV or IR
- Dimmable down to 4% with most triac or electronic dimmers
- On board line surge protection
- 5 Year Limited Warranty
- Remote Phosphor LED technology
- Integrated LED Driver on board
- Polycarbonate protective optical lens
- Multiple mounting options with custom mounting plates for any size fixture



RFL-M1-12-R-30-277-55A

### LED Module Compliance & Certification

- Energy Star CSD (Certified Lighting Subcomponent Database)
- UL8750 Recognized Component
- RoHS Compliant - Energy Efficient - Environmentally Friendly
- LM79: No (LM79 does not apply to COB technology)
- FCC Compliance Class B



RoHS compliant

### ORDERING INFORMATION

CATALOG NO.	DESCRIPTION	SHIP WEIGHT
<b>277v Input</b>		
<b>RFL-M1-12-R-30-277</b>	12W RETROFIT LED MODULE, 1020 LUMEN, 3000K, 277V INPUT	1 lbs
<b>RFL-M1-12-R-30-277-55A*</b>	12W RETROFIT LED MODULE, 1020 LUMEN, 3000K, 120V INPUT, 5.5" X 5.5" MOUNTING PLATE	1 lbs
<b>RFL-M1-12-R-30-277-55AM</b>	12W RETROFIT LED MODULE, 1350 LUMEN, 3000K, 120V INPUT, 5.5" MAGNETIC MOUNTING PLATE	2 lbs

\*Consult factory for custom sized back plate part number

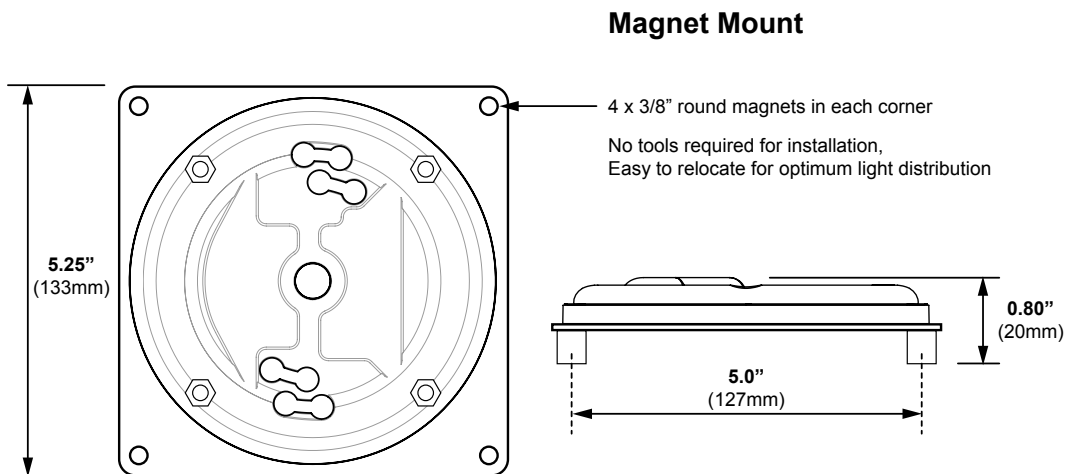
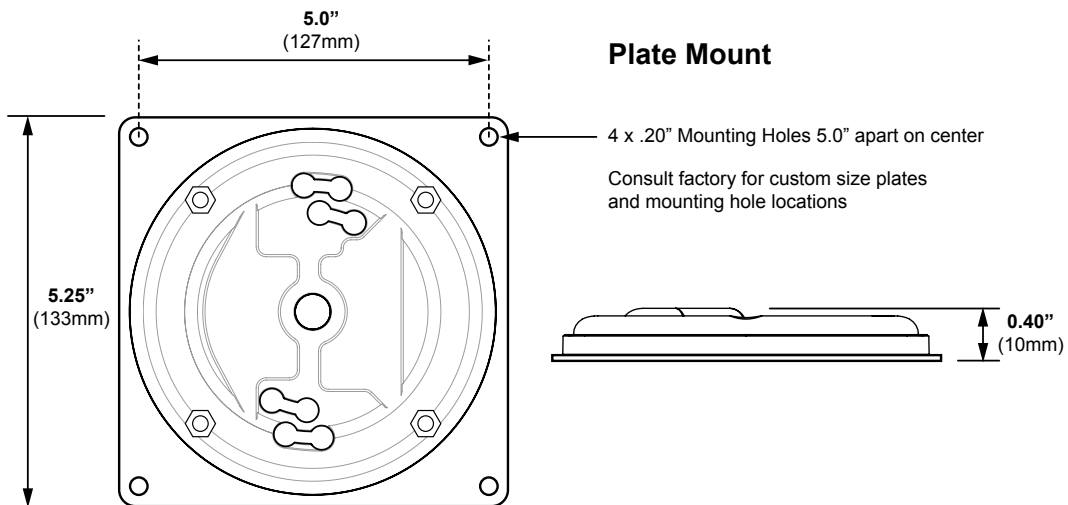
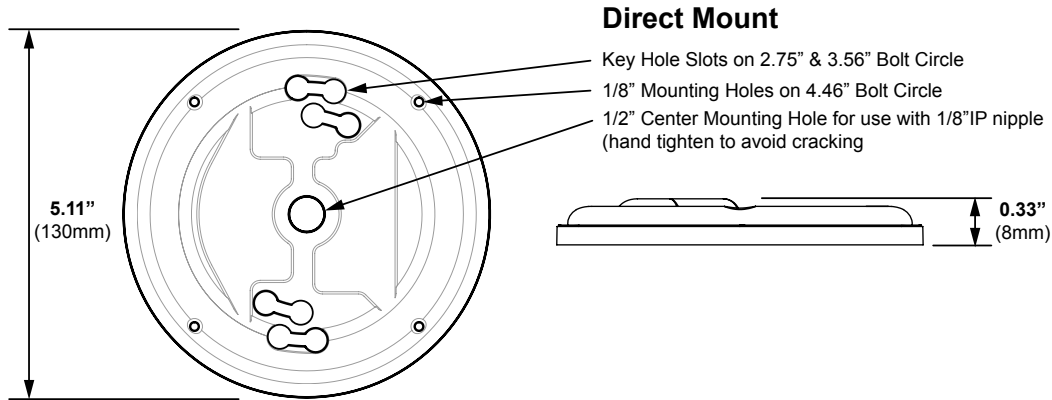


# RETROFIT LED MODULE RFL-M-1-14-R SERIES

TYPE



## MOUNTING OPTIONS





# RETROFIT EOS LED MODULES

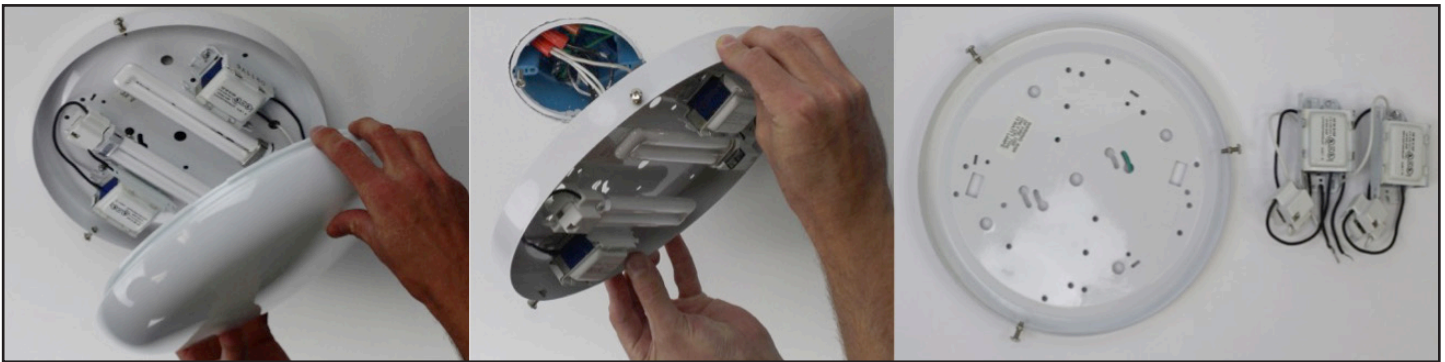
TYPE

## Retrofit Using Focus EOS Modules

- Increase Light Output
- Increase Energy Efficiency
- Lower Maintenance Costs
- Upgrade to 50,000 hr lamp life
- 5 year warranty



### Uninstall Fixture



Remove Fixture & Disconnect Wiring

Remove Obsolete Components (Lamps, Sockets & Ballast)

### Install Focus EOS Module

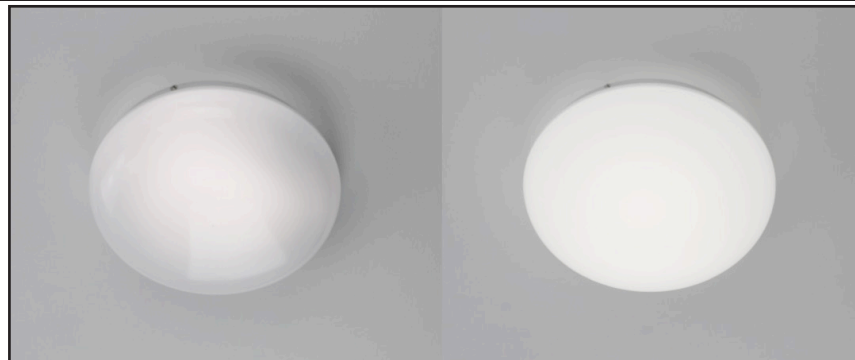


Install 1598C Retrofit

Reinstall Fixture

**NO UL TESTING!**

### Before & After



**Improved Performance & Cost Savings!**