

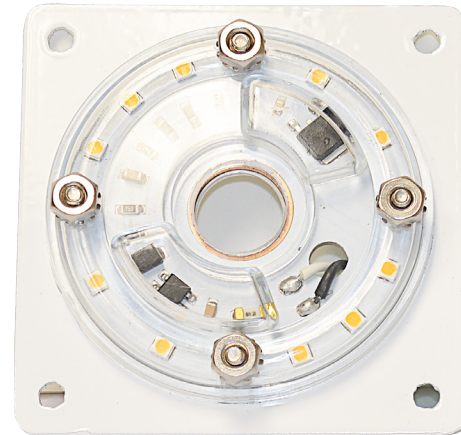


# RETROFIT LED MODULE RFL-M-1-06-R SERIES

TYPE



- Voltage: 120v or 277v models
- Total Watts: 6
- Lumens: 450 lumens (Equal to 13w CFL)
- Lumens Per Watt: 75
- High power factor >0.98
- THD 26% (Total Harmonic Distortion)
- CCT: 3000K (optional 4000K available @ 550 lumens)
- CRI: 80
- Estimated Life: 50,000 hours (L70)
- Cool Beam, No UV or IR
- Dimmable down to 5% with most triac or electronic dimmers
- On board line surge protection
- 5 Year Limited Warranty
- Remote Phosphor LED technology
- Integrated LED Driver on board
- Polycarbonate protective optical lens
- Multiple mounting options with custom mounting plates for any size fixture
- Magnetic mounting option - no tools required



RFL-M1-06-R-30-120-33A

### LED Module Compliance & Certification

- UL8750 Recognized Component
- RoHS Compliant - Energy Efficient - Environmentally Friendly
- LM79: No (LM79 does not apply to COB technology)
- FCC Compliance Class B



RoHS compliant

### ORDERING INFORMATION

CATALOG NO.	DESCRIPTION	SHIP WEIGHT
<b>120v Input</b>		
RFL-M1-06-R-30-120	6W RETROFIT LED MODULE, 450 LUMEN, 3000K, 120V INPUT	1 lbs
RFL-M1-06-R-40-120	6W RETROFIT LED MODULE, 500 LUMEN, 4000K, 120V INPUT	1 lbs
RFL-M1-06-R-30-120-33A*	6W RETROFIT LED MODULE, 450 LUMEN, 3000K, 120V INPUT, 3" X 3" MOUNTING PLATE	1 lbs
RFL-M1-06-R-40-120-33A*	6W RETROFIT LED MODULE, 500 LUMEN, 4000K, 120V INPUT, 3" X 3" MOUNTING PLATE	1 lbs
* Consult Factory for custom sized back plate part number		
RFL-M1-06-R-30-120-33AM	6W RETROFIT LED MODULE, 450 LUMEN, 3000K, 120V INPUT, 3" X 3" MAGNETIC MOUNTING PLATE	2 lbs
RFL-M1-06-R-40-120-33AM	6W RETROFIT LED MODULE, 500 LUMEN, 4000K, 120V INPUT, 3" X 3" MAGNETIC MOUNTING PLATE	2 lbs
<b>277v Input</b>		
RFL-M1-06-R-30-277	6W RETROFIT LED MODULE, 450 LUMEN, 3000K, 277V INPUT	1 lbs
RFL-M1-06-R-40-277	6W RETROFIT LED MODULE, 500 LUMEN, 4000K, 277V INPUT	1 lbs
RFL-M1-06-R-30-277-33A*	6W RETROFIT LED MODULE, 450 LUMEN, 3000K, 277V INPUT, 3" X 3" MOUNTING PLATE	1 lbs
RFL-M1-06-R-40-277-33A*	6W RETROFIT LED MODULE, 500 LUMEN, 4000K, 277V INPUT, 3" X 3" MOUNTING PLATE	1 lbs
* Consult Factory for custom sized back plate part number		
RFL-M1-06-R-30-277-33AM	6W RETROFIT LED MODULE, 450 LUMEN, 3000K, 277V INPUT, 3" X 3" MAGNETIC MOUNTING PLATE	2 lbs
RFL-M1-06-R-40-277-33AM	6W RETROFIT LED MODULE, 500 LUMEN, 4000K, 277V INPUT, 3" X 3" MAGNETIC MOUNTING PLATE	2 lbs

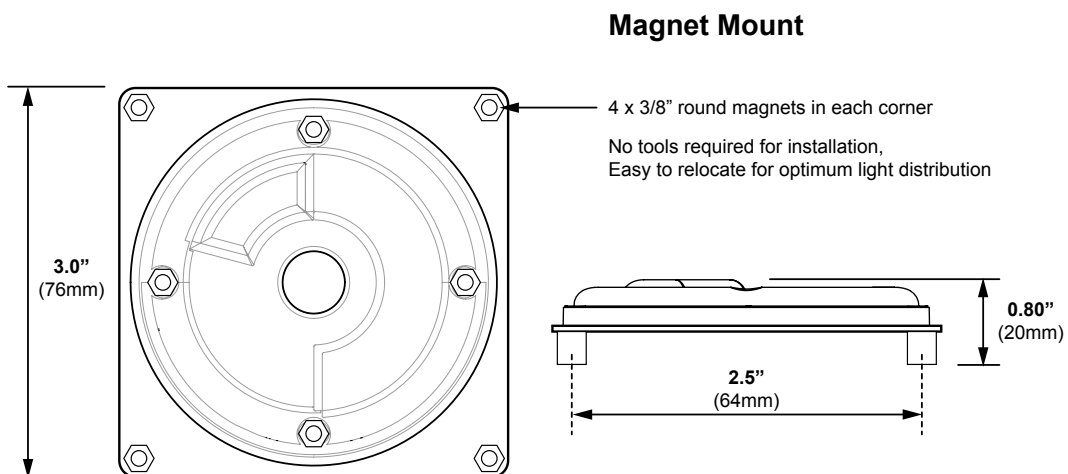
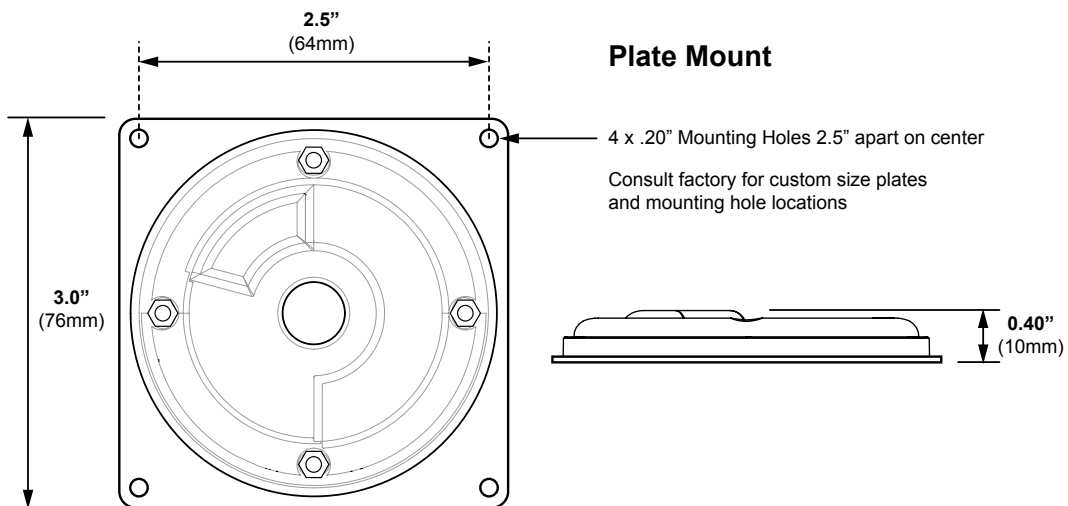
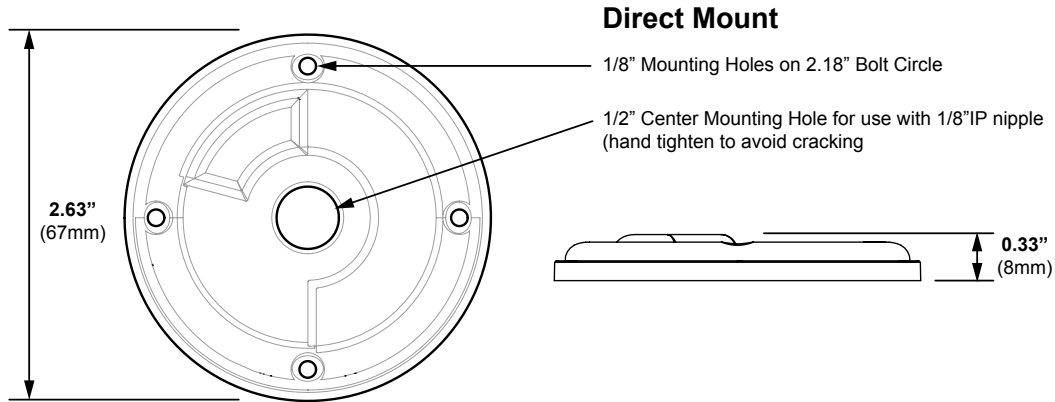


# RETROFIT LED MODULE RFL-M-1-06-R SERIES

TYPE



## MOUNTING OPTIONS





# RETROFIT EOS LED MODULES

TYPE

## Retrofit Using Focus EOS Modules

- Increase Light Output
- Increase Energy Efficiency
- Lower Maintenance Costs
- Upgrade to 50,000 hr lamp life
- 5 year warranty



### Uninstall Fixture



Remove Fixture & Disconnect Wiring

Remove Obsolete Components (Lamps, Sockets & Ballast)

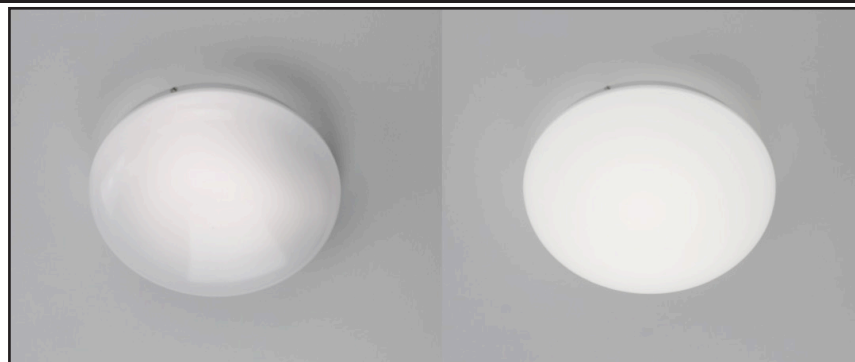
### Install Focus EOS Module



Install 1598C Retrofit

Reinstall Fixture **NO UL TESTING!**

### Before & After



Improved Performance & Cost Savings!