

TREE RING MOUNTING INSTRUCTIONS

FA-TR-20- 20 inch tree ring made by FOCUS INDUSTRIES. The tree ring is a light fixture that is designed to attach to a tree by encircling the trunk. It may accommodate up to six directional lights that can be pointed in varying degrees of rotation. Tree rings are design for landscape lighting, residential and commercial applications.

MOUNTING SUPPLIED: 4x 3/8-16 x 3.5" SS Hex Bolts, 4X 1"OD X 3.5" threaded black spacers (to secure to tree trunk), 2x 3/8-16 x 1.5" SS Hex Bolts (closes ring) 4x or 6x 1/2" NPT fittings (secures up to four or six fixtures to tree ring)

MOUNTING:

-For mounting tree ring remove 3/8-16 X 1.5 bolts to open tree ring

-Thread desired fixtures to hubs and secure hubs to tree ring with a 1/4-20 bolt.

-12V TREE RING: use a CFA-111 junction box to make 12v wire connections inside from each fixture and 120v LED Driver/Transformer connections if input power to tree ring is 120v.

All hubs are horizontally adjustable for precise placement of fixtures around tree ring.

-120V TREE RING: All hubs are aluminum or brass 120v FA-111 junction boxes with 1/2"NPS female for fixture mounting.

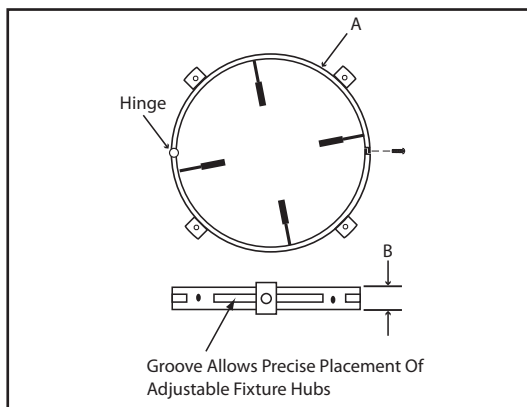
All hubs are horizontally adjustable for precise placement of fixtures around the tree ring. Close tree ring around tree put back bolt to secure ring adjusted black spacers for proper fitting.

Note: All light fixtures, LED drivers and transformers sold separately

Tools required: #8 (5/16) and #4 (5/32) Allen hex key wrench

OPTIONS: Ring Size available: 20" or 24" standard, for 30" and 36" consult factory

- Light Fixtures: 4 or 6
- Finish Aluminum - Black texture polyester powder coat. Optional finishes available
- Brass - Unfinished brass standard. Optional finishes available
- Voltage: 12v or 120v
- 20" Model fits trunk diameter of 6"-11" and accommodates up to 4 fixtures
- 24" Model fits trunk diameter of 10"-15" and accommodates up to 6 fixtures
- Custom 30" Model fits trunk diameter of 18"-22". Consult factory for set up
- Custom 36" Model fits trunk diameter of 24"-29". Consult factory for set up



	A	B
FA-TR-20	20" Dia.	2"
FA-TR-24	24" Dia.	2"

