



landscape • entertainment • architectural • hospitality • illumination

# SL-16 PAR30 SERIES UP/DOWN LIGHTS



25301 COMMERCENTRE DRIVE • LAKE FOREST, CA 92630 • 949.830.1350 • 888.882.1350 • FAX 949.830.3390

SL-16-PAR 30 SERIES 062816



# WALL MOUNT SL16-PAR30 / SL16D-PAR30



TYPE

## SPECIFICATIONS

**CONSTRUCTION:** Extruded aluminum or brass cylinder; matching die cast canopy

**LENS:** High impact clear tempered flat glass (Only on top of up/down SL16-PAR30)

**O-RING:** None

**LAMP SUPPLIED:** None (50w max); Use only outdoor rated PAR30 lamps

**LED OPTION:** 15w 600 lumen Arrow PAR30 LED, 50,000 hour rated life

**SOCKET:** High temperature ceramic medium base with 250° C silicone lead wires

**WIRING:** Standard 120 volt Black, White and Ground 9" lead wires

**MOUNTING:** FA-24-LGCST canopy 4.75" OD x 1.125" with universal 4-O box mounting hardware supplied

**FINISH:** Aluminum - Black texture polyester powder coat, optional finishes available  
Brass - Unfinished, optional finishes available



SL16-PAR30-LED40-WTX



SL16D-PAR30-LED40-BLT

## ORDERING INFORMATION

CATALOG NO.	DESCRIPTION	LAMP	SHIP WEIGHT
SL16-PAR30-NL-BLT	ALUMINUM WALL MOUNT UP/DOWN LIGHT	NO LAMP 2 X PAR30,	4.0lbs
SL16-PAR30-LED15-BLT	ALUMINUM WALL MOUNT UP/DOWN LIGHT	2 X 15W PAR30 LED 15°	4.0lbs
SL16-PAR30-LED40-BLT	ALUMINUM WALL MOUNT UP/DOWN LIGHT	2 X 15W PAR30 LED 40°	4.0lbs
SL16-PAR30-NL-BRS	BRASS WALL MOUNT UP/DOWN LIGHT	NO LAMP 2 X PAR30,	5.0lbs
SL16-PAR30-LED15-BRS	BRASS WALL MOUNT UP/DOWN LIGHT	2 X 15W PAR30 LED 15°	5.0lbs
SL16-PAR30-LED40-BRS	BRASS WALL MOUNT UP/DOWN LIGHT	2 X 15W PAR30 LED 40°	5.0lbs
SL16D-PAR30-NL-BLT	ALUMINUM WALL MOUNT DOWN LIGHT	NO LAMP PAR30	4.0lbs
SL16D-PAR30-LED15-BLT	ALUMINUM WALL MOUNT DOWN LIGHT	15W PAR30 LED 15°	4.0lbs
SL16D-PAR30-LED40-BLT	ALUMINUM WALL MOUNT DOWN LIGHT	15W PAR30 LED 40°	4.0lbs
SL16D-PAR30-NL-BRS	BRASS WALL MOUNT DOWN LIGHT	NO LAMP PAR30	5.0lbs
SL16D-PAR30-LED15-BRS	BRASS WALL MOUNT DOWN LIGHT	15W PAR30 LED 15°	5.0lbs
SL16D-PAR30-LED40-BRS	BRASS WALL MOUNT DOWN LIGHT	15W PAR30 LED 15°	5.0lbs



SL16-PAR30-LED40-BRS

SL16D-PAR30-LED40-BRS



JOB INFORMATION	
Type:	Date:
Job Name:	
Cat.No.:	
Lamp(s):	
Specifier:	
Contractor:	
Notes:	
FOCUS INDUSTRIES INC. <sup>®</sup> 25301 COMMERCENTRE DRIVE LAKE FOREST, CA 92630	
www.focusindustries.com sales@focusindustries.com (949) 830-1350 • FAX (949) 830-3390	

Black Texture (Standard)	Antique Verde	Bronze Texture	Camel	White Texture	Hunter Texture	Rust	Weathered Iron	Weathered Brown	Stucco	Rubbed Verde	Chrome Powder	Terra Cotta	Acid Rust	Acid Verde	Black Acid Treatment
-BLT	-ATV	-BRT	-CAM	-WTX	-HTX	-RST	-WIR	-WBR	-STU	-RBV	-CPR	-TRC	-BAR/CAR	-BAV/CAV	-BAT

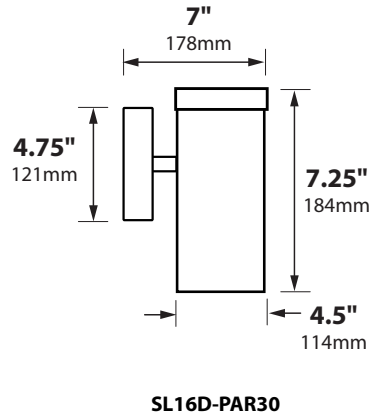
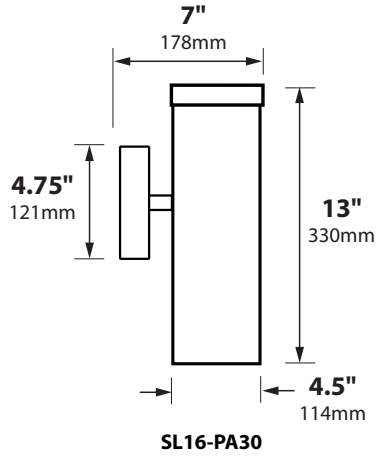


# PAR30 WALL LIGHTS

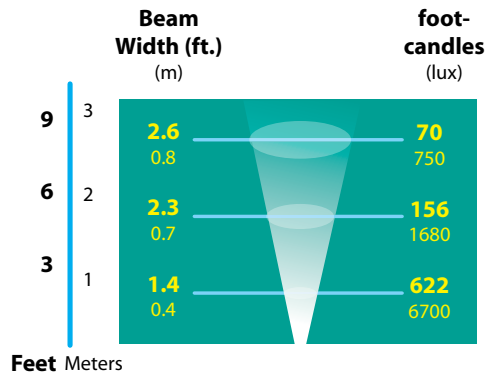
## SL-16/-D-PAR30 Series



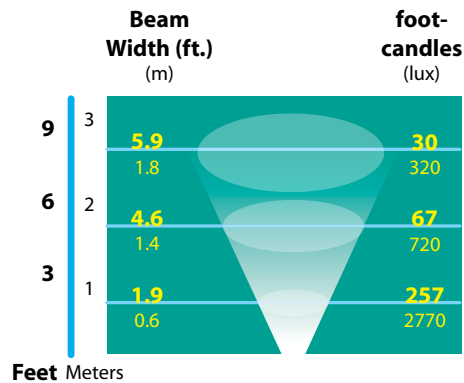
**TYPE**



### LIGHT DISTRIBUTIONS AND PHOTOMETRICS



**FL-LED-P3015**



**FL-LED-P3040**