



WALL MOUNT UP/DOWN SL16-D-MR16-S



TYPE



SPECIFICATIONS

CONSTRUCTION: 316 stainless steel or brass cylinder and canopy

LENS: Translucent acrylic snoot with 3 available finishes;

S1 - Clear

S2 - 100% Frosted

S3 - Frosted sides with clear top and bottom

CANOPY GASKET: Black newsponge closed cell .190" thickness

LAMP SUPPLIED: None, uses MR16 lamps

LAMP OPTIONS: We recommend 50,000 hour ARROW 4w LED (-LED) or 40,000 hour 5w (-LED5) or 7w (-LED7) ARROW Super Saver LED

SOCKET: High temperature ceramic GU5.3 bi-pin with 250°C silicone lead wires

WIRING: Black and 2 White 250°C silicone lead wires

CONNECTION: FA-05 Quick Connector (not supplied) from fixture to main cable (12/2, 10/2 or 8/2 only)

MOUNTING: Canopy included with 2 stainless steel or brass #2 Phillips, flat head, wood screws. Optional FA-24-LG canopy to cover 40 box with mounting hardware

FINISH: Stainless Steel-Machined stainless steel only
Brass-Unfinished brass. Optional finishes available

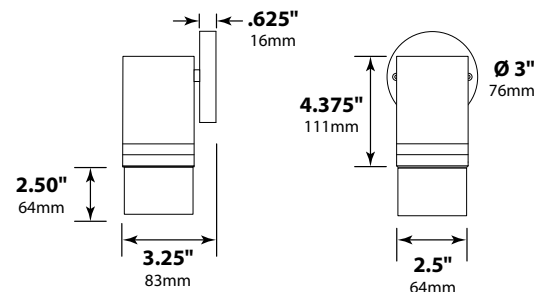


UP/DOWN LIGHT MODEL AVAILABLE SEE SL16-MR16-S

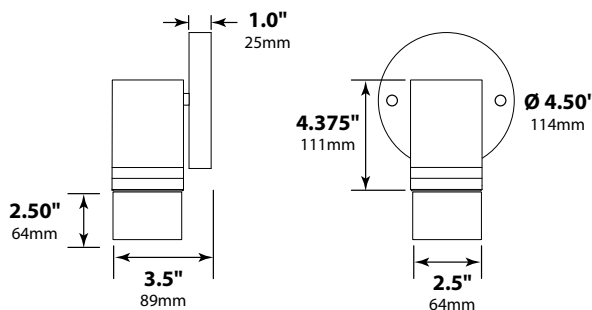
ORDERING INFORMATION

| CATALOG NO. | DESCRIPTION |
|------------------------|--|
| SL16-D-MR16-S1-NL-SS | NO LAMP, STAINLESS DOWN, CLEAR SNOOT |
| SL16-D-MR16-S1-LED-SS | 4W LED, STAINLESS DOWN, CLEAR SNOOT |
| SL16-D-MR16-S1-NL-BRS | NO LAMP, BRASS DOWN, CLEAR SNOOT |
| SL16-D-MR16-S1-LED-BRS | 4W LED, BRASS DOWN, CLEAR SNOOT |
| SL16-D-MR16-S2-NL-SS | NO LAMP, STAINLESS DOWN, FROSTED SNOOT |
| SL16-D-MR16-S2-LED-SS | 4W LED, STAINLESS DOWN, FROSTED SNOOT |
| SL16-D-MR16-S2-NL-BRS | NO LAMP, BRASS DOWN, FROSTED SNOOT |
| SL16-D-MR16-S2-LED-BRS | 4W LED, BRASS DOWN, FROSTED SNOOT |
| SL16-D-MR16-S3-NL-SS | NO LAMP, STAINLESS DOWN, FROST/CLEAR SNOOT |
| SL16-D-MR16-S3-LED-SS | 4W LED, STAINLESS DOWN, FROST/CLEAR SNOOT |
| SL16-D-MR16-S3-NL-BRS | NO LAMP, BRASS DOWN, FROST/CLEAR SNOOT |
| SL16-D-MR16-S3-LED-BRS | 4W LED, BRASS DOWN, FROST/CLEAR SNOOT |

Note: Standard snoot length in 2.5"; extended snoots in 6" and 12" lengths available, add 6 or 12 to part number Example: SL-16D-MR16-S1-12-BRS = 12" snoot



SL16-D-MR16-S1



SL16-D-MR16-S1-24LG

| JOB INFORMATION | |
|---|-------|
| Type: | Date: |
| Job Name: | |
| Cat. No.: | |
| Lamp(s): | |
| Specifier: | |
| Contractor: | |
| Notes: | |
| FOCUS INDUSTRIES INC. www.focusindustries.com 25301 COMMERCENTRE DRIVE sales@focusindustries.com LAKE FOREST, CA 92630 (949) 830-1350 • FAX (949) 830-3390 | |

| Black Texture (Standard) | Antique Verde | Bronze Texture | Camel | White Texture | Hunter Texture | Rust | Weathered Iron | Weathered Brown | Stucco | Rubbed Verde | Chrome Powder | Acid Rust | Acid Verde | Black Acid Treatment |
|--------------------------|---------------|----------------|-------|---------------|----------------|------|----------------|-----------------|--------|--------------|---------------|-----------|------------|----------------------|
| -BLT | -ATV | -BRT | -CAM | -WTX | -HTX | -RST | -WIR | -WBR | -STU | -RBV | -CPR | -BAR/CAR | -BAV/CAV | -BAT |



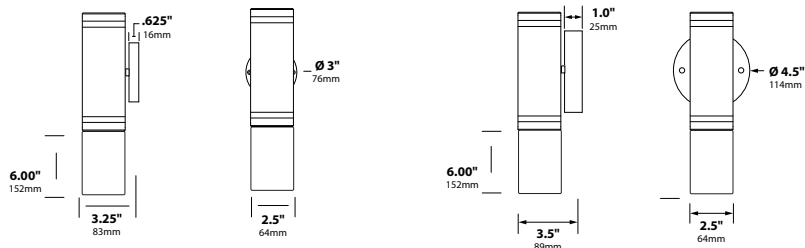
Extended Snoots Available In 6" & 12" Lengths



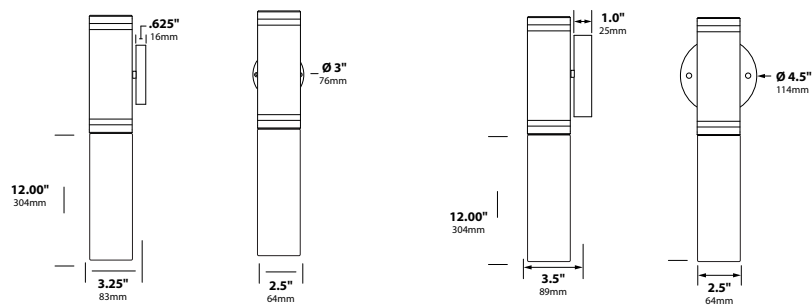
SL-16D-MR16-S1-6-BRS
(6" snoot)



SL-16D-MR16-S1-12-BRS
(12" snoot)



SL-16D-MR16-S1-6-BRS
(6" snoot)



SL-16D-MR16-S1-12-BRS
(12" snoot)