

INSTALLATION FOR FLUORESCENT FLOOD LIGHTS:

NOTE: To prevent electrical shock, turn off power before installation or service.

- Using thread sealant, thread fixture onto junction box or other mounting device (not supplied) until it is at desired direction. Tighten provided lock nut to ensure that the fixture is firmly locked to adjusted position.
- Attach fixture leads to line in leads observing polarity (black to black, white to white and green to ground) using approved silicone-filled safety wire connectors.
- Attach junction box cover plate to junction box (not supplied). Make sure gasket seats flush and that wires are not pinched between cover and junction box.
- Coat exposed fixture threads with thread sealant to prevent moisture from entering junction box or other mounting device.
- To adjust fixture aiming angle, loosen swivel screw. **Do not remove completely.** Hold fixture at selected angle and tighten swivel screw firmly with #2 Phillips screw driver.

6. Turn on power to the fixture and check for proper operation.
NOTE: Avoid aiming light fixture directly upward. Set at an angle to prevent rain or irrigation water from settling on lens.

LAMP INSTALLATION/REPLACEMENT

For FFL-5, 7, 9, 13 & 26 extruded aluminum fixtures:

- Turn off power to fixture before servicing.
- Using a #2 Phillips screwdriver, remove the top (2) two screws on the left end plate and loosen the third screw but do not remove. Rotate the end plate down and slide lens out of fixture.
- Pull Compact Fluorescent lamp from socket.
- Replace lamp with correct type and wattage marked on fixture label.
- Re-insert lens into fixture
- Rotate end plate back into position, replace screws and tighten firmly.

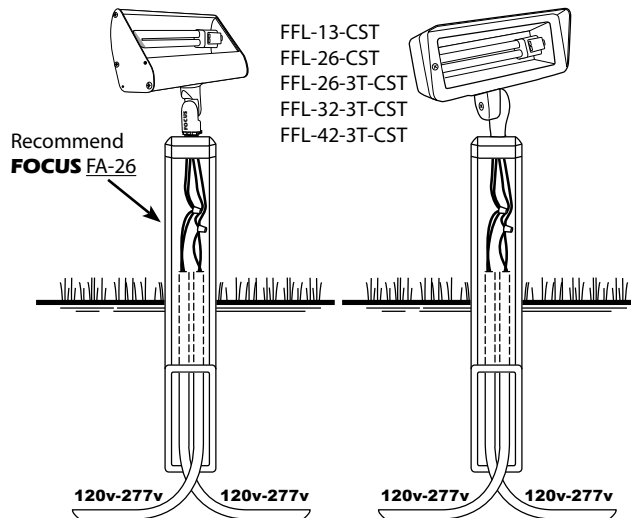
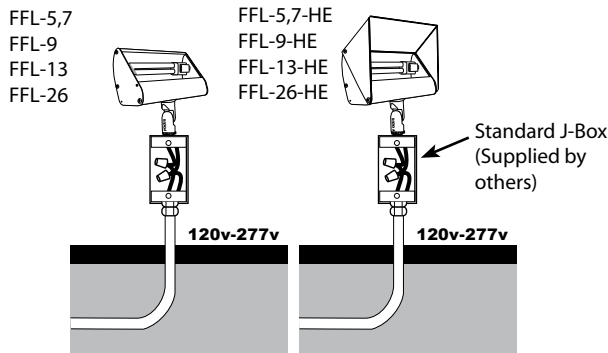
For FFL-13-CST, FFL-26-CST, FFL-26-3T-CST, FFL-32-3T-CST & FFL-42-3T-CST:

- Turn off power to fixture before servicing.
- Remove 2 screws from lens cap with Phillips #2 screwdriver.
- Carefully remove lens cap and gasket.
- Pull Compact Fluorescent lamp from socket.
- Replace lamp with correct type and wattage marked on fixture label.
- Insert gasket into lens cap and assemble lens cap/gasket on body.
- Make sure gasket is seated properly to ensure weatherproof seal and firmly tighten screws.

CAUTION: Do not exceed maximum wattage marked on fixture label.

IMPORTANT SAFETY INSTRUCTIONS TO REDUCE THE RISK OF FIRE AND INJURY TO PERSONS:

- Lamp gets hot quickly; turn off, unplug/disconnect and allow to cool down before replacing the light bulb.
- DO NOT** touch hot lens, use guard or enclosure.
- DO NOT** look into lamp when on.
- Keep lamp away from materials that may burn.
- Use only with wattage/lamp marked on fixture warning and instructions.
- Use the correct light bulb base with the correct socket.
- DO NOT** touch lamp at anytime. Use a lint-free cloth when handling the Halogen light bulbs as oil from skin may damage lamp and shorten lamp life.
- DO NOT** operate fixture with missing or damaged shield or lens.



**NOTE: Must be installed by a licensed electrician per local codes.
For Questions Call 1-888-882-1350**