



landscape • entertainment • architectural • hospitality • illumination

RXA-01-BRS SERIES AREA LIGHTS



25301 COMMERCENTRE DRIVE • LAKE FOREST, CA 92630 • 949.830.1350 • 888.882.1350 • FAX 949.830.3390



AREA LIGHTS RXA-01-BRS SERIES



TYPE

SPECIFICATIONS

CONSTRUCTION: Spun brass China Hat with matching extruded 18" stem and adjustable hub

S.C. LAMP SUPPLIED: 20w T4/S.C. Halogen 10,000 hours average rating (20w max)

S.C. LAMP OPTIONS: 3w 50,000 hours average rating OMNI-3 LED (-LED3)

20w S.C. 10,000 hours average rating Xenon (-X)

S.C. SOCKET: Single contact bayonet, brass nickel plated lamp socket screw shell (Ba15s)

BI-PIN LAMP SUPPLIED: 20w Halogen bi-pin 10,000 hours average rating (20w max)

BI-PIN LAMP OPTIONS: 3w 50,000 hours average rating OMNI-3 LED bi-pin (-LED3BP)

20w bi-pin 10,000 hours average rating Xenon (-XBP)

BI-PIN SOCKET: High temperature ceramic GU5.3 bi-pin with 250°C silicone lead wires

WIRING: Black 3 foot 18/2 zip cord from base of fixture

For 25 foot 16/2 fixture lead wire add -25F to catalog number

CONNECTION: FA-05 Quick Connector (not supplied) from fixture to main cable (12/2, 10/2 or 8/2 only)

MOUNTING: FA-03 black 9" ABS stake, tapped 1/2" NPS

FINISH: Unfinished Brass

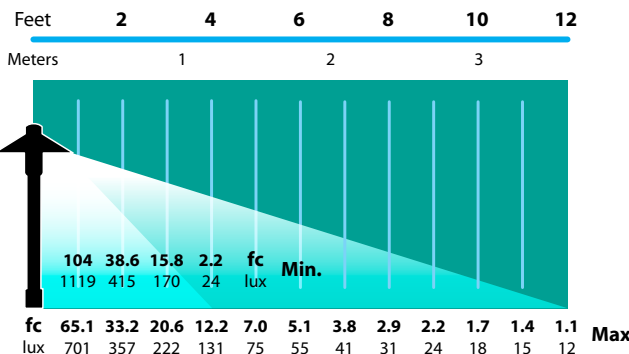
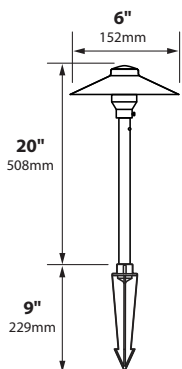
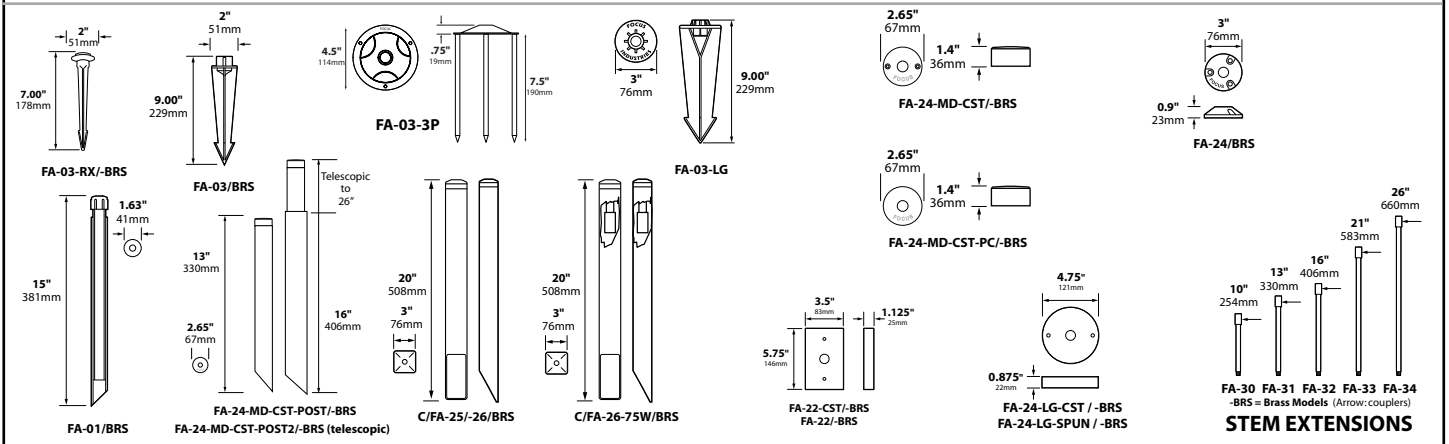
Optional finishes available (-BAT Black Acid) (-BAR Brass Acid Rust) (-BAV Brass Acid Verde)



ORDERING INFORMATION

CATALOG NO.	DESCRIPTION	LAMP	SHIP WEIGHT
RXA-01-BRS	Brass 6" China Hat, Adjustable Hub, 18" Stem	20w Halogen S.C.	3.0 lbs.
RXA-01-BP-BRS	Brass 6" China Hat, Adjustable Hub, 18" Stem	20w Halogen Bi-Pin	3.0 lbs.

MOUNTING ACCESSORIES



JOB INFORMATION

Type: _____ Date: _____

Job Name: _____

Cat. No.: _____

Lamp(s): _____

Specifier: _____

Contractor: _____

Notes: _____

FOCUS INDUSTRIES INC.
25301 COMMERCENTRE DRIVE
LAKE FOREST, CA 92630

www.focusindustries.com
sales@focusindustries.com
(949) 830-1350 • FAX (949) 830-3390

Black Texture (Standard)	Antique Verde	Bronze Texture	Camel	White Texture	Hunter Texture	Rust	Weathered Iron	Weathered Brown	Stucco	Rubbed Verde	Chrome Powder	Acid Rust	Acid Verde	Black Acid Treatment
-BLT	-ATV	-BRT	-CAM	-WTX	-HTX	-RST	-WIR	-WBR	-STU	-RBV	-CPR	-BAR/CAR	-BAV/CAV	-BAT