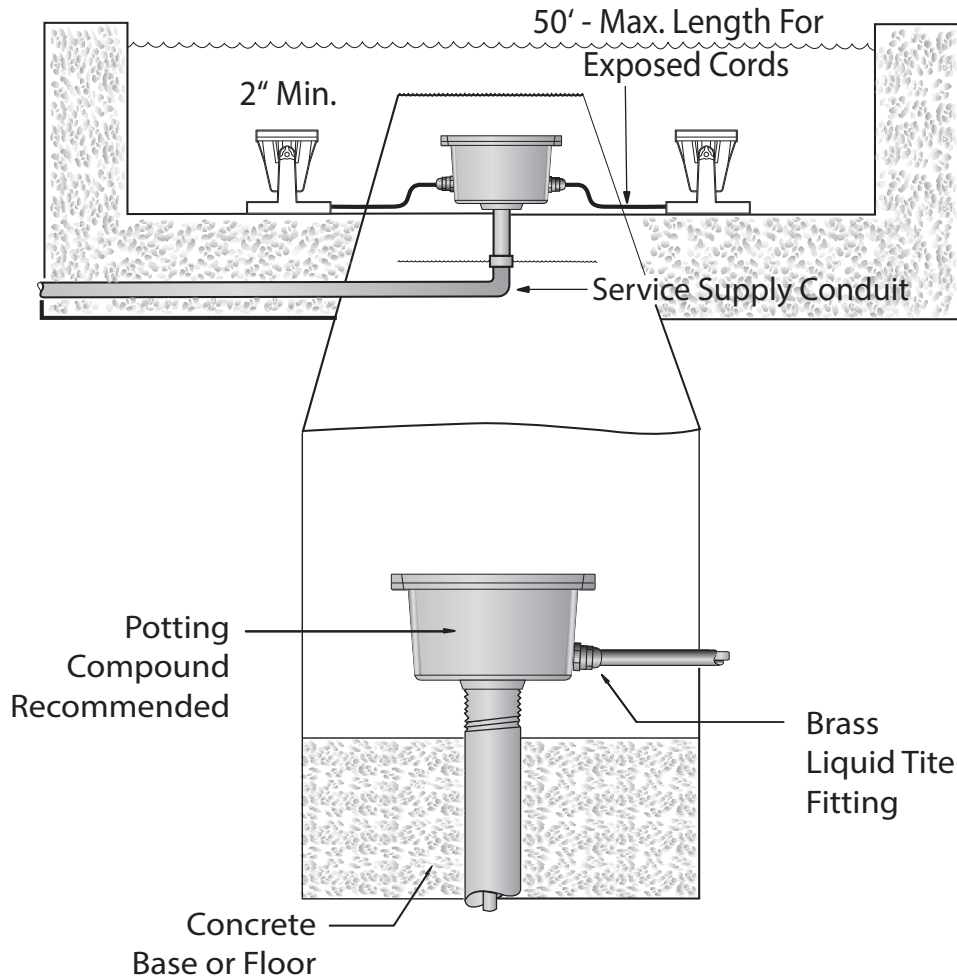


**Typical installation for under water J-Boxes for base mounted fixtures**

Installation should be performed by a qualified electrician in accordance with the National Electrical Code and relevant local codes



**Niche Mount/Fountains Only**

