



BARBECUE LIGHTS: THREADED CYLINDER BQ-WB03 WEIGHTED BASE SERIES

TYPE

SPECIFICATIONS

- CONSTRUCTION:** 316 stainless steel housing
- ARM:** 12" tall 316 stainless steel rigid stem with a 16" stainless steel flex arm on top and clear weatherproof polyolefin cover over flex arm
- MOUNT:** 7" Diameter, 6 pound weight with stainless steel cover and non-skid rubber padding
- FINISH:** Stainless Steel – Brushed
- LENS:** High impact clear tempered flat glass
- O-RING:** High temperature red silicone, 70 durometer
- SWITCH:** On/Off push button with weatherproof rubber boot cover

120v ELECTRICAL SPECIFICATIONS:

- LED SUPPLIED:** 7w ARROW PAR16 (L-134)
- 40,000 hours average rating
- SOCKET:** High temperature ceramic Base (E26/27) medium base, 250°C silicone insulated lead wires
- WIRING:** Standard Three Wire 16" lead wires from base of fixture

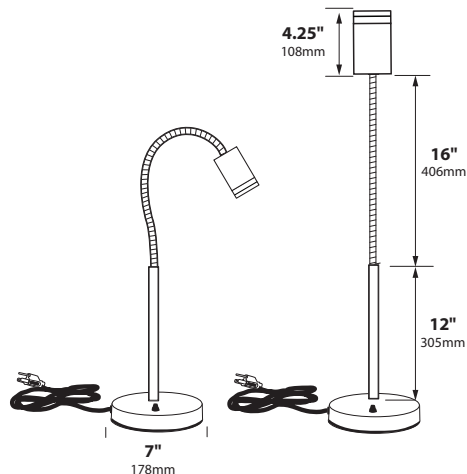


ORDERING INFORMATION

CATALOG NO.	DESCRIPTION	LAMP	SHIP WEIGHT
120v BQWB03L134SS	Weighted Base BBQ Light	7w PAR16LED SS	10.0 lbs.

ACCESSORIES

- FA-BQCOVER** Vinyl Protective Cover For Flex-Arm
BQ Lights w/ Drawstring Closure



JOB INFORMATION	
Type:	Date:
Job Name:	
Cat. No.:	
Lamp(s):	
Specifier:	
Contractor:	
Notes:	
FOCUS INDUSTRIES INC. 25301 COMMERCENTRE DRIVE LAKE FOREST, CA 92630	
www.focusindustries.com sales@focusindustries.com (949) 830-1350 • FAX (949) 830-3390	