



BARBECUE LIGHTS: ANGLED BULLET BQ-FD02 DECK MOUNT SERIES

TYPE

SPECIFICATIONS

- CONSTRUCTION:** 316 stainless steel housing
- ARM:** 12" tall 316 stainless steel rigid stem with a 16" stainless steel flex arm on top and clear weatherproof polyolefin cover over flex arm
- MOUNT:** Stainless steel deck mount canopy
- FINISH:** Stainless Steel – Brushed
- LENS:** High impact clear tempered flat glass
- O-RING:** High temperature red silicone, 70 durometer
- SWITCH:** On/Off push button with weatherproof rubber boot cover

12v ELECTRICAL SPECIFICATIONS:

- LED SUPPLIED:** 7w MR16 GU5.3 Super Saver (L-48)
40,000 hours average rating
- SOCKET:** High temperature ceramic GU5.3 bi-pin,
250°C silicone insulated lead wires
- WIRING:** Black 10 foot 18/2 zip cord from base of fixture (12v only)
For 25 foot 16/2 wire add-25F to catalog number

120v ELECTRICAL SPECIFICATIONS:

- LED SUPPLIED:** 7w ARROW PAR16 (L-134)
40,000 hours average rating
- SOCKET:** High temperature ceramic Base (E26/27) medium base,
250°C silicone insulated lead wires
- WIRING:** Standard Three Wire 16" lead wires from base of fixture



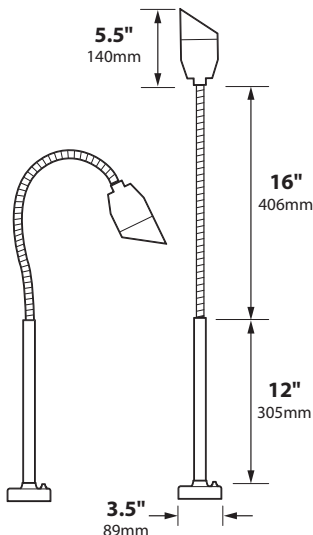
ORDERING INFORMATION

CATALOG NO.	DESCRIPTION	LAMP	SHIP WEIGHT
12v BQFD02L48SS	Deck Mount BBQ Light	7w MR16 LED SS	4.0 lbs.
120v BQFD02L134SS	Deck Mount BBQ Light	7w PAR16 LED SS	4.0 lbs.

ACCESSORIES

FA-BQCOVER

Vinyl Protective Cover For Flex-Arm
BQ Lights w/ Drawstring Closure



BQ-FD02 Cut Sheet 080318



JOB INFORMATION

Type:	Date:
Job Name:	
Cat. No.:	
Lamp(s):	
Specifier:	
Contractor:	
Notes:	

FOCUS INDUSTRIES INC.
25301 COMMERCENTRE DRIVE
LAKE FOREST, CA 92630

www.focusindustries.com
sales@focusindustries.com
(949) 830-1350 • FAX (949) 830-3390