



COMMERCIAL BARBECUE LIGHT BQ-CWB03 COMMERCIAL SERIES

TYPE



SPECIFICATIONS

- CONSTRUCTION:** 316 stainless steel housing
- ARM:** 24" tall 316 stainless steel ridged stem and 335° x 90° rotating swivel
- MOUNT:** 7" Diameter, 6 pound weight with stainless steel cover and non-skid rubber padding
- FINISH:** Stainless Steel – Brushed
- LENS:** High impact clear tempered flat glass
- O-RING:** High temperature red silicone, 70 durometer
- SWITCH:** On/Off push button with weatherproof rubber boot cover

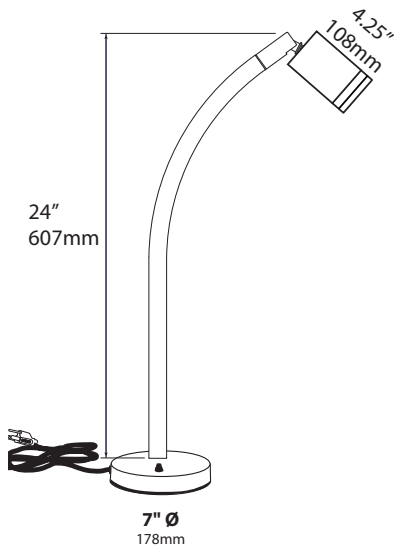
120v ELECTRICAL SPECIFICATIONS:

- LED SUPPLIED:** 7w ARROW PAR16 (L-134)
40,000 hours average rating
- SOCKET:** High temperature ceramic Base (E26/27) medium base, 250°C silicone insulated lead wires
- WIRING:** Standard Three Wire 16" lead wires from base of fixture



ORDERING INFORMATION

CATALOG NO.	DESCRIPTION	LAMP	SHIP WEIGHT
120v BQCWB03L134SS	Commercial Weighted Base BQ Light.	7w PAR16 LED SS	7.0 lbs



JOB INFORMATION	
Type:	Date:
Job Name:	
Cat. No.:	
Lamp(s):	
Specifier:	
Contractor:	
Notes:	
FOCUS INDUSTRIES INC. 25301 COMMERCENTRE DRIVE LAKE FOREST, CA 92630	
www.focusindustries.com sales@focusindustries.com (949) 830-1350 • FAX (949) 830-3390	