



BARBECUE LIGHTS: MINI ROUND BACK BQ-QC04 QUICK CONNECT SERIES

TYPE

SPECIFICATIONS

CONSTRUCTION: 316 stainless steel housing
ARM: 12" tall 316 stainless steel rigid stem with a 16" stainless steel flex arm on top and clear weatherproof polyolefin cover over flex arm
MOUNT: Quick connect
FINISH: Stainless Steel – Brushed
LENS: High impact clear tempered flat glass
O-RING: High temperature red silicone, 70 durometer
SWITCH: On/Off push button with weatherproof rubber boot cover

12v ELECTRICAL SPECIFICATIONS:

LED SUPPLIED: 3w MR11 GU5.3 Super Saver (L-68)
 40,000 hours average rating
SOCKET: High temperature ceramic GU5.3 bi-pin,
 250°C silicone insulated lead wires
WIRING: Black 10 foot 18/2 zip cord from base of fixture (12v only)
 For 25 foot 16/2 wire add -25F to catalog number

ORDERING INFORMATION

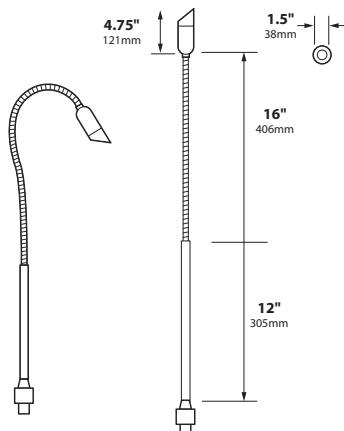
CATALOG NO.	DESCRIPTION	LAMP	SHIP WEIGHT
12v BQQC04L685S	Quick Connect BBQ Light	3w MR11 LED SS	5.0 lbs.

ACCESSORIES

FA-BQCOVER Vinyl Protective Cover For Flex-Arm
 BQ Lights w/ Drawstring Closure



Quick Connect



JOB INFORMATION	
Type:	Date:
Job Name:	
Cat. No.:	
Lamp(s):	
Specifier:	
Contractor:	
Notes:	
FOCUS INDUSTRIES INC. 25301 COMMERCENTRE DRIVE LAKE FOREST, CA 92630	
www.focusindustries.com sales@focusindustries.com (949) 830-1350 • FAX (949) 830-3390	