



COMMERCIAL BARBECUE LIGHT BQ-TCD01 SERIES

TYPE

SPECIFICATIONS

- CONSTRUCTION:** 316 stainless steel housing
ARM: 24" tall 316 stainless steel ridged stem with 2.5" twin arm on top and 335° x 90° rotating swivels
MOUNT: 316 stainless steel deck mount canopy
FINISH: Stainless Steel – Brushed
LENS: High impact clear tempered flat glass
O-RING: High temperature red silicone, 70 durometer
SWITCH: On/Off push button with weatherproof rubber boot cover

12v ELECTRICAL SPECIFICATIONS:

- LED SUPPLIED:** 7w MR16 GU5.3 Super Saver (L-48)
 40,000 hours average rating
SOCKET: High temperature ceramic GU5.3 bi-pin,
 250°C silicone insulated lead wires
WIRING: Black 10 foot 18/2 zip cord from base of fixture (12v only)
 For 25 foot 16/2 wire add-25F to catalog number

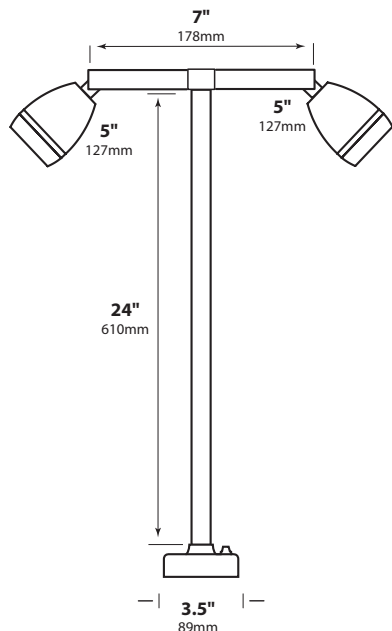
120v ELECTRICAL SPECIFICATIONS:

- LED SUPPLIED:** 7w ARROW PAR16 (L-134)
 40,000 hours average rating
SOCKET: High temperature ceramic Base (E26/27) medium base,
 250°C silicone insulated lead wires
WIRING: Standard Three Wire 16" lead wires from base of fixture



ORDERING INFORMATION

CATALOG NO.	DESCRIPTION	LAMP	SHIP WEIGHT
12v BQTC01L48SS	Commercial Deck Mount BBQ Light with Twin Heads	2x 7w MR16 LED SS	5.0 lbs.
120v BQTC01L134SS	Commercial Deck Mount BBQ Light with Twin Heads	2x 7w PAR16 LED SS	5.0 lbs.



JOB INFORMATION	
Type:	Date:
Job Name:	
Cat. No.:	
Lamp(s):	
Specifier:	
Contractor:	
Notes:	
FOCUS INDUSTRIES INC. 25301 COMMERCENTRE DRIVE LAKE FOREST, CA 92630	
www.focusindustries.com sales@focusindustries.com (949) 830-1350 • FAX (949) 830-3390	