



BARBECUE LIGHTS BQ-RXD08 SERIES



TYPE

SPECIFICATIONS

CONSTRUCTION:

FIXTURE: Cast 316 stainless steel body.

ARM: 12" 316 stainless steel rigid stem with 16" Stainless steel flex arm on top. Clear polyolefin shrink cover protection on flex arm.

MOUNT: Cast 316 stainless steel deck mount canopy

SWITCH: On/Off push button with weatherproof rubber boot cover

LENS: High impact clear tempered flat glass

O-RING: High temperature red silicone

FINISH: Stainless Steel - Brushed

12v ELECTRICAL SPECIFICATIONS:

LEGACY LAMP: 20w MR16 FL(BAB), 5000 hours average rating (35w max)

LAMP OPTIONS: We recommend 50,000 hour ARROW 4w LED (-LED) or 40,000 hour 5w (-LED5) or 7w (-LED7) ARROW Super Saver LED

SOCKET: High temperature ceramic GU5.3 bi-pin with 250°C silicone lead wires

WIRING: Black 7 foot 18/2 zip cord from base of fixture
For 25 foot 16/2 fixture lead wire add **-25F** to catalog number

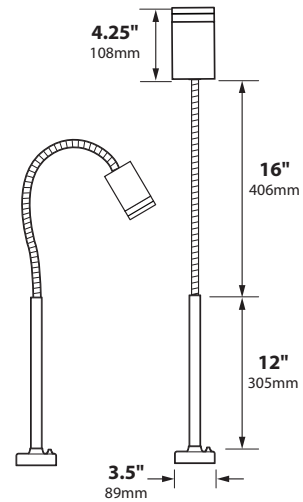
120v ELECTRICAL SPECIFICATIONS:

LEGACY LAMP: 35w MR16 medium base, 2000 hours average rating (35w max)

LED LAMP OPTION: ARROW 7w PAR16; 40,000 hour

SOCKET: High temperature ceramic medium base with 250°C silicone lead wires

WIRING: Standard Black, White and Ground 9" lead wires



ORDERING INFORMATION

CATALOG NO.	DESCRIPTION	LAMP	SHIP WEIGHT
12v			
BQ-RXD08-FD-SS	316 Stainless Steel Flex Deck BBQ Light	20w MR16	4.0 lbs.
BQ-RXD08-FDLA540-SS	316 Stainless Steel Flex Deck BBQ Light	4W MR16 LED	4.0 lbs.
120v			
BQ-RXD08FD-MR16120V-SS	316 Stainless Steel Flex Deck BBQ Light	35w MR16	4.0 lbs.
BQ-RXD08-FD-LEDPAR1636-SS	316 Stainless Steel Flex Deck BBQ Light	7w PAR16 LED	4.0 lbs.



JOB INFORMATION

Type: _____ Date: _____

Job Name: _____

Cat. No.: _____

Lamp(s): _____

Specifier: _____

Contractor: _____

Notes: _____

FOCUS INDUSTRIES INC.
25301 COMMERCENTRE DRIVE
LAKE FOREST, CA 92630

www.focusindustries.com
sales@focusindustries.com
(949) 830-1350 • FAX (949) 830-3390