



RETROFIT LED MODULE RFL-M-1-14-R SERIES

TYPE



GO GREEN

- Voltage: 120v or 277v models
- Total Watts: 14
- Lumens: 1350 lumens (Equal to Three 13w CFL lamps)
- Lumens Per Watt: 96
- High power factor >0.98
- THD 24% (Total Harmonic Distortion)
- CCT: 3000K (optional 4000K available @ 1400 lumens)
- CRI: 80
- Estimated Life: 50,000 hours (L70)
- Cool Beam, No UV or IR
- Dimmable down to 4% with most triac or electronic dimmers
- On board line surge protection
- 5 Year Limited Warranty
- Remote Phosphor LED technology
- Integrated LED Driver on board
- Polycarbonate protective optical lens
- Multiple mounting options with custom mounting plates for any size fixture



RFL-M1-14-R-30-120-55A

LED Module Compliance & Certification

- Energy Star CSD (Certified Lighting Subcomponent Database)
- UL8750 Recognized Component
- RoHS Compliant - Energy Efficient - Environmentally Friendly
- LM79: No (LM79 does not apply to COB technology)
- FCC Compliance Class B



RoHS
compliant

ORDERING INFORMATION

CATALOG NO.	DESCRIPTION	SHIP WEIGHT
120v Input		
RFL-M1-14-R-30-120	14W RETROFIT LED MODULE, 1350 LUMEN, 3000K, 120V INPUT	1 lbs
RFL-M1-14-R-40-120	14W RETROFIT LED MODULE, 1400 LUMEN, 4000K, 120V INPUT	1 lbs
RFL-M1-14-R-30-120-55A*	14W RETROFIT LED MODULE, 1350 LUMEN, 3000K, 120V INPUT, 5.5" X 5.5" MOUNTING PLATE	1 lbs
RFL-M1-14-R-40-120-55A*	14W RETROFIT LED MODULE, 1400 LUMEN, 4000K, 120V INPUT, 5.5" X 5.5" MOUNTING PLATE	1 lbs
* Consult Factory for custom sized back plate part number		
RFL-M1-14-R-30-120-55AM	14W RETROFIT LED MODULE, 1350 LUMEN, 3000K, 120V INPUT, 5.5" MAGNETIC MOUNTING PLATE	2 lbs
RFL-M1-14-R-40-120-55AM	14W RETROFIT LED MODULE, 1400 LUMEN, 4000K, 120V INPUT, 5.5" MAGNETIC MOUNTING PLATE	2 lbs
277v Input		
RFL-M1-14-R-30-277	14W RETROFIT LED MODULE, 1350 LUMEN, 3000K, 277V INPUT	1 lbs
RFL-M1-14-R-40-277	14W RETROFIT LED MODULE, 1400 LUMEN, 4000K, 277V INPUT	1 lbs
RFL-M1-14-R-30-277-55A*	14W RETROFIT LED MODULE, 1350 LUMEN, 3000K, 277V INPUT, 5.5" X 5.5" MOUNTING PLATE	1 lbs
RFL-M1-14-R-40-277-55A*	14W RETROFIT LED MODULE, 1400 LUMEN, 4000K, 277V INPUT, 5.5" X 5.5" MOUNTING PLATE	1 lbs
* Consult Factory for custom sized back plate part number		
RFL-M1-14-R-30-277-55AM	14W RETROFIT LED MODULE, 1350 LUMEN, 3000K, 277V INPUT, 5.5" MAGNETIC MOUNTING PLATE	2 lbs
RFL-M1-14-R-40-277-55AM	14W RETROFIT LED MODULE, 1400 LUMEN, 4000K, 277V INPUT, 5.5" MAGNETIC MOUNTING PLATE	2 lbs

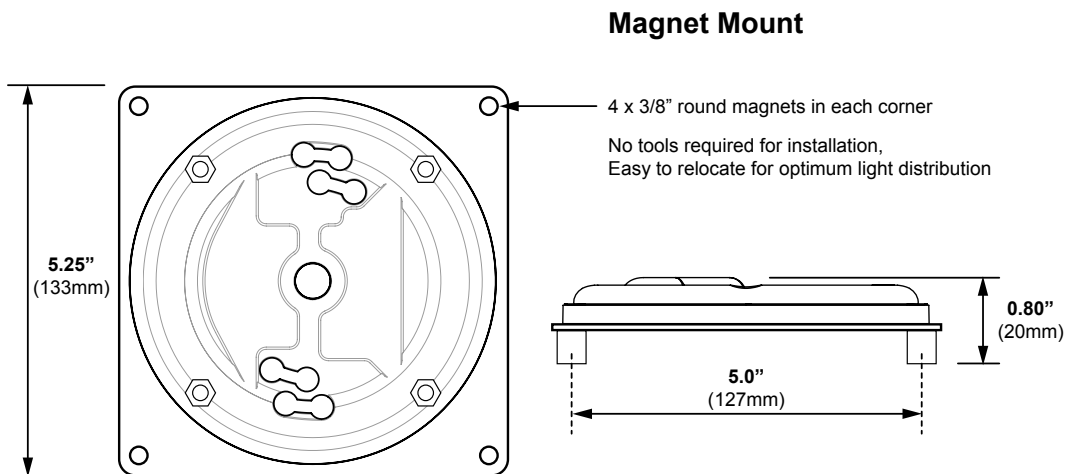
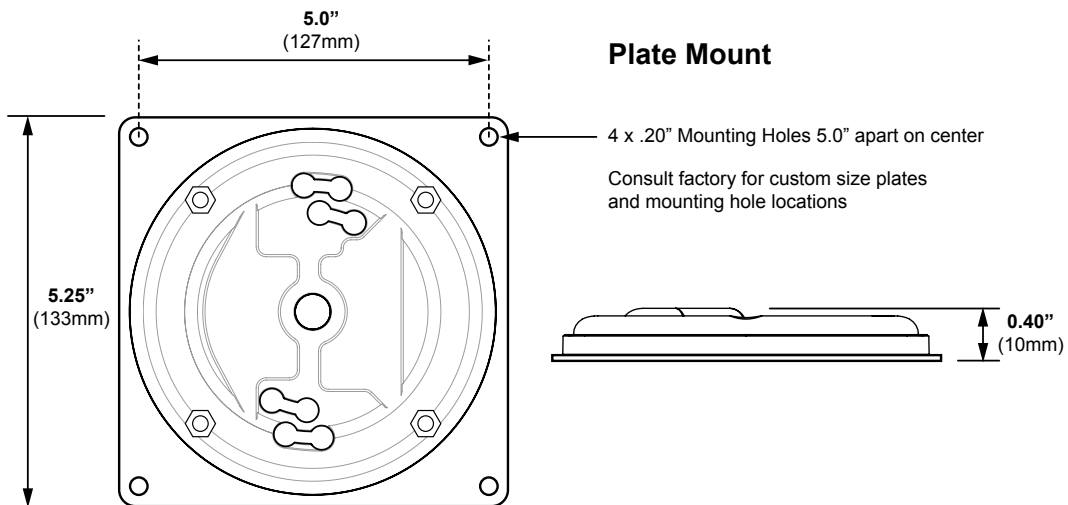
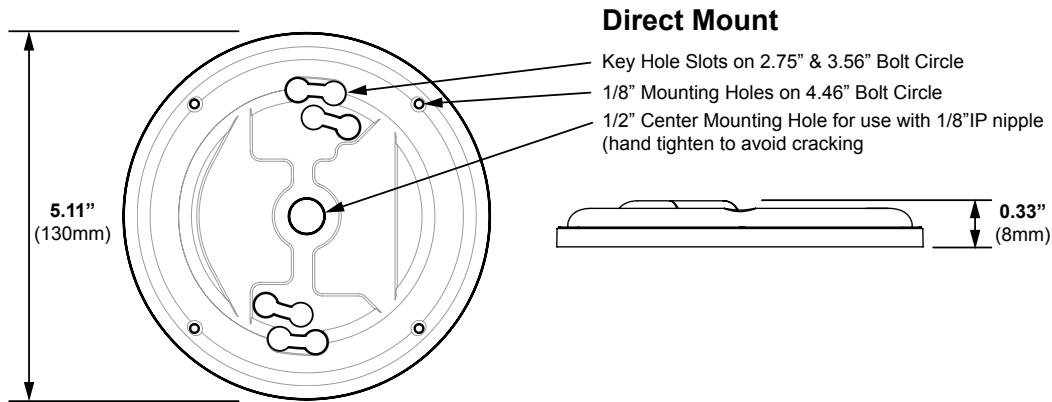


RETROFIT LED MODULE RFL-M-1-14-R SERIES

TYPE



MOUNTING OPTIONS





RETROFIT EOS LED MODULES

TYPE

Retrofit Using Focus EOS Modules

- Increase Light Output
- Increase Energy Efficiency
- Lower Maintenance Costs
- Upgrade to 50,000 hr lamp life
- 5 year warranty



Uninstall Fixture



Remove Fixture & Disconnect Wiring

Remove Obsolete Components (Lamps, Sockets & Ballast)

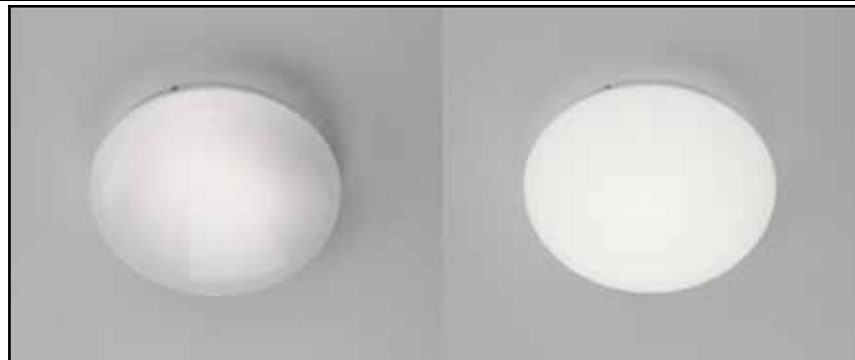
Install Focus EOS Module



Install 1598C Retrofit

Reinstall Fixture **NO UL TESTING!**

Before & After



Improved Performance & Cost Savings!