



RETROFIT LED MODULE RFL-M-1-13-R SERIES

TYPE



GO GREEN

- Voltage: 120v
- Total Watts: 13
- Lumens: 900 lumens (Equal to 26w CFL)
- Lumens Per Watt: 69
- High power factor >0.98
- THD 26% (Total Harmonic Distortion)
- CCT: 3000K (optional 4000K available @ 1000 lumens)
- CRI: 80
- Estimated Life: 50,000 hours (L70)
- Cool Beam, No UV or IR
- Dimmable down to 5% with most triac or electronic dimmers
- On board line surge protection
- 5 Year Limited Warranty
- Remote Phosphor LED technology
- Integrated LED Driver on board (120v input only)
- Polycarbonate protective optical lens
- Multiple mounting options with custom mounting plates for any size fixture



RFL-M1-13-R-30-120-33A

LED Module Compliance & Certification

- Energy Star CSD (Certified Lighting Subcomponent Database)
- UL8750 Recognized Component
- RoHS Compliant - Energy Efficient - Environmentally Friendly
- LM79: No (LM79 does not apply to COB technology)
- FCC Compliance Class B



RoHS compliant

ORDERING INFORMATION

CATALOG NO.	DESCRIPTION	SHIP WEIGHT
120v Input		
RFL-M1-13-R-30-120	13W RETROFIT LED MODULE, 900 LUMEN, 3000K, 120V INPUT	1 lbs
RFL-M1-13-R-40-120	13W RETROFIT LED MODULE, 1000 LUMEN, 4000K, 120V INPUT	1 lbs
RFL-M1-13-R-30-120-33A*	13W RETROFIT LED MODULE, 900 LUMEN, 3000K, 120V INPUT, 3" X 3" MOUNTING PLATE	1 lbs
RFL-M1-13-R-40-120-33A*	13W RETROFIT LED MODULE, 1000 LUMEN, 4000K, 120V INPUT, 3" X 3" MOUNTING PLATE	1 lbs
* Consult Factory for custom sized back plate part number		
RFL-M1-13-R-30-120-33AM	13W RETROFIT LED MODULE, 900 LUMEN, 3000K, 120V INPUT, 3" MAGNETIC MOUNTING PLATE	2 lbs
RFL-M1-13-R-40-120-33AM	13W RETROFIT LED MODULE, 1000 LUMEN, 4000K, 120V INPUT, 3" MAGNETIC MOUNTING PLATE	2 lbs

277v Input

Not Available. 277v input only available in 6w or 14w models



RETROFIT LED MODULE RFL-M-1-13-R SERIES

TYPE



MOUNTING OPTIONS

Direct Mount

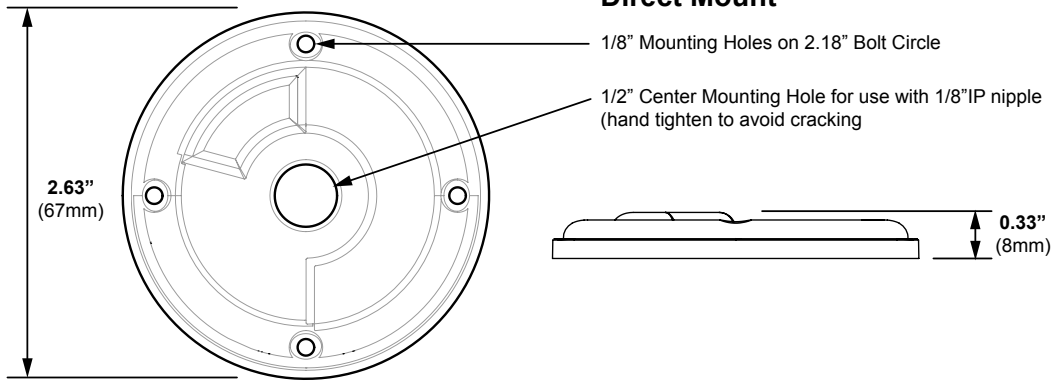
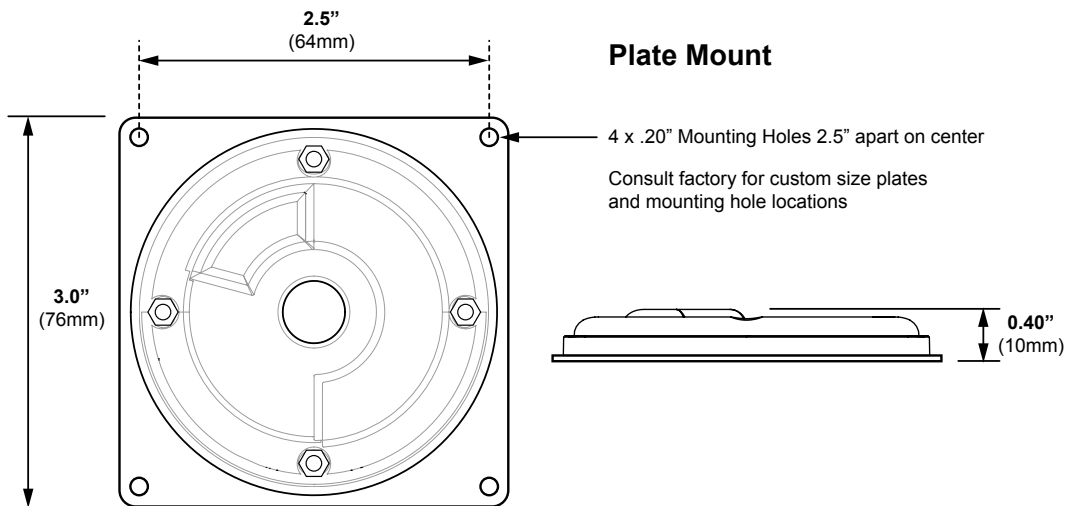
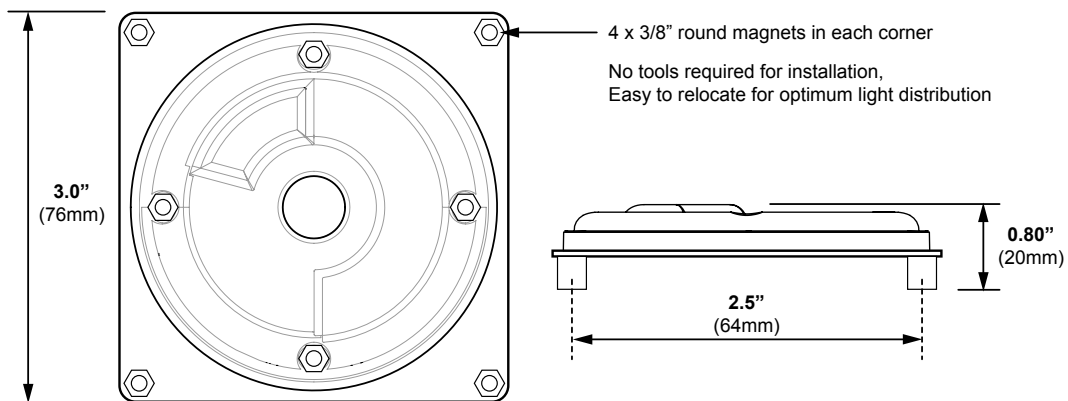


Plate Mount



Magnet Mount





RETROFIT EOS LED MODULES

TYPE

Retrofit Using Focus EOS Modules

- Increase Light Output
- Increase Energy Efficiency
- Lower Maintenance Costs
- Upgrade to 50,000 hr lamp life
- 5 year warranty



Uninstall Fixture



Remove Fixture & Disconnect Wiring

Remove Obsolete Components (Lamps, Sockets & Ballast)

Install Focus EOS Module

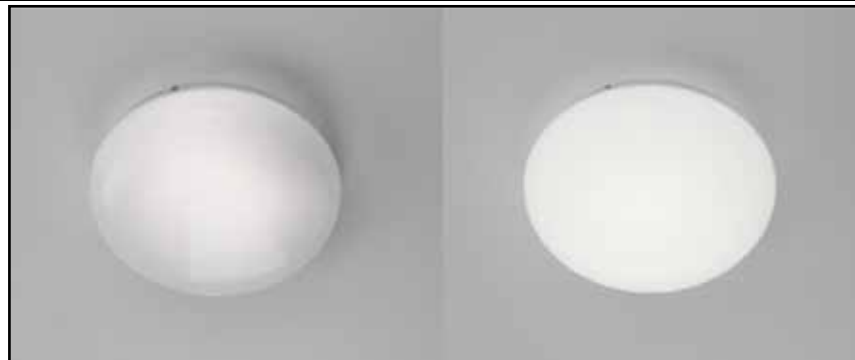


Install 1598C Retrofit

Reinstall Fixture

NO UL TESTING!

Before & After



Improved Performance & Cost Savings!