



TRANSFORMERS WT SERIES

TYPE



MATERIAL/FEATURES

- UL1838 and UL1598 Listed
- 100 watt output to 1200 watt output models available
- Heavy duty extruded 6063-T6 aluminum enclosure
- Lockable slide cover
- Rain tight NEMA 3R rated
- LED indicators for instant recognition of 120v and 12v power
- Photocell ready with quick connector
- Mounting plate and hardware supplied for easy installation

FINISH

- Black Gloss polyester powder coat; optional polyester powder coat options available

ELECTRICAL

- Long life, high temperature (130°C) Class B rated transformer core
- Copper shielded Isolation/Insulation type - no contact between 120v & 12v windings
- 1500v isolation between all windings and ground
- Electrical grade M19 steel for superior electrical and magnetic properties
- Strip copper secondary windings for lower temperature rise.
- Single phase, open core and coil
- EL laminated windings (linear output) vacuum impregnated with black slate flour
- Filled varnish for superior heat dissipation and noise reduction. Class 180°C
- Resettable magnetic circuit breaker for overload and short circuit protection
- 120 volt primary, 50/60 hertz/cycle standard. Optional 277v primary (100w & 300w only) and 240v primary (300w only)
- 12.5 volt secondary
- Multi-Volt 12.5/13.5/14.5 (-MV) available. (300w/600w/900w/1200w only)
- 6 foot 18/3 SJT-WA weatherproof grounded power cord with flat angle plug
- On/Off rocker switch



WT-12-600TPC-CAM

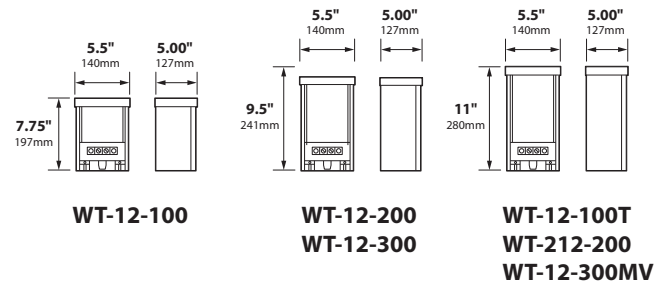


UL 1838
UL 1598



OPTIONS

- MV Multi-Voltage 12.5v, 13.5v, 14.5v Output (300w/600w/900w/1200w)
- TR Timer Ready for plug in timers supplied by others
- T Mechanical Timer
- DT Digital Timer
- AT Astro Timer
- PC Photocell
- RPC Remote Photocell
- D Full Phase/Range Dimmer
- R 12v & 24v VAC Relay
- 277V 277v input (100w & 300w model only with 12.5 output. No MV output)
- 240V 240v input (300w model only with 12.5 output. No MV output)



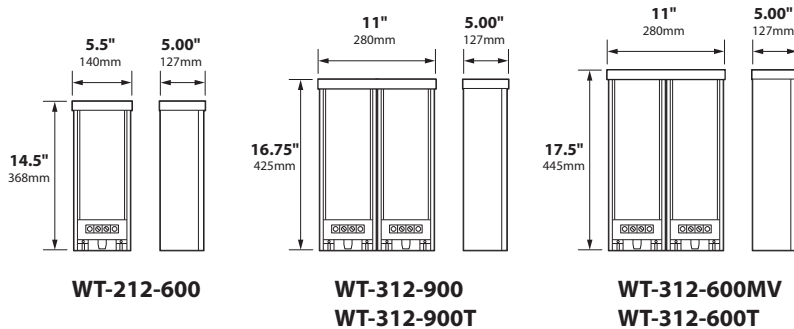
WT-12-100

WT-12-200
WT-12-300

WT-12-100T
WT-212-200
WT-12-300MV

WARRANTY

- 5 year warranty on enclosure



WT-212-600

WT-312-900
WT-312-900T

WT-312-600MV
WT-312-600T

JOB INFORMATION														
Type:	Date:													
Job Name:														
Cat. No.:														
Lamp(s):														
Specifier:														
Contractor:														
Notes:														
FOCUS INDUSTRIES INC. 25301 COMMERCENTRE DRIVE LAKE FOREST, CA 92630														
www.focusindustries.com sales@focusindustries.com (949) 830-1350 • FAX (949) 830-3390														
Black Texture (Standard)	Antique Verde	Bronze Texture	Camel	White Texture	Hunter Texture	Rust	Weathered Iron	Weathered Brown	Stucco	Rubbed Verde	Chrome Powder	Acid Rust	Acid Verde	Black Acid Treatment
-BLT	-ATV	-BRT	-CAM	-WTX	-HTX	-RST	-WIR	-WBR	-STU	-RBV	-CPR	-BAR/CAR	-BAV/CAV	-BAT
BRASS & COPPER ONLY														



TRANSFORMERS WT SERIES

TYPE



ORDERING INFORMATION

CATALOG NO.	DESCRIPTION	OUTPUT
WT-12-100	Aluminum 100 Watt Transformer	12.5v
WT-12-200	Aluminum 200 Watt Transformer	12.5v
WT-12-300	Aluminum 300 Watt Transformer	12.5v
WT-12-300MV	Aluminum 300 Watt Multi-Voltage Transformer	12.5v, 13.5v, 14.5v
WT-212-200	Aluminum 200 Watt Transformer, 2 Circuits	12.5v
WT-212-300	Aluminum 300 Watt Transformer, 2 Circuits	12.5v
WT-212-600	Aluminum 600 Watt Transformer, 2 Circuits	12.5v
WT-212-600MV	Aluminum 600 Watt Multi-Voltage Transformer, 2 Circuits	12.5v, 13.5v, 14.5v
WT-312-900	Aluminum 900 Watt Transformer, 3 Circuits	12.5v
WT-312-900MV	Aluminum 900 Watt Multi-Voltage Transformer, 3 Circuits	12.5v, 13.5v, 14.5v
WT-412-1200	Aluminum 1200 Watt Transformer, 4 Circuits	12.5v
WT-412-1200MV	Aluminum 1200 Watt Multi-Voltage Transformer, 4 Circuits	12.5v, 13.5v, 14.5v
277 Volt Option:		
WT-12-100-277V	Aluminum 100 Watt Transformer, 277v Input	12.5v
WT-12-300-277V	Aluminum 300 Watt Transformer, 277v Input	12.5v
240 Volt Option:		
WT-12-300-240V	Aluminum 300 Watt Transformer, 240v Input	12.5v

Black Texture (Standard)	Antique Verde	Bronze Texture	Camel	White Texture	Hunter Texture	Rust	Weathered Iron	Weathered Brown	Stucco	Rubbed Verde	Chrome Powder	Acid Rust	Acid Verde	Black Acid Treatment
-BLT	-ATV	-BRT	-CAM	-WTX	-HTX	-RST	-WIR	-WBR	-STU	-RBV	-CPR	-BAR/CAR	-BAV/CAV	-BAT