



ABOVE GRADE HID BALLASTS WT-120 SERIES

TYPE



SPECIFICATIONS & FEATURES

- UL1598 Listed
- Heavy duty extruded 6063-T6 aluminum enclosure
- Lockable slide cover
- Rain Tight NEMA 3R rated
- Mounting plate and hardware supplied for easy installation

FINISH

- Black Gloss polyester powder coat; optional polyester powder coat options available

WARRANTY

- 5 year warranty on enclosure
- 3 year warranty on mechanical/electrical components



WT-120-MHM-130

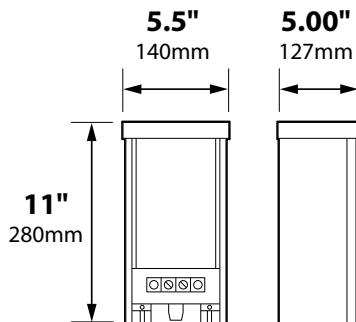


UL 1838
UL 1598



ORDERING INFORMATION

CATALOG NO.	DESCRIPTION	SHIP WEIGHT
WT-120-MHM130	Metal Halide Ballast for 35w PAR20 or 35w PAR30	11 lbs.
WT-120-MHM130T	Twin Metal Halide Ballast for 2 x 35w PAR20 or 35w PAR30	20 lbs.
WT-120-MH-M98S	Metal Halide Ballast for 70w R40 or 70w PAR38	11 lbs.
WT-120-MH-M98T	Twin Metal Halide Ballast for 2 x 70w R40 or 70w PAR38	20 lbs.
WT-120-MH-M90S	Metal Halide Ballast for 100w PAR38	11 lbs.
WT-120-MH-M90T	Twin Metal Halide Ballast for 2 x 100w PAR38	20 lbs.
WT-120-MH-M102S	Metal Halide Ballast for 150w PAR38	11 lbs.
WT-120-MH-M102T	Twin Metal Halide Ballast for 2 x 150w PAR38	20 lbs.
WT-120-MH-M57S	Metal Halide Ballast for 175w R40 or 175w PAR38	11 lbs.
WT-120-MH-M57T	Twin Metal Halide Ballast for 2 x 175w R40 or 175w PAR38	20 lbs.



JOB INFORMATION

Type: _____ Date: _____

Job Name: _____

Cat. No.: _____

Lamp(s): _____

Specifier: _____

Contractor: _____

Notes: _____

FOCUS INDUSTRIES INC.
25301 COMMERCENTRE DRIVE
LAKE FOREST, CA 92630

www.focusindustries.com
sales@focusindustries.com
(949) 830-1350 • FAX (949) 830-3390

Black Texture (Standard)	Antique Verde	Bronze Texture	Camel	White Texture	Hunter Texture	Rust	Weathered Iron	Weathered Brown	Stucco	Rubbed Verde	Chrome Powder	Acid Rust	Acid Verde	Black Acid Treatment
-BLT	-ATV	-BRT	-CAM	-WTX	-HTX	-RST	-WIR	-WBR	-STU	-RBV	-CPR	-BAR/CAR	-BAV/CAV	-BAT