



CUSTOM WALL MOUNT SIGN LIGHT

Lahaina Center

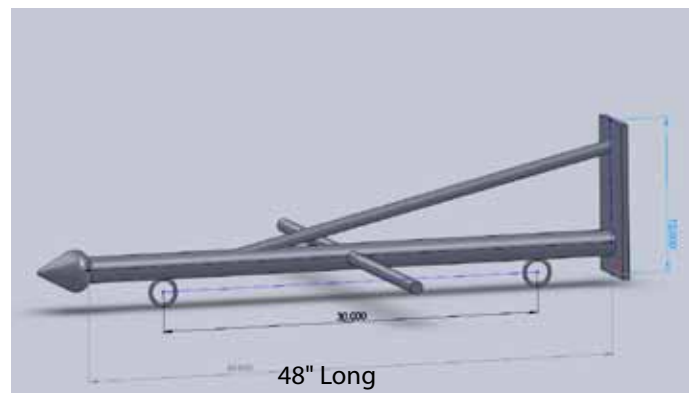
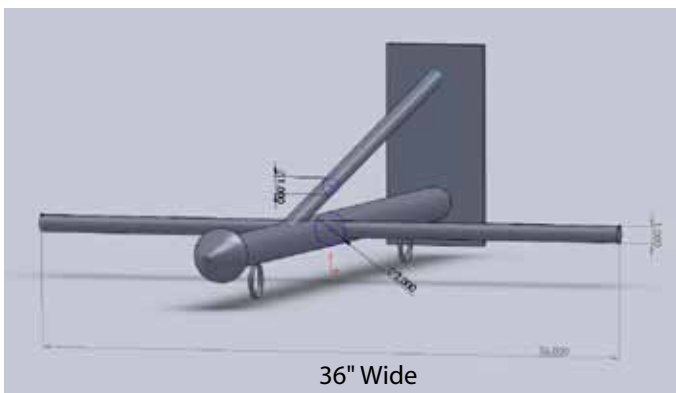
TYPE



SPECIFICATIONS

- SIGN HOLDER BRACKET:** Extruded brass with brass hardware
- FIXTURES:** Two RXD-08 machined brass cylinder bullets with threaded cap & cast brass adjustable swivel
- LENS:** Clear tempered flat glass
- O-RING:** High temperature red silicone
- LAMP:** MR16 (not supplied) 20w max
- SOCKET:** High temperature ceramic GU5.3 bi-pin with 250°C silicone lead wires
- WIRING:** Standard 120v black, white, green
- MOUNTING:** Welded wall mount bracket attached. Mounting holes to be determined.
- FINISH:** White Gloss polyester powder coat.

NOTE: Sign supplied by others.



ORDERING INFORMATION

CATALOG NO.	DESCRIPTION	LAMP	EST SHIP WEIGHT
SLS-WM-RXD08NLBRSWHT	Custom wall mount sign holder & light with two RXD-08 Brass Bullets	None Supplied	36 lbs.



BEAM/GLARE CONTROL ACCESSORIES

- FA-08-21** Round 1/8" Black Hex Cell Louver
- FA-99** Clear convex lens
- FA-11-BLUE** Blue Tempered Flat Glass Lens
- FA-11-GREEN** Green Tempered Flat Glass Lens
- FA-11-AMBER** Amber Tempered Flat Glass Lens
- FA-11-RED** Red Tempered Flat Glass Lens
- FA-98-36C16** Linear Spread Tempered Glass Lens
- FA-104-SB** Wide Spread Sand Blasted Glass Lens

JOB INFORMATION

Type:	Date:
Job Name:	
Cat. No.:	
Lamp(s):	
Specifier:	
Contractor:	
Notes:	

FOCUS INDUSTRIES INC.®
 25301 COMMERCENTRE DRIVE
 LAKE FOREST, CA 92630

www.focusindustries.com
sales@focusindustries.com
 (949) 830-1350