



landscape • entertainment • architectural • hospitality • illumination

SL-05 HANGING LIGHTS





HANGING LIGHTS SL-05 SERIES



TYPE

SPECIFICATIONS

CONSTRUCTION: Spun aluminum, brass or copper hanging bell on 18" long baby oval brass chain and cast brass hoop

LENS: None

LAMP SUPPLIED: 18 watt S8 #1141; 1200 hours average rating (25w max)

LAMP OPTIONS: We recommend 3w 50,000 hours average rating OMNI-3 LED (-LED3) or OMNI-1 Super Saver (-LED3SS) 10,000 hours average rating 20w Xenon (-X) or 20w Halogen (-H)

SOCKET: Single contact bayonet, brass nickel plated lamp socket screw shell (Ba15s)

WIRING: Black 2 foot 18/2 zip cord from base of fixture (12v only)

For 25 foot 16/2 fixture lead wire add -25F to catalog number.

CONNECTION: FA-05 Quick Connector (not supplied) from fixture to main cable (12/2, 10/2 or 8/2 only)

MOUNTING: FA-111-SMH surface mount mini junction box and hardware

FINISH: Aluminum - Black texture polyester powder coat. Optional finishes available
Brass and Copper - Unfinished. Optional finishes available

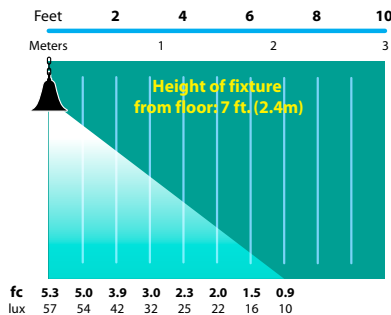


SL-05-BRS

ORDERING INFORMATION

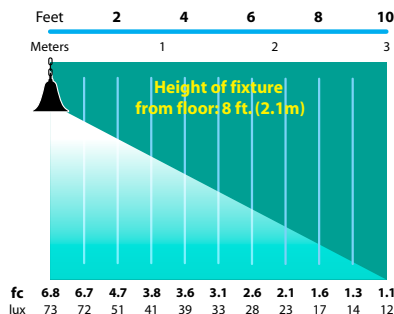
CATALOG NO.	DESCRIPTION	LAMP	SHIP WEIGHT
SL-05-BLT	Spun Aluminum Bell Hanging Light with Chain and J-Box	18w S8 #1141	1.0 lbs.
SL-05-BRS	Spun Brass Bell Hanging Light with Chain and J-Box	18w S8 #1141	1.0 lbs.
SL-05-COP	Spun Copper Bell Hanging Light with Chain and J-Box	18w S8 #1141	1.0 lbs.

LIGHT DISTRIBUTIONS AND PHOTOMETRICS



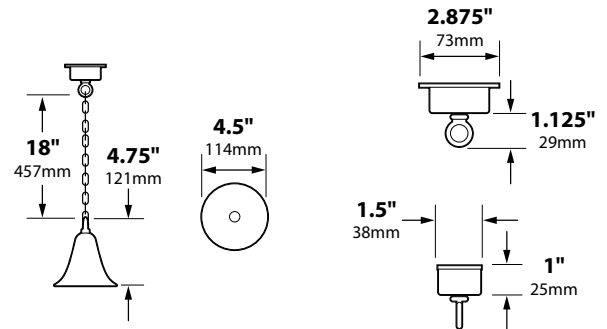
SL-05

Half Spread Photometrics
14 ft. (4.3m) diameter



SL-05

Half Spread Photometrics
20 ft. (6.0m) diameter



FA-111-SMH



JOB INFORMATION

Type: _____ Date: _____

Job Name: _____

Cat. No.: _____

Lamp(s): _____

Specifier: _____

Contractor: _____

Notes: _____

FOCUS INDUSTRIES INC. 25301 COMMERCENTRE DRIVE LAKE FOREST, CA 92630
www.focusindustries.com sales@focusindustries.com (949) 830-1350 • FAX (949) 830-3390

Black Texture (Standard)	Antique Verde	Bronze Texture	Camel	White Texture	Hunter Texture	Rust	Weathered Iron	Weathered Brown	Stucco	Rubbed Verde	Chrome Powder	Acid Rust	Acid Verde	Black Acid Treatment
-BLT	-ATV	-BRT	-CAM	-WTX	-HTX	-RST	-WIR	-WBR	-STU	-RBV	-CPR	-BAR/CAR	-BAV/CAV	-BAT