



TRANSFORMERS MLT SERIES

TYPE



MATERIAL/FEATURES

- UL1838 and UL1598 Listed
- 900 watt output and 1,200 watt output models available
- 316 Stainless Steel enclosure (Lifetime Warranty)
- Sealed removable, lockable hinged door
- Rain Tight NEMA 3R rated
- LED indicators for instant recognition of 120 volt and 12 volt power
- Photocell Ready with quick connector
- Supplied with conduit knockouts and accessory knockouts
- Bottom panel swings down for easy access wiring
- Mounting plate and hardware supplied for easy installation



UL 1838
UL 1598



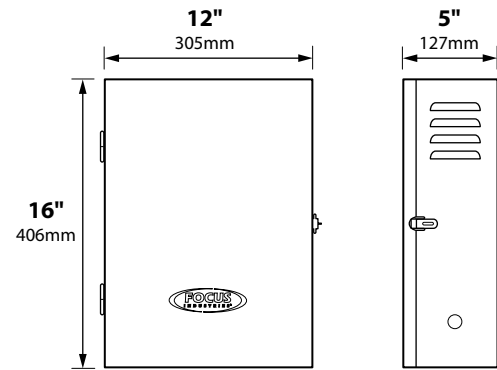
FINISH

- Brushed Stainless Steel; optional polyester powder coat options available

ELECTRICAL

- Long life, high temperature (130°C) Class B rated transformer core
- Copper Shielded Isolation/Insulation type - no contact between 120 volt & 12 volt windings.
- 1500 volt isolation between all windings and ground
- Electrical Grade M19 steel for superior electrical and magnetic properties
- Strip copper secondary windings for lower temperature rise.
- Single phase, open core and coil
- EL laminated windings (linear output) vacuum impregnated with black slate flour
- Filled varnish for superior heat dissipation and noise reduction. Class 180°C
- Resettable magnetic circuit breaker for overload and short circuit protection
- 120 volt primary, 12.5 volt secondary 50/60 hertz/cycle standard
- 6 foot 18/3 SJT-WA weatherproof grounded power cord with flat angle plug
- On/Off rocker switch

MLT-412-1200-MV42DT

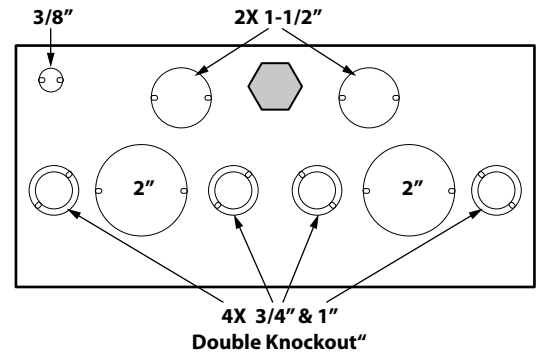


OPTIONS

- MV Multi-Voltage 12.5v, 13.5v, 14.5v output (on one to 4 circuits)
- TR Timer Ready for plug in timers supplied by others
- T Mechanical Timer
- DT Digital Timer
- AT Astronomical Timer
- PC Photocell
- RPC Remote Photocell
- D Full phase/range dimmer
- R 24VAC Relay

WARRANTY

- Limited lifetime warranty on enclosure
- 10 year warranty on mechanical/electrical components
- 3 year warranty on all timers



BOTTOM PANEL KNOCKOUTS

ORDERING INFORMATION

CATALOG NO.	DESCRIPTION	OUTPUT
MLT-312-900	Stainless Steel 900 Watt (3x300w) Transformer	3 x 12.5v
MLT-312-900-MV1	Stainless Steel 900 Watt (3x300w) Transformer	1 x MV / 2 x12.5v
MLT-312-900-MV2	Stainless Steel 900 Watt (3x300w) Transformer	2 x MV / 1 x12.5v
MLT-312-900-MV3	Stainless Steel 900 Watt (3x300w) Transformer	3 x MV
MLT-412-1200	Stainless Steel 1200 Watt (4x300w) Transformer	4 x 12.5v
MLT-412-1200-MV2	Stainless Steel 1200 Watt (4x300w) Transformer	2 x MV / 2 x12.5v
MLT-412-1200-MV4	Stainless Steel 1200 Watt (4x300w) Transformer	4 x MV

JOB INFORMATION

Type:	Date:
Job Name:	
Cat. No.:	
Lamp(s):	
Specifier:	
Contractor:	
Notes:	

FOCUS INDUSTRIES INC. 25301 COMMERCENTRE DRIVE LAKE FOREST, CA 92630
www.focusindustries.com sales@focusindustries.com (949) 830-1350 • FAX (949) 830-3390

Black Texture (Standard)	Antique Verde	Bronze Texture	Camel	White Texture	Hunter Texture	Rust	Weathered Iron	Weathered Brown	Stucco	Rubbed Verde	Chrome Powder	Acid Rust	Acid Verde	Black Acid Treatment
-BLT	-ATV	-BRT	-CAM	-WTX	-HTX	-RST	-WIR	-WBR	-STU	-RBV	-CPR	-BAR/CAR	-BAV/CAV	-BAT