



LED FLOOD LIGHTS

LFL-01-4LEDP8120V

TYPE



SPECIFICATIONS

CONSTRUCTION: Extruded aluminum floodlight with cast aluminum adjustable swivels.

LENS: High impact clear acrylic

LIGHT SOURCE: 4 x 12v, 8w integrated LED flat panel, warm white 3000K (5200K available)

LIFETIME RATING: 50,000 hours

SOCKET: None

120V INTERNAL DRIVER: 8w output, 120v 20/60Hz input.

WIRING 120v: Standard 120v Black, White and Ground 9" lead wires

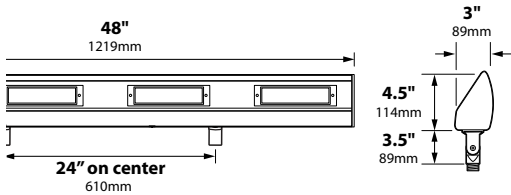
MOUNTING 120v: None supplied. See Mounting Accessories below for options

FINISH: Black texture polyester powder coat. Optional finishes available

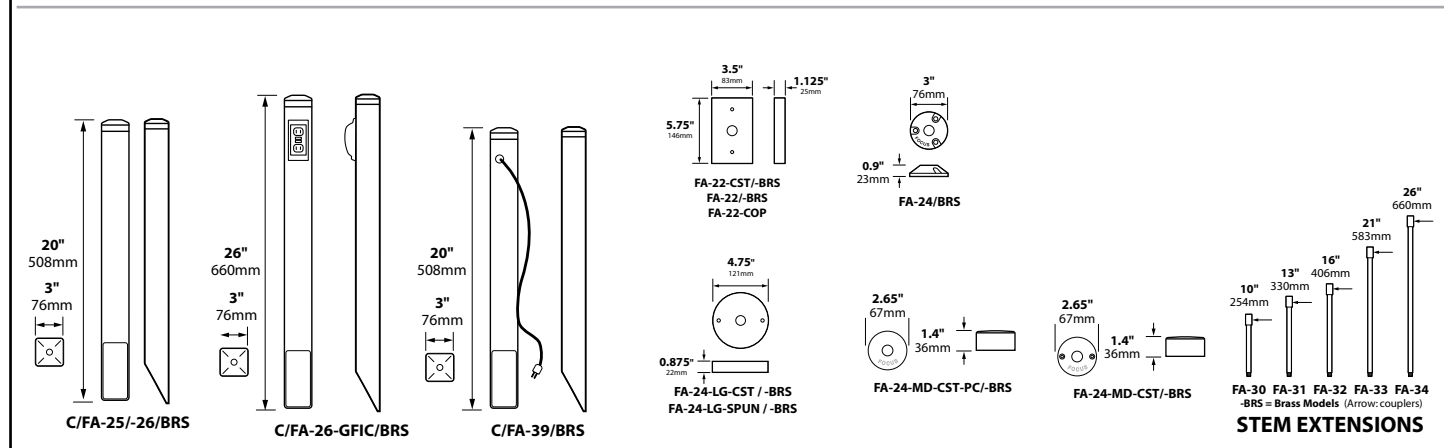


ORDERING INFORMATION

CATALOG NO.	DESCRIPTION	LAMP	SHIP WEIGHT
LFL-01-4LEDP8120VBLT	Aluminum LED Floodlight, 120v Driver	4 x 8w, 3000K LED Panel	7.0 lbs.



MOUNTING ACCESSORIES



JOB INFORMATION

Type: _____ Date: _____

Job Name: _____

Cat. No.: _____

Lamp(s): _____

Specifier: _____

Contractor: _____

Notes: _____



FOCUS INDUSTRIES INC.
25301 COMMERCENTRE DRIVE
LAKE FOREST, CA 92630

www.focusindustries.com
sales@focusindustries.com
(949) 830-1350 • FAX (949) 830-3390

Black Texture (Standard)	Antique Verde	Bronze Texture	Camel	White Texture	Hunter Texture	Rust	Weathered Iron	Weathered Brown	Stucco	Rubbed Verde	Chrome Powder	Terra Cotta	Acid Rust	Acid Verde	Black Acid Treatment
-BLT	-ATV	-BRT	-CAM	-WTX	-HTX	-RST	-WIR	-WBR	-STU	-RBV	-CPR	-TRC	-BAR/CAR	-BAV/CAV	-BAT