



LED FLOOD LIGHTS

LFL-01-2LEDP8120V

TYPE



SPECIFICATIONS

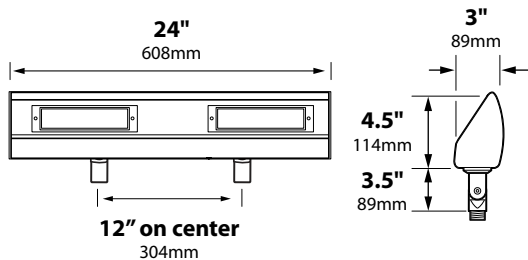
- CONSTRUCTION:** Extruded aluminum floodlight with cast aluminum adjustable swivels.
- LENS:** High impact clear acrylic
- LIGHT SOURCE:** 2x 12v, 8w integrated LED flat panel, warm white 3000K (5200K available)
- LIFETIME RATING:** 50,000 hours
- SOCKET:** None
- 120V INTERNAL DRIVER:** 2 x 10w output, 120v 20/60Hz input.
- WIRING 120v:** Standard 120v Black, White and Ground 9" lead wires
- MOUNTING 120v:** None supplied. See Mounting Accessories below for options
- FINISH:** Black Texture polyester powder coat. Optional finishes available



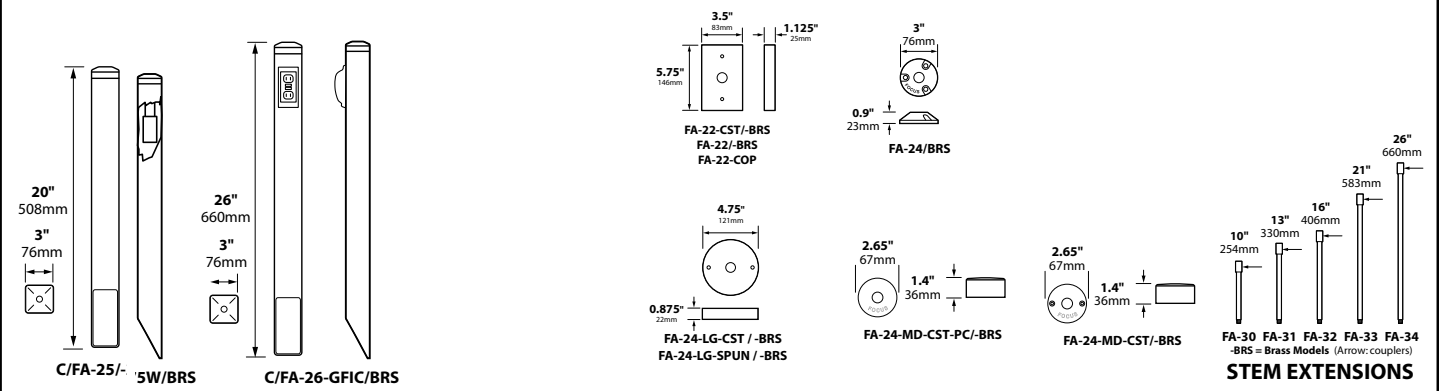
LFL-01-2LEDP8120V-CAM

ORDERING INFORMATION

CATALOG NO.	DESCRIPTION	LAMP	SHIP WEIGHT
LFL-01-2LEDP8120V	Aluminum LED Floodlight, 120v Driver	2 x 8w, 3000K LED Panel	6.0 lbs.



MOUNTING ACCESSORIES



JOB INFORMATION

Type: _____ Date: _____

Job Name: _____

Cat. No.: _____

Lamp(s): _____

Specifier: _____

Contractor: _____

Notes: _____



FOCUS INDUSTRIES INC.
25301 COMMERCENTRE DRIVE
LAKE FOREST, CA 92630

www.focusindustries.com
sales@focusindustries.com
(949) 830-1350 • FAX (949) 830-3390

Black Texture (Standard)	Antique Verde	Bronze Texture	Camel	White Texture	Hunter Texture	Rust	Weathered Iron	Weathered Brown	Stucco	Rubbed Verde	Chrome Powder	Acid Rust	Acid Verde	Black Acid Treatment
-BLT	-ATV	-BRT	-CAM	-WTX	-HTX	-RST	-WIR	-WBR	-STU	-RBV	-CPR	-BAR/CAR	-BAV/CAV	-BAT