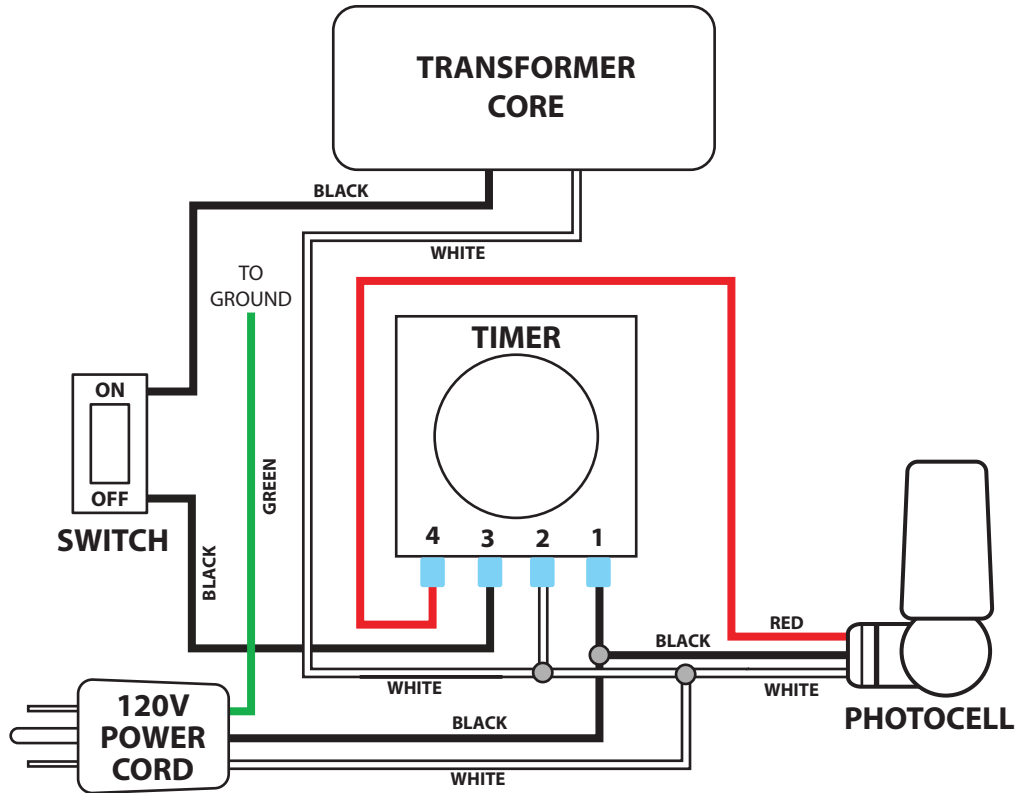


***Instructions for both Manual Timer (-T) and Digital timers (-DT)***

- 1.** BLACK from Photocell to power cord BLACK and to #1 position on Timer
- 2.** WHITE from Photocell to power cord WHITE and #2 position on Timer and WHITE from transformer core
- 3.** RED from Photocell to #4 position on Timer
- 4.** OFF position of On/Off Switch to #3 on Timer
- 5.** ON position of On/Off Switch to BLACK from transformer core



**FOR QUESTIONS CALL 1-888-882-1350**