



DIRECT BURIAL - SMALL TRANSFORMER / JUNCTION BOX

TYPE





DIRECT BURIAL - SMALL TRANSFORMER / JUNCTION BOX

TYPE

SPECIFICATIONS & FEATURES

- Heavy duty bronze high temperature fiberglass reinforced composite bucket.
- Composite cover or Brass cover
- 1/2" NPS bottom hubs for line voltage input, feed through & low voltage output
- 1/2" NPS mounting hubs available on cover (specify at time of order if tapping required)
- NEMA 6 rated enclosure for below grade direct burial applications
- UL 1838 and UL 1598 certified
- Max distance from transformer/LED Driver to lamp(s) is 20 feet
- 3 year warranty on enclosure and mechanical/electrical components

NOTE: Brass cover available in acid treated finishes to match fixtures:
 Brass Acid Rust (-BAR) Brass Acid Verde (-BAV) Black Acid Treatment (-BAT)



DB-12-75E-BRS
 DB-12-150E-BRS
 DB-12-LED10-BRS
 DB-12-LED60-BRS
 DBR-55-JB-BRS



DB-12-75E
 DB-12-150E
 DB-12-LED10
 DB-12-LED60
 DBR-55-JB

ORDERING INFORMATION

CATALOG NO.	DESCRIPTION	SHIP WEIGHT
TRANSFORMERS:		
DB-12-75E* 1	75w Electronic Halogen Transformer - Composite Cover	1 lbs.
DB-12-150E* 1	150w Electronic Halogen Transformer - Composite Cover	1 lbs.
DB-12-LED10	10w 700mA LED Driver - Composite Cover	1 lbs.
DB-12-60LED	60w LED Transformer - Composite Cover	1 lbs.
DB-12-75E-BRS* 1	75w Electronic Halogen Transformer - Brass Cover	2 lbs.
DB-12-150E-BRS* 1	150w Electronic Halogen Transformer - Brass Cover	2 lbs.
DB-12-LED10-BRS	10w 700mA LED Driver - Brass Cover	2 lbs.
DB-12-60LED-BRS	60w LED Transformer - Brass Cover	2 lbs.

JUNCTION BOXES:

DBR-55-JB	Junction Box- Composite Cover	1 lbs.
DBR-55-JB-BRS	Junction Box- Brass Cover	1 lbs.

*** Important Note:** 75w and 150w electronic transformers are not for use with LED

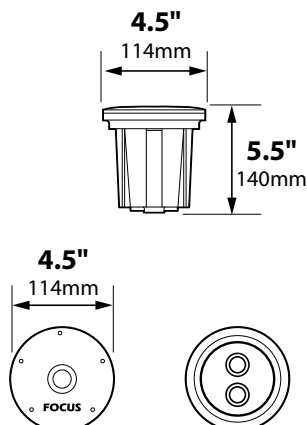
¹IMPORTANT NOTE: Low voltage **electronic transformers** must be tested under load with a analog meter to achieve accurate results. Testing the transformer with a digital meter will produce an invalid reading of "no output". This characteristic is unique to electronic transformers that produce a square sine wave. We recommend use of an analog meter for testing with the transformer loaded to at least 20% of its rated output. Most electronic transformers returned as defective are actually good due to testing methods in the field that did not follow the above requirements.



Shown with
 1/2" NPS tap on cover



(2) 1/2"NPS threaded ports
 available on bottom



JOB INFORMATION	
Type:	Date:
Job Name:	
Cat. No.:	
Lamp(s):	
Specifier:	
Contractor:	
Notes:	
FOCUS INDUSTRIES INC. 25301 COMMERCENTRE DRIVE LAKE FOREST, CA 92630	
www.focusindustries.com sales@focusindustries.com (949) 830-1350 • FAX (949) 830-3390	