



# DIRECT BURIAL HID BALLASTS DB-120 SERIES

TYPE

## SPECIFICATIONS & FEATURES

- Bronze high temperature fiberglass reinforced composite boxes and covers (heavy duty)
- Nema 12 below grade enclosure for direct burial applications
- UL1598 certified
- 1/2" NPS & 3/4" NPS bottom hubs for line voltage input, feed through & output
- 1/2" NPS hubs on cover for fixture and or photocell mounting (consult factory for details)
- Neoprene sponge gasket to keep enclosure dry
- Covers secured with #10 3/4" Flat head stainless steel Phillips screws

### WARRANTY

- 3 year warranty on enclosure
- 3 year warranty on mechanical/electrical components

### INSTALLATION NOTES

- All Direct Burial Junction boxes must be accessible for servicing. Install at highest grade to allow water to run off. Usually 1/2" or 1" higher than grade
- Must be installed away from standing water

**Must be installed by a licensed electrician**

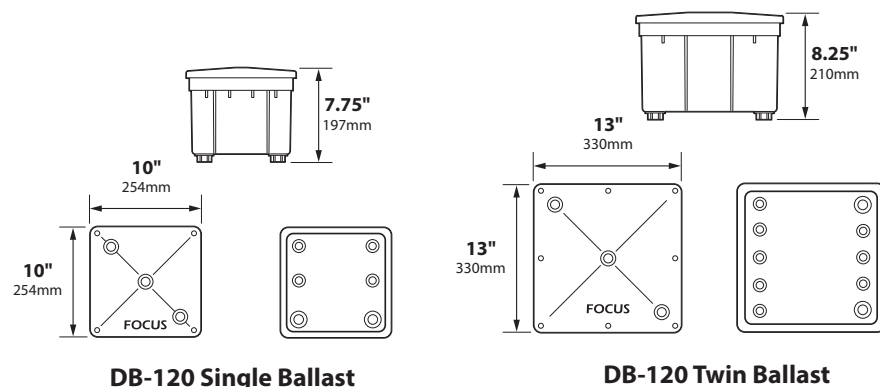
## ORDERING INFORMATION

CATALOG NO.	DESCRIPTION	SHIP WEIGHT
<b>METAL HALIDE:</b>		
DB-120-MH-M130S	120v or 277v Input Metal Halide 35w M130 single ballast	11 lbs.
DB-120-MH-M130T	120v or 277v Input Metal Halide 2x 35w M130 twin ballast	20 lbs.
DB-120-MH-M98S	MV 120v-277v Input Metal Halide 70w M98 single ballast	11 lbs.
DB-120-MH-M98T	MV 120v-277v Input Metal Halide 2x 70w M98 twin ballast	20 lbs.
DB-120-MH-M90S	MV 120v-277v Input Metal Halide 100w M90 single ballast	11 lbs.
DB-120-MH-M90T	MV 120v-277v Input Metal Halide 2x 100w M90 twin ballast	20 lbs.
DB-120-MH-M102S	MV 120v-277v Input Metal Halide 150w M102 single ballast	11 lbs.
DB-120-MH-M102T	MV 120v-277v Input Metal Halide 2x 150w M102 twin ballast	20 lbs.
DB-120-MH-M57S	MV 120v-277v Input Metal Halide 175w M57 single ballast	11 lbs.
DB-120-MH-M57T	MV 120v-277v Input Metal Halide 2x 175w M57 twin ballast	20 lbs.

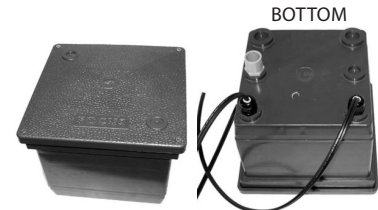
### HIGH PRESSURE SODIUM:

DB-120-HPS-35S	120v Input, HPS 35w S76 single ballast	11 lbs.
DB-120-HPS-50S	120v or 277v Input, HPS 50w S68 single ballast	11 lbs.
DB-120-HPS-70S	MV 120v-277v Input HPS 70w S62 single ballast	11 lbs.
DB-120-HPS-100S	MV 120v-277v Input HPS 100w S54 single ballast	11 lbs.
DB-120-HPS-150S	MV 120v-277v Input HPS 150w S55 single ballast	11 lbs.

Note: HPS only available as single ballasts due to ballast size

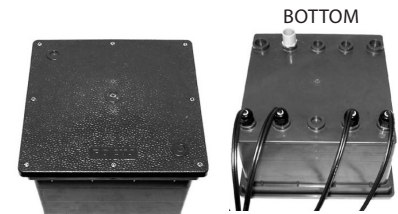


IP66



**DB-120 Single Ballast**

(2) 3/4" NPS and (4) 1/2" NPS threaded ports available on bottom



**DB-120 Twin Ballast**

(4) 3/4" NPS and (6) 1/2" NPS threaded ports available on bottom

### JOB INFORMATION

Type: \_\_\_\_\_ Date: \_\_\_\_\_

Job Name: \_\_\_\_\_

Cat. No.: \_\_\_\_\_

Lamp(s): \_\_\_\_\_

Specifier: \_\_\_\_\_

Contractor: \_\_\_\_\_

Notes: \_\_\_\_\_

**FOCUS INDUSTRIES INC.**  
 25301 COMMERCENTRE DRIVE  
 LAKE FOREST, CA 92630  
 www.focusindustries.com  
 sales@focusindustries.com  
 (949) 830-1350 • FAX (949) 830-3390