



# BARBECUE LIGHTS BQ-16 SERIES



TYPE

## SPECIFICATIONS

### CONSTRUCTION:

- FIXTURE:** Cast 316 stainless steel body and matching angle cap.
- ARM:** 12" 316 stainless steel rigid stem with 16" Stainless steel flex arm on top. Clear polyolefin shrink cover protection on flex arm.
- MOUNT:** Cast 316 stainless steel deck mount canopy
- SWITCH:** On/Off push button with weatherproof rubber boot cover
- LENS:** High impact clear tempered flat glass
- O-RING:** High temperature red silicone
- FINISH:** Stainless Steel - Brushed

### 12v ELECTRICAL SPECIFICATIONS:

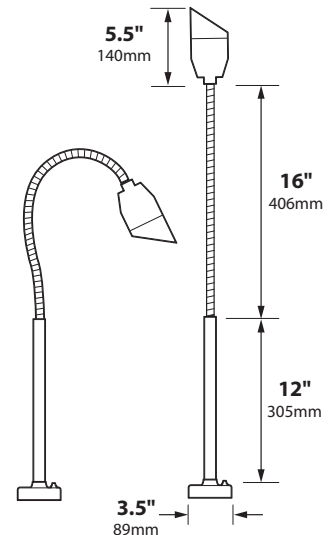
- LEGACY LAMP:** 20w MR16 FL(BAB), 5000 hours average rating (35w max)
- LED LAMP OPTION:** ARROW SAVER 4w MR16 LED (-LAS40); 40,000 hour
- SOCKET:** High temperature ceramic GU5.3 bi-pin with 250°C silicone lead wires
- WIRING:** Black 7 foot 18/2 zip cord from base of fixture  
For 25 foot 16/2 fixture lead wire add **-25F** to catalog number

### 120v ELECTRICAL SPECIFICATIONS:

- LEGACY LAMP:** 35w MR16 medium base, 2000 hours average rating (35w max)
- LED LAMP OPTION:** ARROW 7w PAR16; 40,000 hour
- SOCKET:** High temperature ceramic medium base with 250°C silicone lead wires
- WIRING:** Standard Black, White and Ground 9" lead wires

## ORDERING INFORMATION

CATALOG NO.	DESCRIPTION	LAMP	SHIP WEIGHT
<b>12v</b>			
<b>BQ-16-FD-SS</b>	316 Stainless Steel Flex Deck BBQ Light	20w MR16	4.0 lbs.
<b>BQ-16-FDLAS40-SS</b>	316 Stainless Steel Flex Deck BBQ Light	4W MR16 LED	4.0 lbs.
<b>120v</b>			
<b>BQ-16-FD-MR16120V-SS</b>	316 Stainless Steel Flex Deck BBQ Light	35w MR16	4.0 lbs.
<b>BQ-16-FD-LEDPAR1636-SS</b>	316 Stainless Steel Flex Deck BBQ Light	7w PAR16 LED	4.0 lbs.



JOB INFORMATION	
Type:	Date:
Job Name:	
Cat. No.:	
Lamp(s):	
Specifier:	
Contractor:	
Notes:	
<b>FOCUS INDUSTRIES INC.</b> 25301 COMMERCENTRE DRIVE LAKE FOREST, CA 92630	
www.focusindustries.com sales@focusindustries.com (949) 830-1350 • FAX (949) 830-3390	