



BARBECUE LIGHTS BQ-14-FD SERIES



TYPE

SPECIFICATIONS

CONSTRUCTION:

- FIXTURE:** Cast 316 stainless steel body and matching threaded flat cap.
- ARM:** 12" 316 stainless steel rigid stem with 16" Stainless steel flex arm on top. Clear polyolefin shrink cover protection on flex arm.
- MOUNT:** Cast 316 stainless steel deck mount canopy
- SWITCH:** On/Off push button with weatherproof rubber boot cover
- LENS:** High impact clear tempered flat glass
- O-RING:** High temperature red silicone
- FINISH:** Stainless Steel - Brushed

12v ELECTRICAL SPECIFICATIONS:

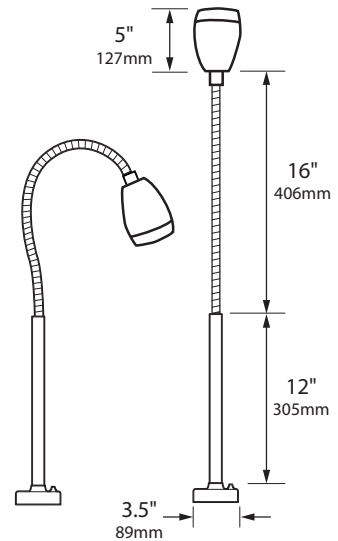
- LEGACY LAMP:** 20w MR16 FL(BAB), 5000 hours average rating (35w max)
- LAMP OPTIONS:** We recommend 50,000 hour ARROW 4w LED (-LED) or 40,000 hour 5w (-LED5) or 7w (-LED7) ARROW Super Saver LED
- SOCKET:** High temperature ceramic GU5.3 bi-pin with 250°C silicone lead wires
- WIRING:** Black 7 foot 18/2 zip cord from base of fixture
For 25 foot 16/2 fixture lead wire add **-25F** to catalog number

120v ELECTRICAL SPECIFICATIONS:

- LEGACY LAMP:** 35w MR16 medium base, 2000 hours average rating (35w max)
- LED LAMP OPTION:** ARROW 7w PAR16; 40,000 hour
- SOCKET:** High temperature ceramic medium base with 250°C silicone lead wires
- WIRING:** Standard Black, White and Ground 9" lead wires

ORDERING INFORMATION

| CATALOG NO. | DESCRIPTION | LAMP | SHIP WEIGHT |
|-------------------------------|---|--------------|-------------|
| 12v | | | |
| BQ-14-FD-SS | 316 Stainless Steel Flex Deck BBQ Light | 20w MR16 | 4.0 lbs. |
| BQ-14-FDLAS40-SS | 316 Stainless Steel Flex Deck BBQ Light | 4W MR16 LED | 4.0 lbs. |
| 120v | | | |
| BQ-14-FD-MR16120V-SS | 316 Stainless Steel Flex Deck BBQ Light | 35w MR16 | 4.0 lbs. |
| BQ-14-FD-LEDPAR1636-SS | 316 Stainless Steel Flex Deck BBQ Light | 7w PAR16 LED | 4.0 lbs. |



| JOB INFORMATION | |
|---|-------|
| Type: | Date: |
| Job Name: | |
| Cat. No.: | |
| Lamp(s): | |
| Specifier: | |
| Contractor: | |
| Notes: | |
| FOCUS INDUSTRIES INC. 25301 COMMERCENTRE DRIVE LAKE FOREST, CA 92630 | |
| www.focusindustries.com sales@focusindustries.com (949) 830-1350 • FAX (949) 830-3390 | |