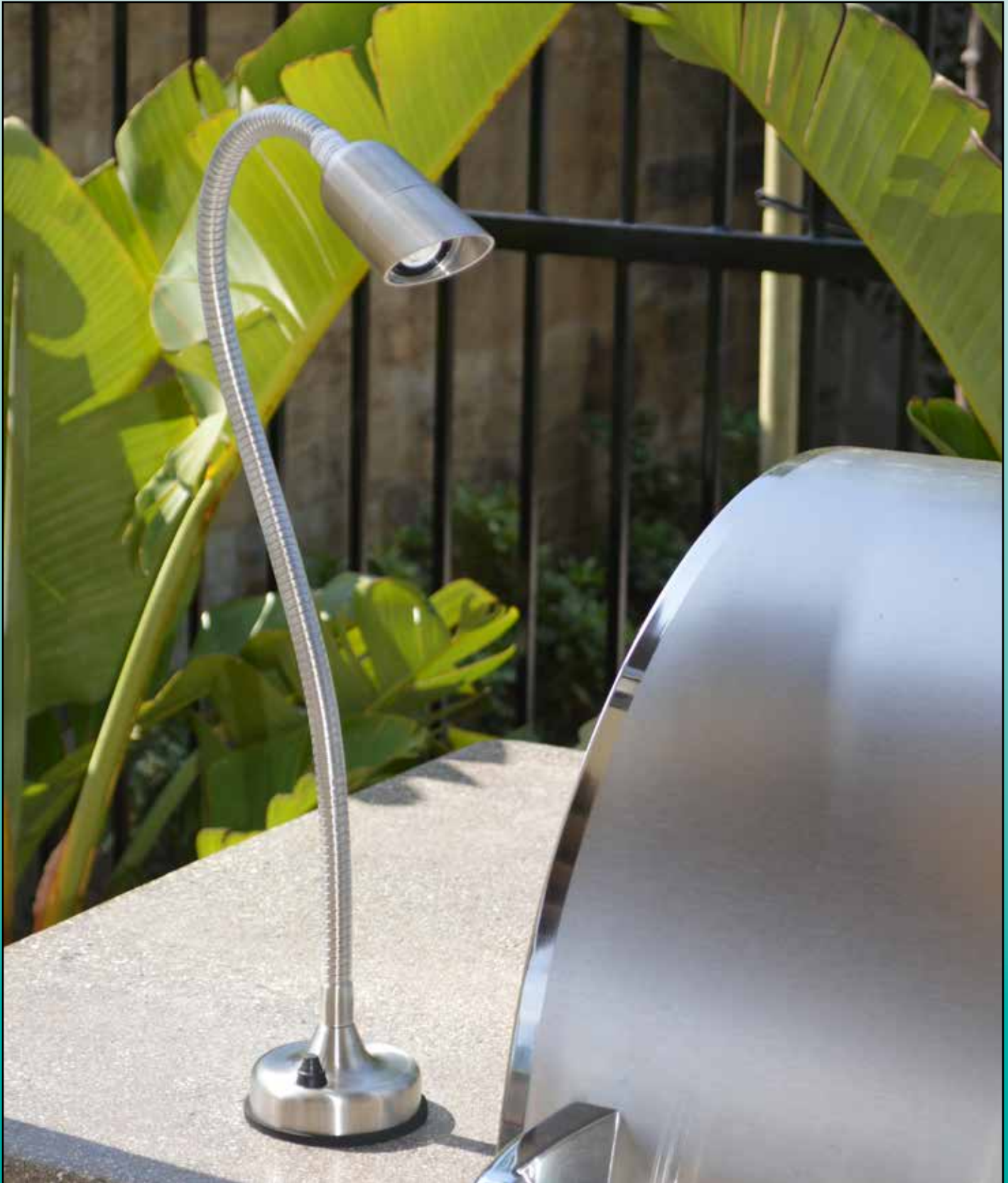




landscape • entertainment • architectural • hospitality • illumination

BQ-09 BARBECUE LIGHTS



25301 COMMERCENTRE DRIVE • LAKE FOREST, CA 92630 • 949.830.1350 • 888.882.1350 • FAX 949.830.3390



BARBECUE LIGHTS

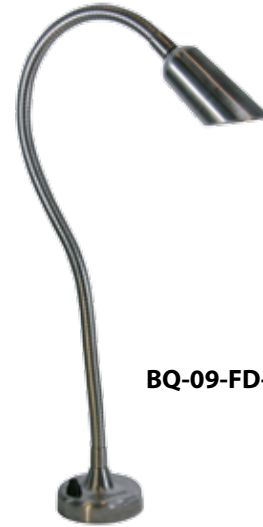
BQ-09-FD SERIES

TYPE

SPECIFICATIONS

CONSTRUCTION:

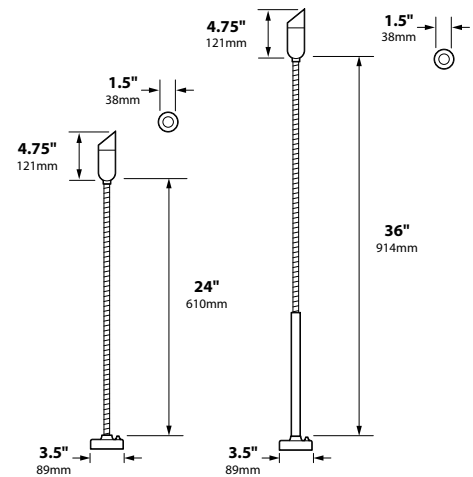
- FIXTURE:** Cast 316 stainless steel, bullet; (consult factory for brass options)
 - FLEX ARM:** 24" Stainless steel flex arm, (36" model available with 12" stainless steel extension)
 - MOUNT:** Cast stainless steel deck mount canopy
 - SWITCH:** On/Off push button with weatherproof rubber boot cover
 - LENS:** High impact clear tempered flat glass
 - LAMP SUPPLIED:** 20w MR11 FL(FTD) 5000 hours average rating (20w max)
 - SOCKET:** High temperature ceramic GU5.3 bi-pin with 250°C silicone lead wires
 - WIRING:** Black 7 foot 18/2 zip cord from base of fixture
For 25 foot 16/2 fixture lead wire add -25F to catalog number
 - O-RING:** High temperature red silicone
 - FINISH:** Stainless Steel - Brushed
- Stainless steel BBQ lights that are painted are non-returnable, no exceptions**



BQ-09-FD-SS

ORDERING INFORMATION

CATALOG NO.	DESCRIPTION	LAMP	SHIP WEIGHT
BQ-09-FD-SS	316 Stainless Steel BBQ Light, Flex Deck with 24" Flex Arm	20w MR11 FL(FTD)	4.0 lbs.
BQ-09-FD36-SS	316 Stainless Steel BBQ Light, Flex Deck with 36" Flex Arm	20w MR11 FL(FTD)	5.0 lbs.



BQ-09-FD

BQ-09-FD36



JOB INFORMATION	
Type:	Date:
Job Name:	
Cat. No.:	
Lamp(s):	
Specifier:	
Contractor:	
Notes:	
FOCUS INDUSTRIES INC. 25301 COMMERCENTRE DRIVE LAKE FOREST, CA 92630	
www.focusindustries.com sales@focusindustries.com (949) 830-1350 • FAX (949) 830-3390	

Black Texture (Standard)	Antique Verde	Bronze Texture	Camel	White Texture	Hunter Texture	Rust	Weathered Iron	Weathered Brown	Stucco	Rubbed Verde	Chrome Powder	Acid Rust	Acid Verde	Black Acid Treatment
-BLT	-ATV	-BRT	-CAM	-WTX	-HTX	-RST	-WIR	-WBR	-STU	-RBV	-CPR	-BAR/CAR	-BAV/CAV	-BAT