



BARBECUE LIGHTS BQ-09-FD SERIES

TYPE

SPECIFICATIONS

CONSTRUCTION:

FIXTURE: Cast 316 stainless steel body

ARM: 12" 316 stainless steel rigid stem with 16" stainless flex arm on top.
Clear polyolefin shrin cover protection of flex arm

LENS: High impact clear tempered flat glass

LAMP SUPPLIED: 3w MR11(-L68) LED Super Saver , 40,000 hours

SOCKET: High temperature ceramic GU5.3 bi-pin with 250°C silicone lead wires

WIRING: Black 7 foot 18/2 zip cord from base of fixture
For 25 foot 16/2 fixture lead wire add -25F to catalog number

O-RING: High temperature red silicone

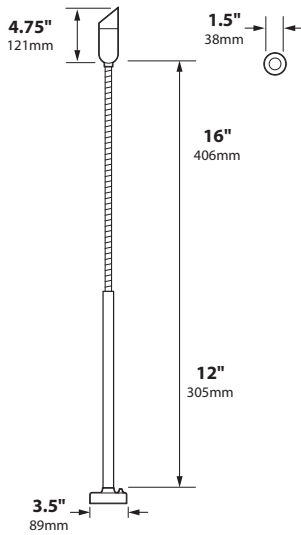
FINISH: Stainless Steel - Brushed



BQ-09-FD-L68-SS

ORDERING INFORMATION

CATALOG NO.	DESCRIPTION	LAMP	SHIP WEIGHT
BQ-09-FD-L68-SS	316 Stainless Steel Flex Deck BBQ Light	3w MR11 LED SS	5.0 lbs.
BQ-09-FC-L68-SS	316 Stainless Steel Flex Deck 5" clamp Mount BBQ Light	3w MR11 LED SS	5.0 lbs.
BQ-09-QCS-L68-SS	316 Stainless Steel Flex Deck, Quick connect Mount BBQ Light	3w MR11 LED SS	5.0 lbs.
BQ-09-WB-L68-SS	316 Stainless Steel Flex Deck Weighted base BBQ Light	3w MR11 LED SS	5.0 lbs.



BQ-09



JOB INFORMATION	
Type:	Date:
Job Name:	
Cat. No.:	
Lamp(s):	
Specifier:	
Contractor:	
Notes:	
FOCUS INDUSTRIES INC. 25301 COMMERCENTRE DRIVE LAKE FOREST, CA 92630	
www.focusindustries.com sales@focusindustries.com (949) 830-1350 • FAX (949) 830-3390	

Black Texture (Standard)	Antique Verde	Bronze Texture	Camel	White Texture	Hunter Texture	Rust	Weathered Iron	Weathered Brown	Stucco	Rubbed Verde	Chrome Powder	Acid Rust	Acid Verde	Black Acid Treatment
-BLT	-ATV	-BRT	-CAM	-WTX	-HTX	-RST	-WIR	-WBR	-STU	-RBV	-CPR	-BAR/CAR	-BAV/CAV	-BAT