



landscape • entertainment • architectural • hospitality • illumination

# BQ-09 BARBECUE LIGHTS



25301 COMMERCENTRE DRIVE • LAKE FOREST, CA 92630 • 949.830.1350 • 888.882.1350 • FAX 949.830.3390



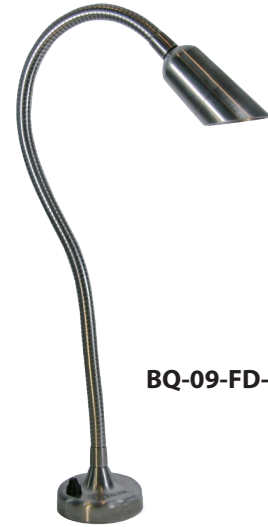
# BARBECUE LIGHTS BQ-09-FD SERIES

**TYPE**

## SPECIFICATIONS

### CONSTRUCTION:

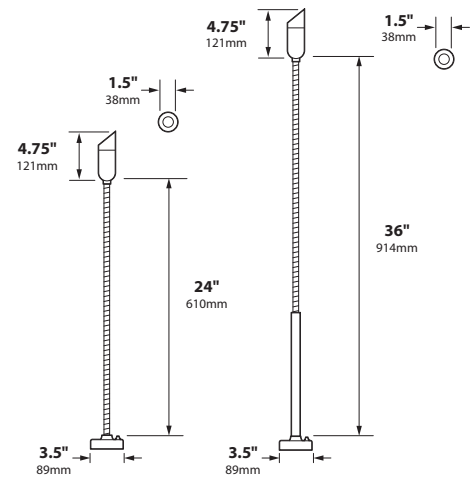
- FIXTURE:** Cast 316 stainless steel, bullet; (consult factory for brass options)
- FLEX ARM:** 24" Stainless steel flex arm, (36" model available with 12" stainless steel extension)
- MOUNT:** Cast stainless steel deck mount canopy
- SWITCH:** On/Off push button with weatherproof rubber boot cover
- LENS:** High impact clear tempered flat glass
- LAMP SUPPLIED:** 20w MR11 FL(FTD) 5000 hours average rating (20w max)
- SOCKET:** High temperature ceramic GU5.3 bi-pin with 250°C silicone lead wires
- WIRING:** Black 7 foot 18/2 zip cord from base of fixture  
For 25 foot 16/2 fixture lead wire add -25F to catalog number
- O-RING:** High temperature red silicone
- FINISH:** Stainless Steel - Brushed



**BQ-09-FD-SS**

## ORDERING INFORMATION

CATALOG NO.	DESCRIPTION	LAMP	SHIP WEIGHT
<b>BQ-09-FD-SS</b>	316 Stainless Steel BBQ Light, Flex Deck with 24" Flex Arm	20w MR11 FL(FTD)	4.0 lbs.
<b>BQ-09-FD36-SS</b>	316 Stainless Steel BBQ Light, Flex Deck with 36" Flex Arm	20w MR11 FL(FTD)	5.0 lbs.



**BQ-09-FD**

**BQ-09-FD36**



JOB INFORMATION	
Type:	Date:
Job Name:	
Cat. No.:	
Lamp(s):	
Specifier:	
Contractor:	
Notes:	
<b>FOCUS INDUSTRIES INC.</b> 25301 COMMERCENTRE DRIVE LAKE FOREST, CA 92630	
www.focusindustries.com sales@focusindustries.com (949) 830-1350 • FAX (949) 830-3390	