



# AREA LIGHTS AL-22-01 SERIES



TYPE

## SPECIFICATIONS

**CONSTRUCTION:** Spun copper Bell hat with brass ball finial & brass components; Brass 20" stanchion

**LENS:** High Impact / High Temp frosted acrylic

**LAMP OPTIONS:** We recommend 3w 50,000 hours average rating OMNI-3 LED (-LED3) or OMNI-3 Super Saver (-LED3SS) 10,000 hours average rating 20w Xenon (-X) or 20w Halogen (-H)

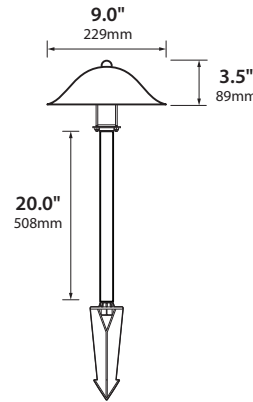
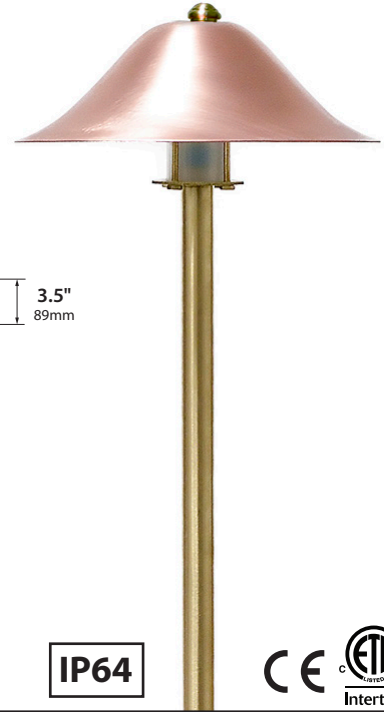
**SOCKET:** Single contact bayonet, brass nickel plated lamp socket screw shell (Ba15s)

**WIRING:** Black 3 foot 18/2 zip cord from base of fixture  
For 25 foot 16/2 fixture lead wire add -25F to catalog number.

**CONNECTION:** FA-05 Quick Connector (not supplied) from fixture to main cable

**MOUNTING:** FA-03-LG Large Black 9" ABS stake, tapped 1/2" NPS

**FINISH:** Unfinished Copper. Optional finishes available.



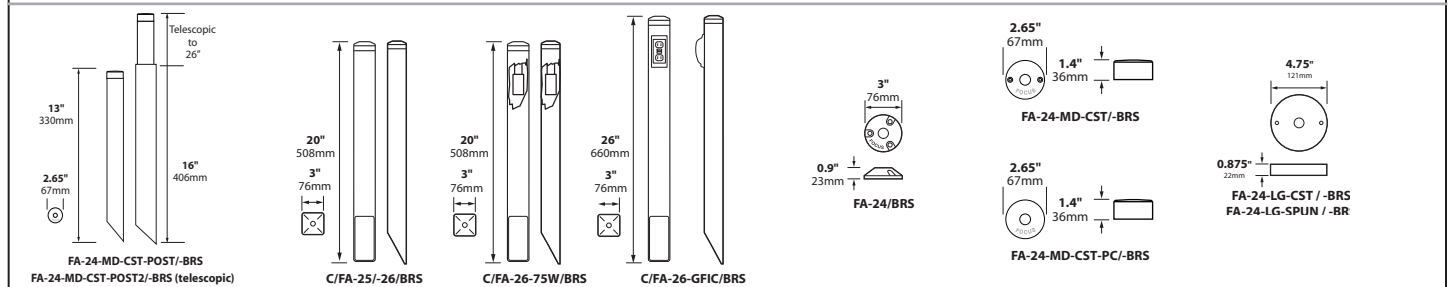
IP64



## ORDERING INFORMATION

CATALOG NO.	DESCRIPTION	LAMP	SHIP WEIGHT
AL22-01-LED3-COP	Copper 9" Bell Hat Area Light	3w LED	3.0 lbs.
AL22-01-H-COP	Copper 9" Bell Hat Area Light	20w Halogen	3.0 lbs.
AL22-01-X-COP	Copper 9" Bell Hat Area Light	20w Xenon	3.0 lbs.

## MOUNTING ACCESSORIES



## JOB INFORMATION

Type: \_\_\_\_\_ Date: \_\_\_\_\_

Job Name: \_\_\_\_\_

Cat. No.: \_\_\_\_\_

Lamp(s): \_\_\_\_\_

Specifier: \_\_\_\_\_

Contractor: \_\_\_\_\_

Notes: \_\_\_\_\_

FOCUS INDUSTRIES INC.  
25301 COMMERCENTRE DRIVE  
LAKE FOREST, CA 92630

www.focusindustries.com  
sales@focusindustries.com  
(949) 830-1350 • FAX (949) 830-3390

Black Texture (Standard)	Antique Verde	Bronze Texture	Camel	White Texture	Hunter Texture	Rust	Weathered Iron	Weathered Brown	Stucco	Rubbed Verde	Chrome Powder	Acid Rust	Acid Verde	Black Acid Treatment
-BLT	-ATV	-BRT	-CAM	-WTX	-HTX	-RST	-WIR	-WBR	-STU	-RBV	-CPR	-BAR/CAR	-BAV/CAV	-BAT