



COMMERCIAL POST AREA LIGHTS

AL-15-CP SERIES

TYPE

SPECIFICATIONS

CONSTRUCTION: Cast aluminum or cast brass Tiki Hat; matching 3" OD extruded aluminum or brass post

LENS: Tempered flat glass

LIGHT SOURCE: 7w ARROW Super Saver MR16 LED or 15w LED module

LIFETIME RATING: 40,000 / 50,000 hours

12v INTERNAL DRIVER: On board. Voltage range of 9 to 18 volts with optimum operating range of 10 to 15 volts for consistent performance and brightness.

For use with magnetic transformers only.

120v INTERNAL DRIVER: HW-12-60LED transformer

SOCKET MR16: High temperature ceramic GU5.3 bi-pin with 250°C silicone lead wires

SOCKET LED MODULE: None - LED is hard wired inside fixture

WIRING: Black 3 foot 18/2 zip cord from base of fixture (12v only)

For 25 foot 16/2 fixture lead wire add -25F to catalog number.

120v standard black/white/green wiring

STANDARD MOUNTING: Deck mount U-bracket with 4 mounting screws

STAKE MOUNTING (-S): 24" x 3"OD ABS stake with 4 mounting screws

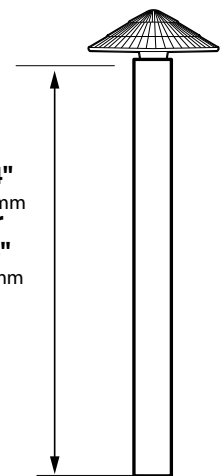
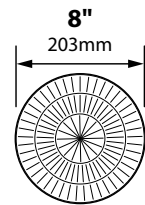
FINISH: Aluminum - Black texture polyester powder coat. Optional finishes available

Brass - Unfinished brass. Optional finishes available.



ORDERING INFORMATION

CATALOG NO.	DESCRIPTION	LAMP	SHIP WEIGHT
STANDARD DECK MOUNT:			
12v			
AL-15-CP24MR-BLT	Aluminum Tiki Hat & 24" Post, Deck Mount, Black Texture	7w MR16 LED	10 lbs.
AL-15-CP36MR-BLT	Aluminum Tiki Hat & 36" Post, Deck Mount, Black Texture	7w MR16 LED	10 lbs.
AL-15-CP24LM-BLT	Aluminum Tiki Hat & 24" Post, Deck Mount, Black Texture	15W LED MODULE	10 lbs.
AL-15-CP36LM-BLT	Aluminum Tiki Hat & 36" Post, Deck Mount, Black Texture	15W LED MODULE	10 lbs.
AL-15-CP24MR-BRS			
Brass Tiki Hat & 24" Post, Deck Mount			
AL-15-CP36MR-BRS			
Brass Tiki Hat & 36" Post, Deck Mount			
AL-15-CP24LM-BRS			
Brass Tiki Hat & 24" Post, Deck Mount			
AL-15-CP36LM-BRS			
Brass Tiki Hat & 36" Post, Deck Mount			
120v			
AL-15-CP24MR120-BLT	Aluminum Tiki Hat & 24" Post, Deck Mount, Black Texture	7w MR16 LED	10 lbs.
AL-15-CP36MR120-BLT	Aluminum Tiki Hat & 36" Post, Deck Mount, Black Texture	7w MR16 LED	10 lbs.
AL-15-CP24LM120-BLT	Aluminum Tiki Hat & 24" Post, Deck Mount, Black Texture	15W LED MODULE	10 lbs.
AL-15-CP36LM120-BLT	Aluminum Tiki Hat & 36" Post, Deck Mount, Black Texture	15W LED MODULE	10 lbs.
AL-15-CP24MR120-BRS			
Brass Tiki Hat & 24" Post, Deck Mount			
AL-15-CP36MR120-BRS			
Brass Tiki Hat & 36" Post, Deck Mount			
AL-15-CP24LM120-BRS			
Brass Tiki Hat & 24" Post, Deck Mount			
AL-15-CP36LM120-BRS			
Brass Tiki Hat & 36" Post, Deck Mount			
STAKE MOUNT SERIES:			
12v			
AL-15-CP24S-MR-BLT	Aluminum Tiki Hat & 24" Post, Stake Mount, Black Texture	7w MR16 LED	10 lbs.
AL-15-CP36S-MR-BLT	Aluminum Tiki Hat & 36" Post, Stake Mount, Black Texture	7w MR16 LED	10 lbs.
AL-15-CP24S-LM-BLT	Aluminum Tiki Hat & 24" Post, Stake Mount, Black Texture	15W LED MODULE	10 lbs.
AL-15-CP36S-LM-BLT	Aluminum Tiki Hat & 36" Post, Stake Mount, Black Texture	15W LED MODULE	10 lbs.
AL-15-CP24S-MR-BRS			
Brass Tiki Hat & 24" Post, Stake Mount			
AL-15-CP36S-MR-BRS			
Brass Tiki Hat & 36" Post, Stake Mount			
AL-15-CP24S-LM-BRS			
Brass Tiki Hat & 24" Post, Stake Mount			
AL-15-CP36S-LM-BRS			
Brass Tiki Hat & 36" Post, Stake Mount			
120v			
AL-15-CP24S-MR120-BLT	Aluminum Tiki Hat & 24" Post, Stake Mount, Black Texture	7w MR16 LED	10 lbs.
AL-15-CP36S-MR120-BLT	Aluminum Tiki Hat & 36" Post, Stake Mount, Black Texture	7w MR16 LED	10 lbs.
AL-15-CP24S-LM120-BLT	Aluminum Tiki Hat & 24" Post, Stake Mount, Black Texture	15W LED MODULE	10 lbs.
AL-15-CP36S-LM120-BLT	Aluminum Tiki Hat & 36" Post, Stake Mount, Black Texture	15W LED MODULE	10 lbs.
AL-15-CP24S-MR120-BRS			
Brass Tiki Hat & 24" Post, Stake Mount			
AL-15-CP36S-MR120-BRS			
Brass Tiki Hat & 36" Post, Stake Mount			
AL-15-CP24S-LM120-BRS			
Brass Tiki Hat & 24" Post, Stake Mount			
AL-15-CP36S-LM120-BRS			
Brass Tiki Hat & 36" Post, Stake Mount			



IP54

CE



Intertek

Black Texture (Standard)	Antique Verde	Bronze Texture	Camel	White Texture	Hunter Texture	Rust	Weathered Iron	Weathered Brown	Stucco	Rubbed Verde	Chrome Powder	Acid Rust	Acid Verde	Black Acid Treatment
-BLT	-ATV	-BRT	-CAM	-WTX	-HTX	-RST	-WIR	-WBR	-STU	-RBV	-CPR	-BAR/CAR	-BAV/CAV	-BAT

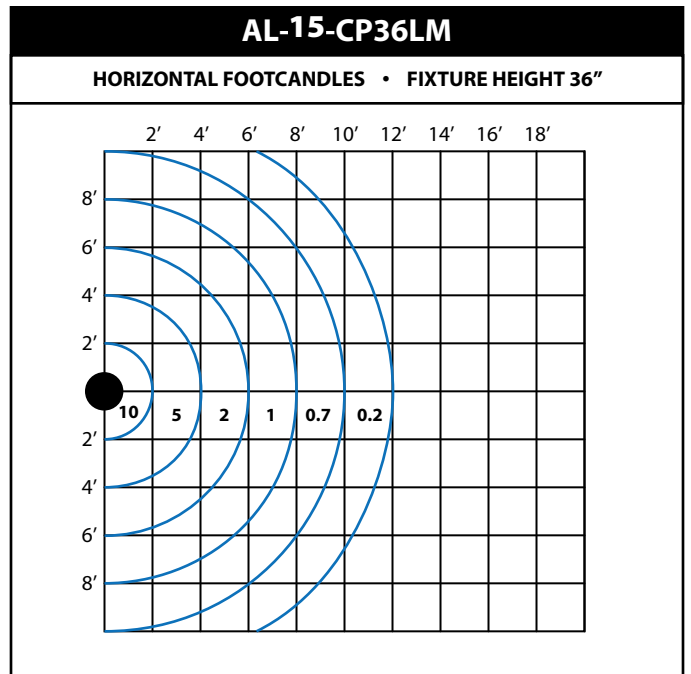
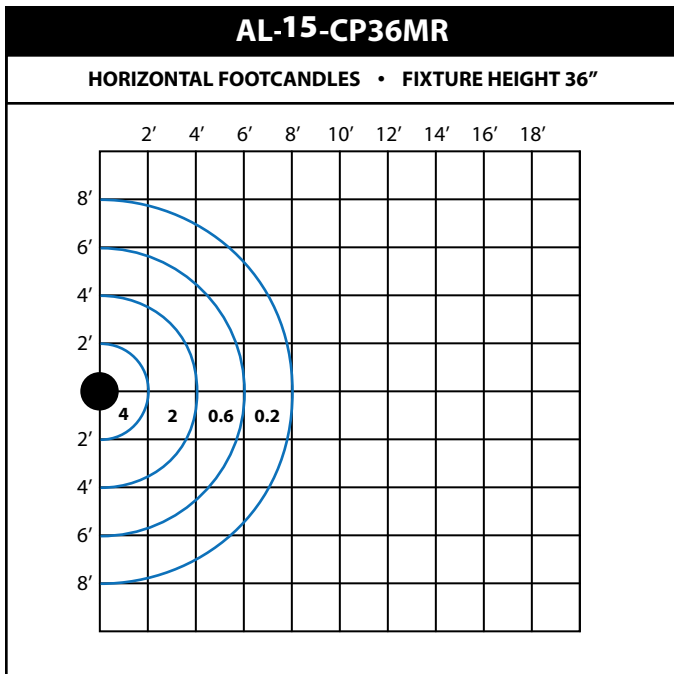
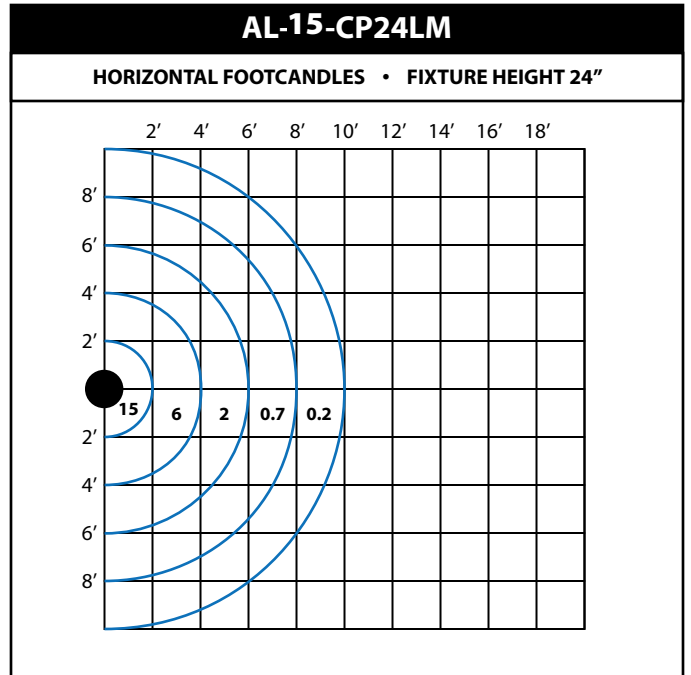
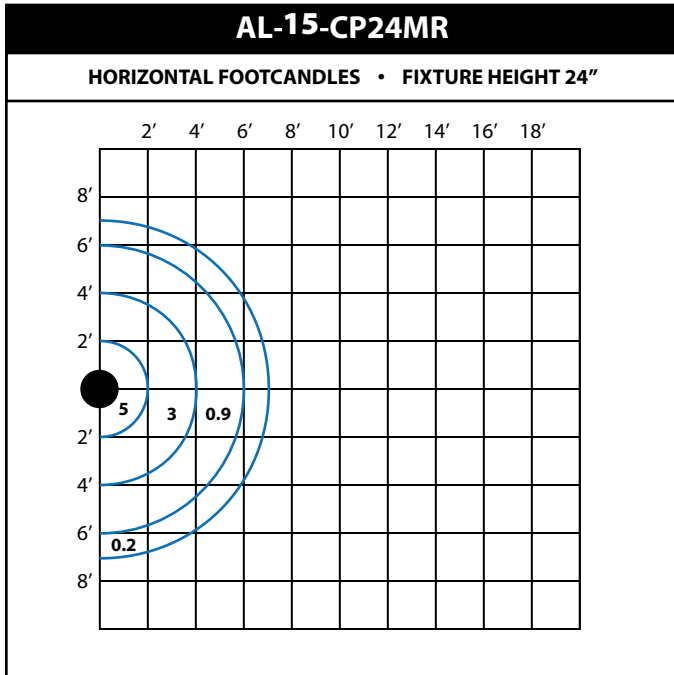


COMMERCIAL POST AREA LIGHTS

AL-15-CP SERIES

TYPE

LIGHT DISTRIBUTIONS AND PHOTOMETRICS



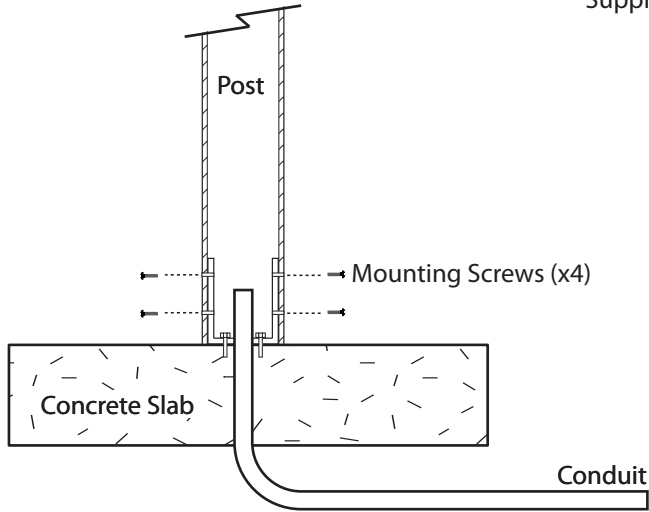


COMMERCIAL POST AREA LIGHTS AL-15-CP SERIES

TYPE

U-BRACKET DECK MOUNT MODELS

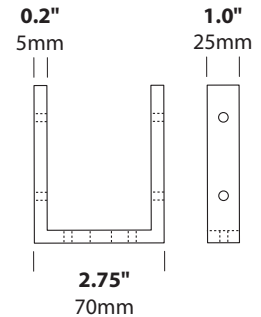
Concrete Mounting Bolts/Anchors
Supplied by Others



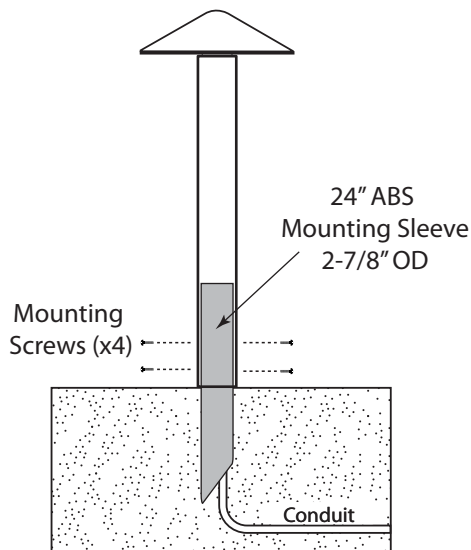
Post Dimensions



Steel U-Bracket Detail

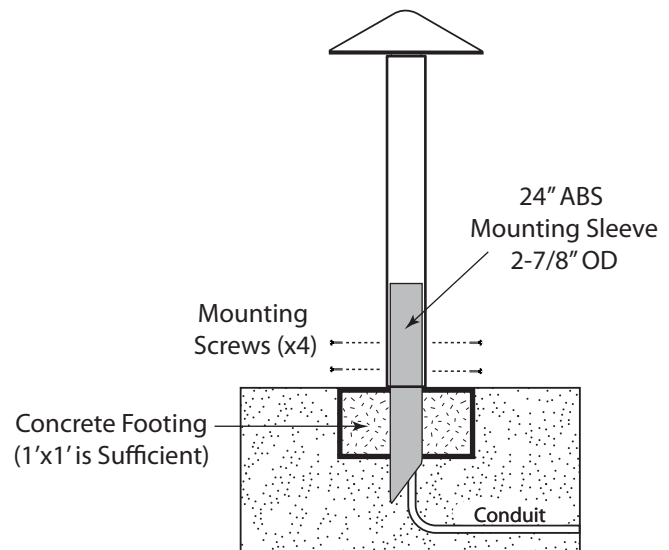


STAKE MOUNT MODELS (-S)



EARTH MOUNT

Attach ABS Mounting Sleeve to post with four supplied screws.
Stake fixture into ground and pack down ground around post.



CONCRETE FOOTING MOUNT

Set ABS Mounting Sleeve into ground.
Pour concrete footing around Mounting Sleeve 1 foot by 1 foot is sufficient.
After concrete dries, slide fixture post over Mounting Sleeve and attach with four supplied screws