



landscape • entertainment • architectural • hospitality • illumination

AL-05 SERIES AREA LIGHTS





AREA LIGHTS AL-05 SERIES



TYPE

SPECIFICATIONS

CONSTRUCTION: Cast aluminum or cast brass China Hat; matching extruded aluminum or brass stanchion

LAMP SUPPLIED: 18w S8 #1141; 1200 hours average rating (25w max.)

LAMP OPTIONS: We recommend 3w 50,000 hours average rating OMNI-3 LED (-LED3) or OMNI-3 Super Saver (-LED3SS) 10,000 hours average rating 20w Xenon (-X) or 20w Halogen (-H)

SOCKET: Single contact bayonet, brass nickel plated lamp socket screw shell (Ba15s); double contact bayonet base (Ba15d) for 120v, both with 200° C silicone lead wires

WIRING: Black 3 foot 18/2 zip cord from base of fixture (12v only)

For 25 foot 16/2 fixture lead wire add -25F to catalog number.
120v standard wiring

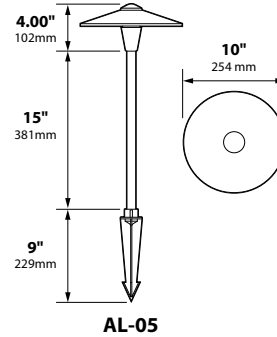
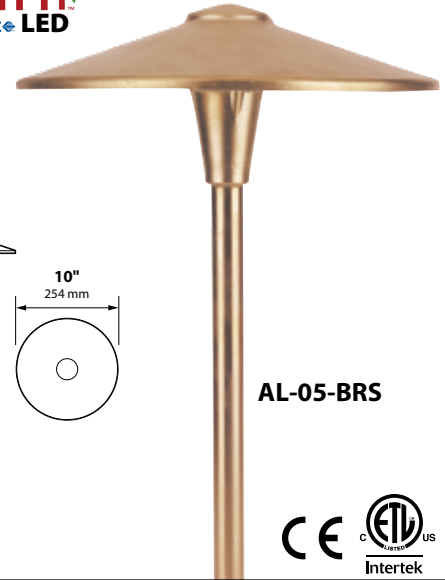
CONNECTION: FA-05 Quick Connector (not supplied) from fixture to main cable (12/2, 10/2 or 8/2 only) 12v only

MOUNTING: FA-03 black 9" ABS stake, tapped 1/2" NPS

FINISH: Aluminum-Black texture polyester powder coat. Optional finishes available.
Brass-Unfinished brass. Optional finishes available.

ORDERING INFORMATION

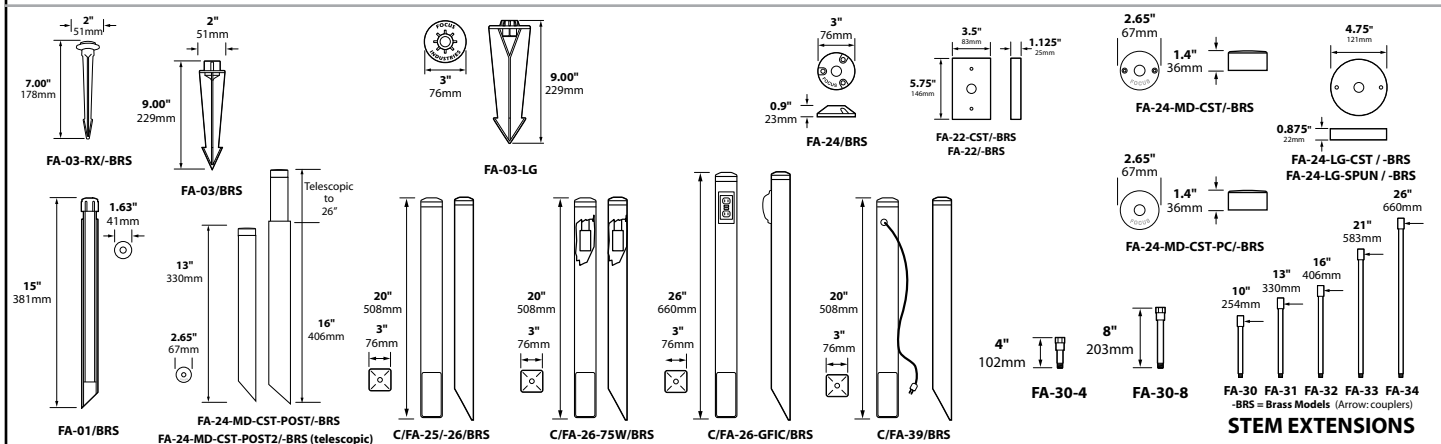
CATALOG NO.	DESCRIPTION	LAMP	SHIP WEIGHT
AL-05-BLT	Cast Aluminum 10" China Hat	18w S8 #1141	3.0 lbs.
AL-05-BRS	Cast Brass 10" China Hat	18w S8 #1141	4.0 lbs.



AL-05-BRS



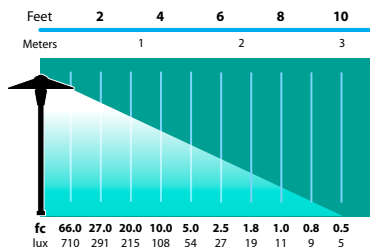
MOUNTING ACCESSORIES



BEAM/GLARE CONTROL ACCESSORIES

- FA-97-5 AL-05 Sprinkler Guard / Glare Shield
- AH Add to catalog # for Adjustable Hub

LIGHT DISTRIBUTIONS AND PHOTOMETRICS



AL-05

Half Spread Photometrics
20 ft. (6.0m) diameter

JOB INFORMATION

Type: _____ Date: _____

Job Name: _____

Cat. No.: _____

Lamp(s): _____

Specifier: _____

Contractor: _____

Notes: _____

FOCUS INDUSTRIES INC.
25301 COMMERCENTRE DRIVE
LAKE FOREST, CA 92630

www.focusindustries.com
sales@focusindustries.com
(949) 830-1350 • FAX (949) 830-3390

Black Texture (Standard)	Antique Verde	Bronze Texture	Camel	White Texture	Hunter Texture	Rust	Weathered Iron	Weathered Brown	Stucco	Rubbed Verde	Chrome Powder	Acid Rust	Acid Verde	Black Acid Treatment
-BLT	-ATV	-BRT	-CAM	-WTX	-HTX	-RST	-WIR	-WBR	-STU	-RBV	-CPR	-BAR/CAR	-BAV/CAV	-BAT