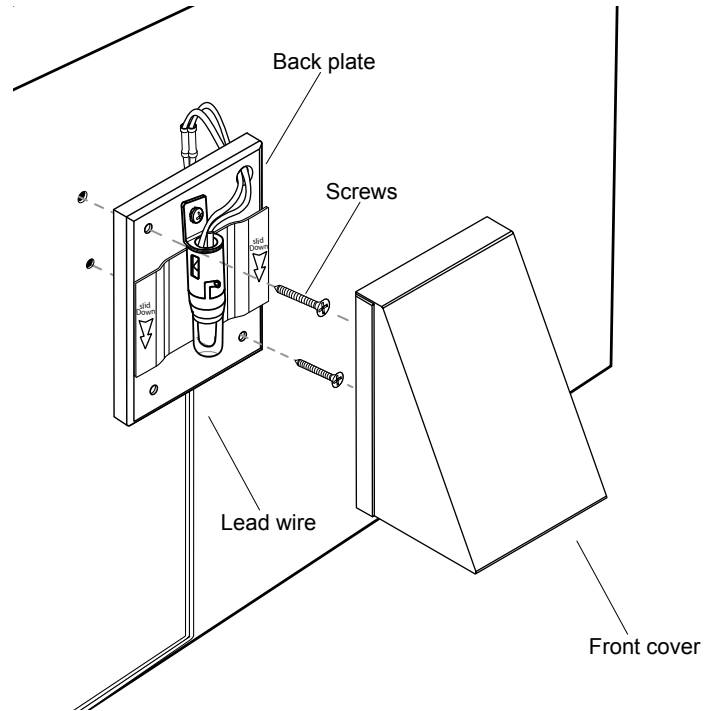


INSTALLATION FOR WALLS, WOOD DECKS AND STEPS:

NOTE: To prevent electrical shock, disconnect transformer from electrical supply before installation or service.

1. Remove front cover by sliding up and off of back plate.
2. Using back plate as a template, position on final mounting location and mark hole locations for screws.
3. Drill (2) 7/64" pilot holes for #6 mounting screws (supplied.)
4. Install back plate with (2) #6 mounting screws and secure tightly with Phillips #2 screwdriver.
5. Slide front cover down on to the back plate.
6. Run fixture lead wire to main 12V supply cable and connect. We recommend using our **FA-05 Quick Connector** (sold separately) or approved gel filled wire nut.
7. Turn on 12V power supply and check for proper operation.

NOTE: Wire can be run down the bottom of fixture and attached to surface using staples. Create a relief on surface when surface mounting. Or, for cleaner installation, a hole can be drilled to pull wire through the back of surface to hide wiring.



Light bulb INSTALLATION/REPLACEMENT

1. Turn off power to fixture before servicing.
2. Remove front cover by sliding up and off of back plate.
3. For single or double contact bayonet base light bulbs: press light bulb into socket and rotate counter clockwise to release light bulb. For bi-pin light bulbs: pull light bulb out of socket.
4. Replace light bulb with correct type and wattage marked on fixture label.
5. Replace front cover and turn on power to check for proper operation.

CAUTION: Do not exceed maximum wattage marked on fixture label.

IMPORTANT SAFETY INSTRUCTIONS TO REDUCE THE RISK OF FIRE AND INJURY TO PERSONS:

1. Light bulb gets hot quickly; turn off, unplug/disconnect and allow to cool down before replacing the light bulb.
2. **DO NOT** touch hot lens, use guard or enclosure.
3. **DO NOT** look into light bulb when on.
4. Keep light bulb away from materials that may burn.
5. Use only with wattage/light bulb marked on fixture warning and instructions.
6. Use the correct light bulb base with the correct socket.
7. **DO NOT** touch light bulb at anytime. Use a lint-free cloth when handling the Halogen light bulbs as oil from skin may damage light bulb and shorten light bulb life.
8. **DO NOT** operate fixture with missing or damaged shield or lens.